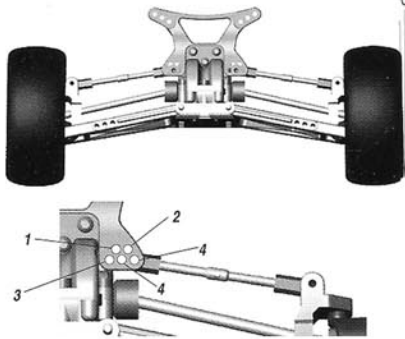




| | | | | |
|----------|----------------------|----------------------|--------------------------------------|------------------------------------|
| Name: | Date: | Event: | Track Conditions | |
| City: | State: | Track: | Time: _____ | Air Temp: _____ °F or °C |
| Country: | Qualified: | Finish: | <input type="checkbox"/> Indoor | <input type="checkbox"/> Tight |
| E-mail: | Best Lap Time / sec: | Avg. Lap Time / sec: | <input type="checkbox"/> Outdoor | <input type="checkbox"/> Open |
| Phone: | Note: | | Hard Packed <input type="checkbox"/> | <input type="checkbox"/> Low Bite |
| | | | Loose <input type="checkbox"/> | <input type="checkbox"/> Med Bite |
| | | | Surface Content _____ | <input type="checkbox"/> High Bite |

Front suspension



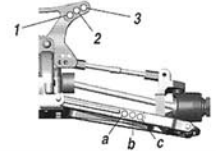
Ride Height _____
 Camber Angle _____ °
 Castor Block _____ °
 Toe-in/Toe-out _____ °

Camber Rod Pos _____
 Sway Bar Thickness _____

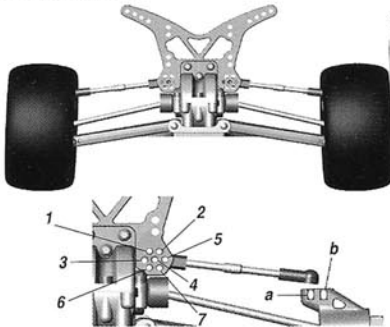
Front shocks



Piston _____
 Oil _____
 Spring _____
 Bladder Yes / No _____
 O-rings Above Bladder _____
 Shock position _____
 Limiting _____



Rear suspension



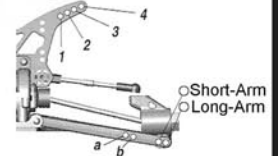
Ride Height _____
 Camber Angle _____ °
 Anti Squat _____ °
 Toe-in _____ °
 Shims Under Front Pivot _____
 Shims Under Rear Pivot _____

Camber Rod Pos _____
 Sway Bar Thickness _____

Rear shocks

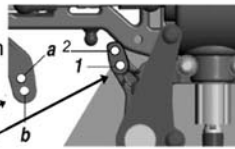


Piston _____
 Oil _____
 Spring _____
 Bladder Yes / No _____
 O-rings Above Bladder _____
 Shock position _____
 Limiting _____



Steering

Steering Link Position _____
 Ackerman Bar Length _____ mm
 Shims Under Stud _____
 Shims Under Stud _____



Front Drive

One Way
 Spool
 Differential



Motor _____ Servo _____
 Turns _____ ESC _____
 Brushes _____ Receiver _____
 Springs _____ Battery _____
 Timing _____ Transponder Location _____

Slipper

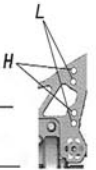
Yes No

Length Of Slip in Feet _____

One-Way On Center Shaft Yes No

Wing position

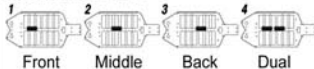
Wing _____
 Wing angle _____



Motor & Battery location



Center Roll Block



Tires: Brand/Compound _____ Insert _____ Additive _____
 Front: _____
 Rear: _____

NOTES: _____ Spur Gear _____
 _____ Pinion Gear _____