

# MATRIX PRO

Track \_\_\_\_\_ Driver \_\_\_\_\_  
 Conditions \_\_\_\_\_ Date \_\_\_\_\_

## Setup Sheet

### Front Suspension

Toe  In \_\_\_\_\_  
 Out \_\_\_\_\_

Camber \_\_\_\_\_

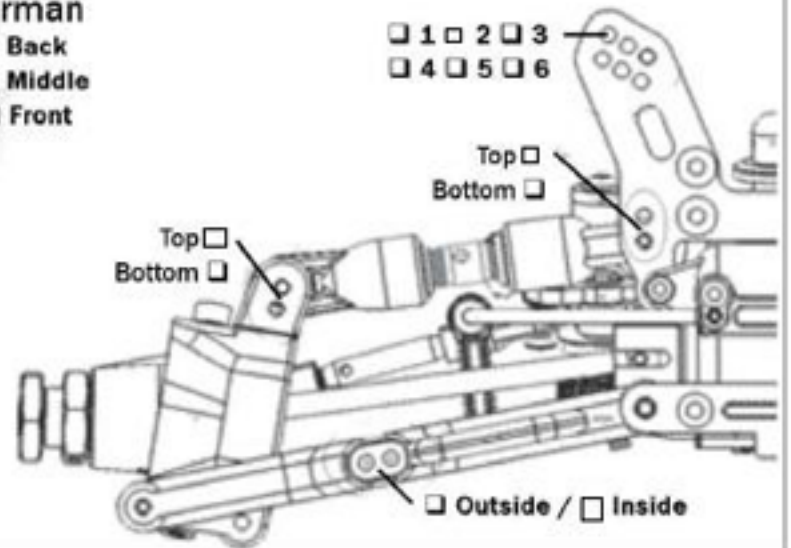
Ride Height \_\_\_\_\_

Droop \_\_\_\_\_

Sway Bar  Yes  No size \_\_\_\_\_

#### Front Shocks

Oil \_\_\_\_\_  
 Piston \_\_\_\_\_ Standard /  Drilled  
 Spring \_\_\_\_\_



### Rear Suspension

Toe In & Antisquat block \_\_\_\_\_

Camber \_\_\_\_\_

Ride Height \_\_\_\_\_

Droop \_\_\_\_\_

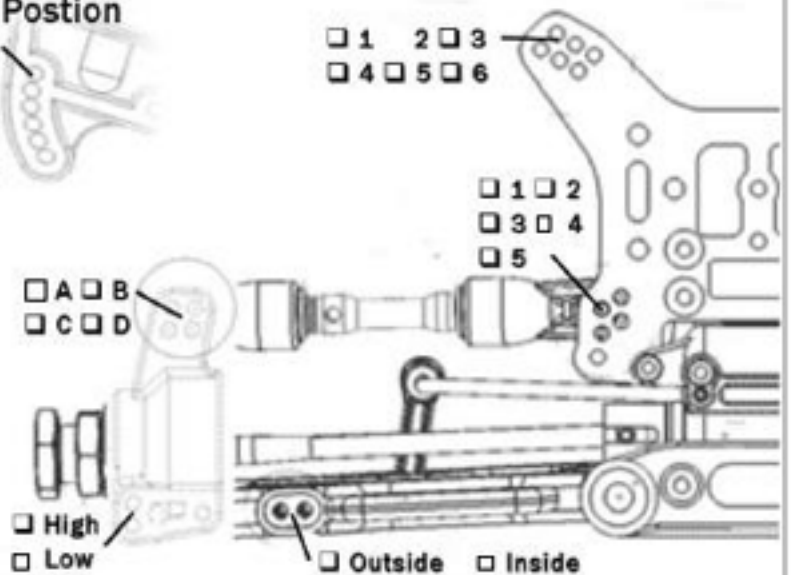
Sway Bar  Yes  No size \_\_\_\_\_

#### Rear Shocks

Oil \_\_\_\_\_  
 Piston \_\_\_\_\_  Standard /  Drilled  
 Spring \_\_\_\_\_

#### Wing Position

- 1
- 2
- 3
- 4
- 5
- 6



### Tires

Front \_\_\_\_\_ Insert \_\_\_\_\_ Compound \_\_\_\_\_ Wheel \_\_\_\_\_  
 Rear \_\_\_\_\_ Insert \_\_\_\_\_ Compound \_\_\_\_\_ Wheel \_\_\_\_\_

### Engine

Brand \_\_\_\_\_  
 Glow Plug \_\_\_\_\_  
 Clutch \_\_\_\_\_  
 Notes \_\_\_\_\_

### Brakes

Type (  Stock ) \_\_\_\_\_ Bias (front/rear) \_\_\_\_\_ / \_\_\_\_\_

### Notes

### Diffs

Front \_\_\_\_\_ Center \_\_\_\_\_ Rear \_\_\_\_\_  
 Brand \_\_\_\_\_

