

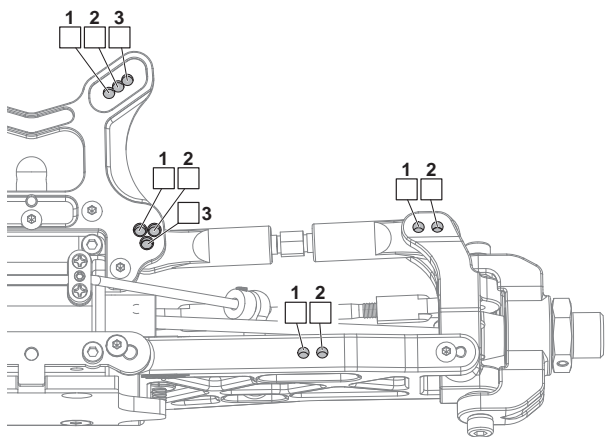


Setup Sheet



Name _____ Date _____ Event _____ Temp Air _____ Track _____
 Track _____ Track Condition Indoor Tight Smooth Hard Packed Blue Groove Wet Low Bite High Bite
 Outdoor Open Rough Loose/Loamy Dry Dusty Med Bite Other

Front

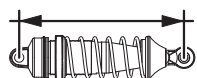


Ride Height _____ mm

Camber Angle _____ °

Toe Angle _____ °

Sway Bar _____ mm



Shocks

Front _____ Rear _____

Piston _____

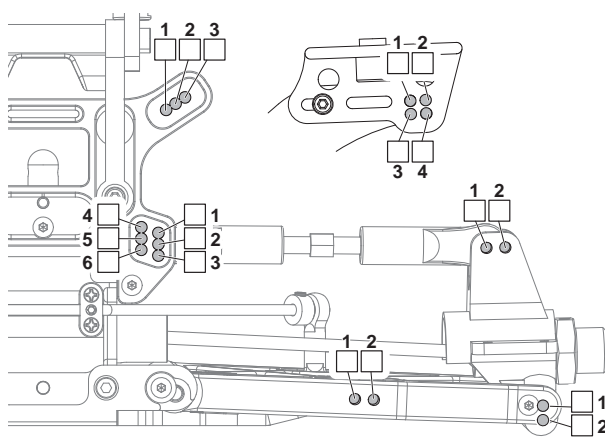
Oil wt. _____

Bladder _____

Spring _____

Shock Length _____ mm _____ mm

Rear



Ride Height _____ mm

Camber Angle _____ °

Toe Angle _____ °

Sway Bar _____ mm

Tires

Front _____ Rear _____

Brand _____

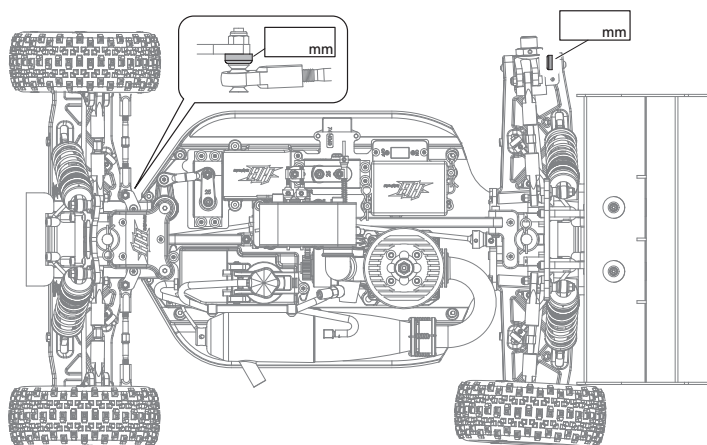
Compound _____

Insert _____

Wheel _____

Notes _____

Chassis



Note _____

Diff

Front _____ Center _____ Rear _____

Brand _____

Oil wt. _____

Motor

Engine _____ Spur Gear _____

Glow Plug _____ Pinion Gear _____

Fuel _____ Clutch _____

Pipe _____ Note _____



HOT BODIES USA
 70 Icon Street
 Foothill Ranch, CA 92610 USA
 (949) 753-1099
 (888) 349-4474 Customer Service

HotBodies Distributor in Asia
 HPI Japan
 3-22-20 Takaoka-kita, Naka-ku,
 Hamamatsu, Shizuoka, 433-8119, JAPAN
 053-430-0770

HOT BODIES DISTRIBUTOR IN EUROPE
 HPI Europe Ltd.
 21 William Nadin Way, Swadlincote,
 Derbyshire, DE11 0BB, UK
 (44) 01283 229400