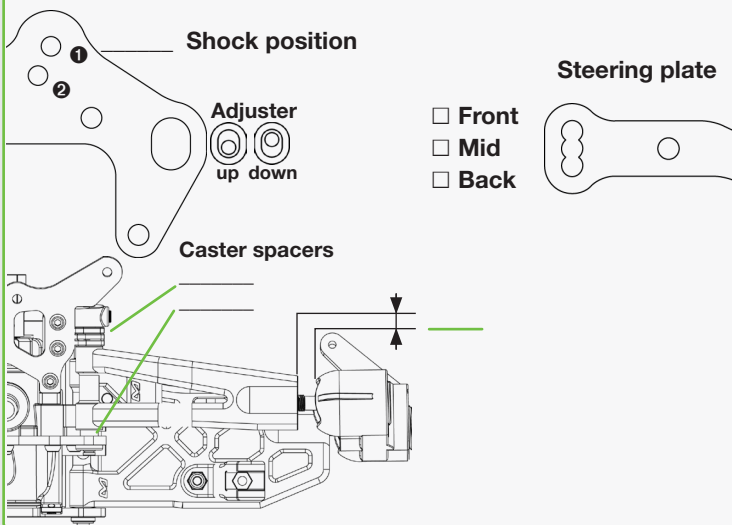


RAVE M.I.O.S M.I.O.R Setup Sheet

Driver: _____
 Date: _____
 Track: _____

Front suspension

Anti-roll bar: _____ Wheelbase: _____
 Camber angle: _____ Toe angle: _____



Front suspension

Spring: _____ Shock Oil: _____
 Piston Hole: _____ Spacer: _____

Front Tires

Tire: _____ Compound: _____
 Insert: _____ Wheel: _____

Differentials

Front - Oil: _____ Shims: _____
 Center - Oil: _____ Shims: _____
 Rear - Oil: _____ Shims: _____

Clutch bell / Spur gear

Clutch bell: _____ Spur gear: _____
 Clutch spring: _____
 Clutch shoes: _____

Wing

Type: _____ 

Engine

Engine: _____ T°: _____
 Glow plug: _____ Muffler: _____
 Note: _____

Fuel

Type: _____
 Nitro: _____
 Note: _____

Weather

T°: _____
 Sunny / Cloudy / Rainy: _____
 Other: _____

Race result - Qualify

Race time / laps: _____ Nb laps: _____
 Best lap: _____

Race result - Final

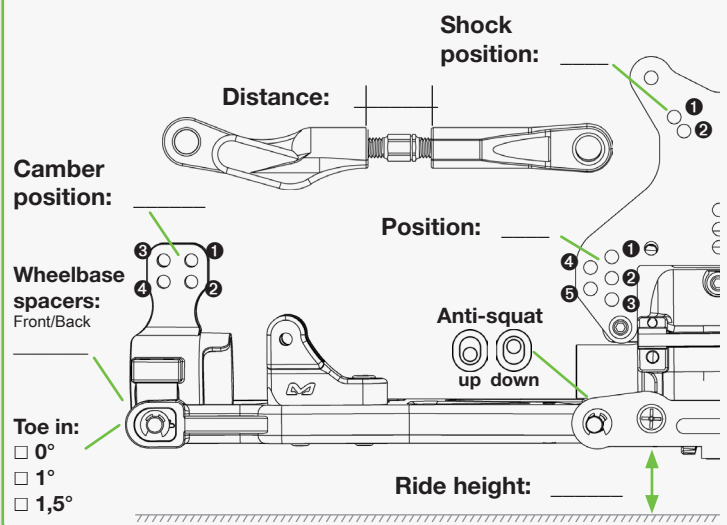
Race time / laps: _____ Nb laps: _____
 Best lap: _____ Place: _____

Track info & comment

Smooth: Bumpy: Groove:
 Traction: high medium low
 Dirt: Grass: Clay:
 Dusty: Wet:

Rear suspension

Anti-roll bar: _____ Wheelbase: _____
 Camber angle: _____ Toe angle: _____



Rear suspension

Spring: _____ Shock Oil: _____
 Piston: _____ Spacer: _____ Length: _____

Rear Tires

Tire: _____ Compound: _____
 Insert: _____ Wheel: _____