

Jammin Mini CRT.5 Set-Up Sheet

Date: _____

Driver: _____

Track: _____ / _____

Air Temp: _____ Surface Dsc. _____

Avg. Lap Time: _____ "

Front Suspension

Shock Spring: _____

Shock Piston: / /

Shock Oil wt: _____ 0 _____

Shock Length: _____ mm
(Center to Center)

Toe-IN: _____

Toe-Out: _____

Front Ride Height: _____

Sway Bar: _____

Camber: Neg: _____

Pos: _____

Caster Angle:

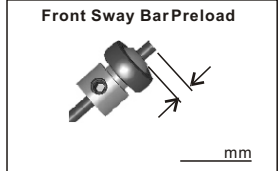
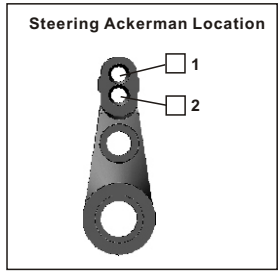
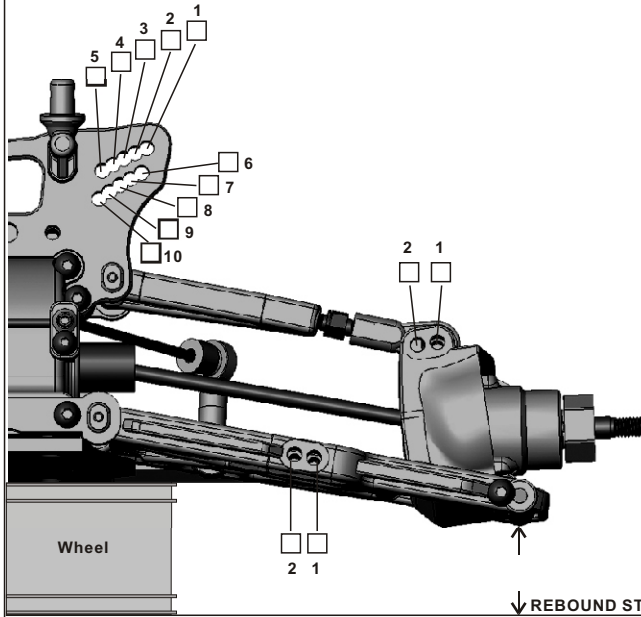


(F/F)

F/F	<input type="checkbox"/>	<input type="checkbox"/>	<input type="checkbox"/>
F/R	<input type="checkbox"/>	<input type="checkbox"/>	<input type="checkbox"/>
	22	21	20
	23	22	21
	24	23	22



(F/R)



Notes: _____

Rear Suspension

Shock Spring: _____

Shock Piston: / /

Shock Oil wt: _____

Shock Length: _____ mm
(Center to Center)

Rear Ride Height: _____ mm

Sway Bar: _____

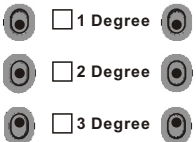
Camber: Neg: _____

Pos: _____

Anti-Squat Plate



R/F

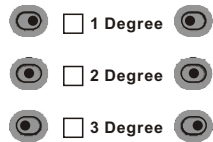


(Right = Left)

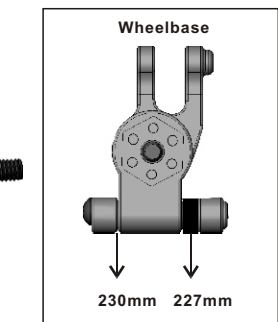
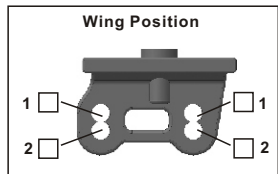
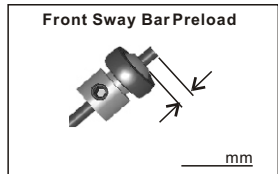
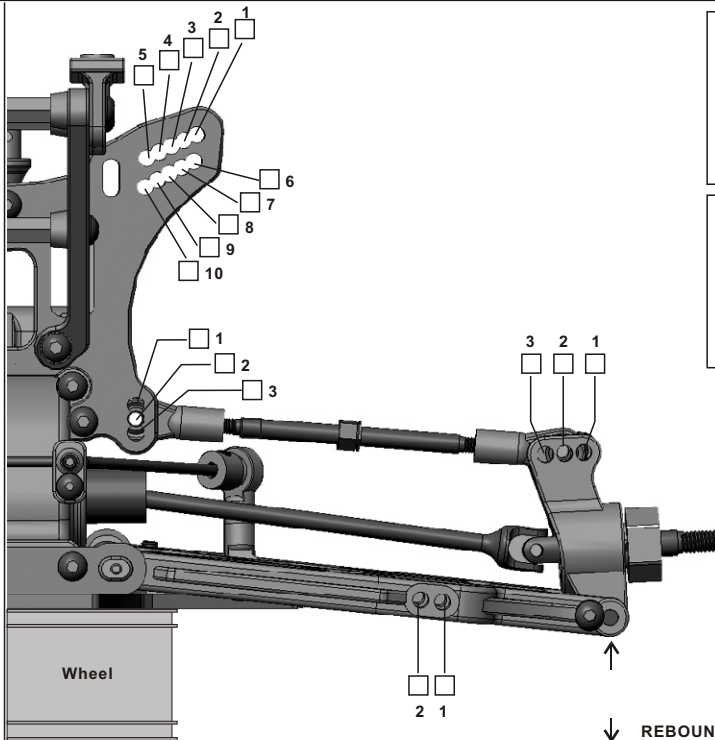
Rear Toe-In Plate



R/R



(Right = Left)



Differential

Front Type _____ Oil _____

Center Type _____ Oil _____

Rear Type _____ Oil _____

Tires

Front Type: Brand _____ Compound _____ Foam: _____

Rear Type: Brand _____ Compound _____ Foam: _____

Note: _____

Engine

Type: _____

Head Clearance _____

Pipe: _____

Fuel: _____ % Plug _____

Needle (Top) _____ (Bottom) _____

CLUTCH

Shoe Brand _____ Compound _____

Spring Brand _____ Tension _____

Gearing: _____ T _____ T TO T

Note: _____