

# X2-CR PRO Set-Up Sheet

TRACK: SIZE	TRACTION:	SURFACE:
<input type="checkbox"/> OPEN	<input type="checkbox"/> HIGH	<input type="checkbox"/> DUST
<input type="checkbox"/> MEDIUM	<input type="checkbox"/> MEDIUM	<input type="checkbox"/> MEDUM
<input type="checkbox"/> TIGHT	<input type="checkbox"/> LOW	<input type="checkbox"/> BUMPY

Driver: \_\_\_\_\_

Date: \_\_\_\_\_ / \_\_\_\_\_ / \_\_\_\_\_ Air Temp: \_\_\_\_\_  F  C

## Front Suspension

Shock Spring: \_\_\_\_\_ Blue \_\_\_\_\_

Shock Piston:  Standard  Drilled \_\_\_\_\_

Shock Oil wt: \_\_\_\_\_

Shock Length (Center to Center) \_\_\_\_\_ mm

Toe-IN:  \_\_\_\_\_

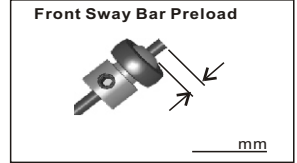
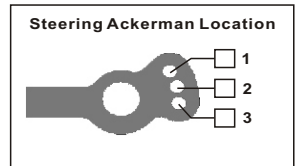
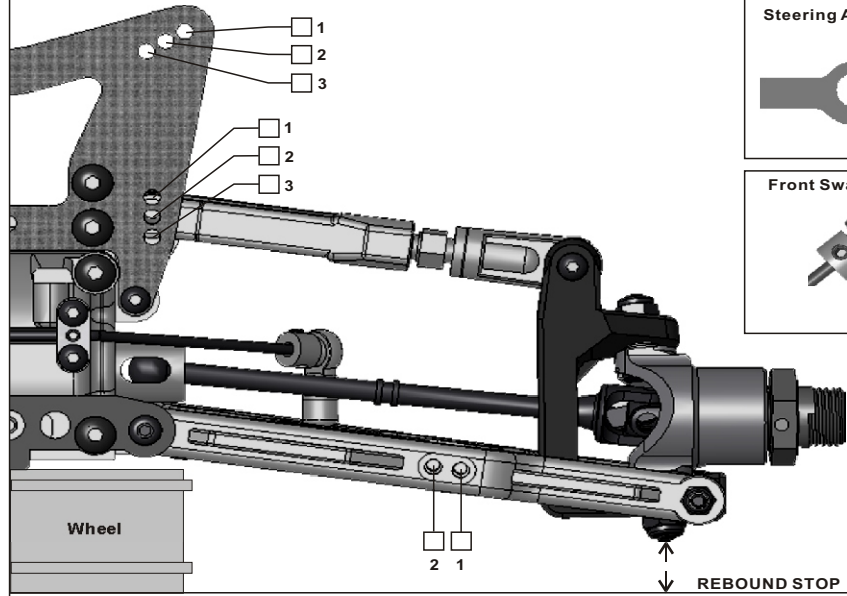
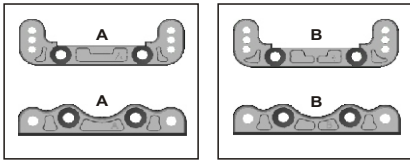
Toe-Out:  \_\_\_\_\_

Front Ride Height: \_\_\_\_\_ mm

Sway Bar:  2mm  2.3mm  2.5mm  
 \_\_\_\_\_  None

Camber:  Neg: \_\_\_\_\_  
 Pos: \_\_\_\_\_

Caster Block:  A/A  B/B \_\_\_\_\_



Notes: \_\_\_\_\_

## Rear Suspension

Shock Spring: \_\_\_\_\_ Blue \_\_\_\_\_

Shock Piston:  Standard  Drilled \_\_\_\_\_

Shock Oil wt: \_\_\_\_\_

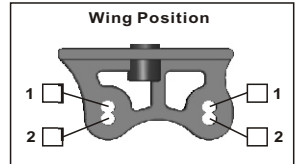
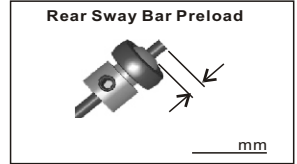
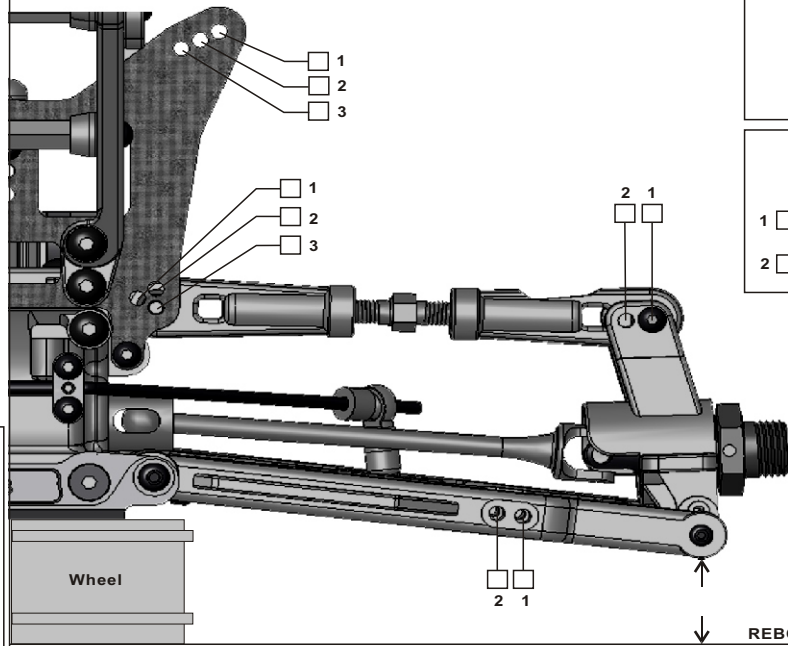
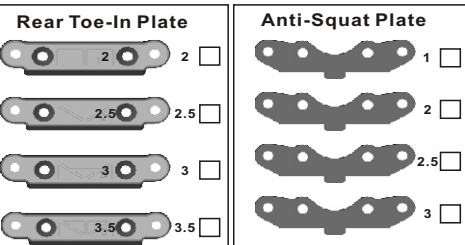
Shock Length (Center to Center) \_\_\_\_\_ mm

Rear Ride Height: \_\_\_\_\_ mm

Sway Bar:  2.3mm  2.5mm  2.8mm  
 \_\_\_\_\_  None

Camber:  Neg: \_\_\_\_\_  
 Pos: \_\_\_\_\_

Rear Hub/Wheelbase:  Forward  Middle  
 Back



## Differential

Front Type:  STD  Torsen Oil: \_\_\_\_\_ K

Center Type:  STD  Torsen Oil: \_\_\_\_\_ K

Rear Type:  STD  Torsen Oil: \_\_\_\_\_ K

## Tires

Front Type: \_\_\_\_\_ Compound \_\_\_\_\_ Insert Foam: \_\_\_\_\_

Rear Type: \_\_\_\_\_ Compound \_\_\_\_\_ Insert Foam: \_\_\_\_\_

Note: \_\_\_\_\_

## Engine

Type: \_\_\_\_\_ Port: \_\_\_\_\_

Plug: \_\_\_\_\_  Normal  Turbo

Head Clearance: \_\_\_\_\_

Pipe: \_\_\_\_\_

Fuel Brand: \_\_\_\_\_ / \_\_\_\_\_ %

## CLUTCH

Shoe Brand: \_\_\_\_\_ Compound \_\_\_\_\_ ALUM:  Blue  Purple

Spring Brand: \_\_\_\_\_ Tension \_\_\_\_\_ mm

Gearing:  16T  17T To  44T  45T

Note: \_\_\_\_\_

Clutch Shoes:  
 2 Shoe  
 3 Shoe  
 4 Shoe  
 \_\_\_\_\_