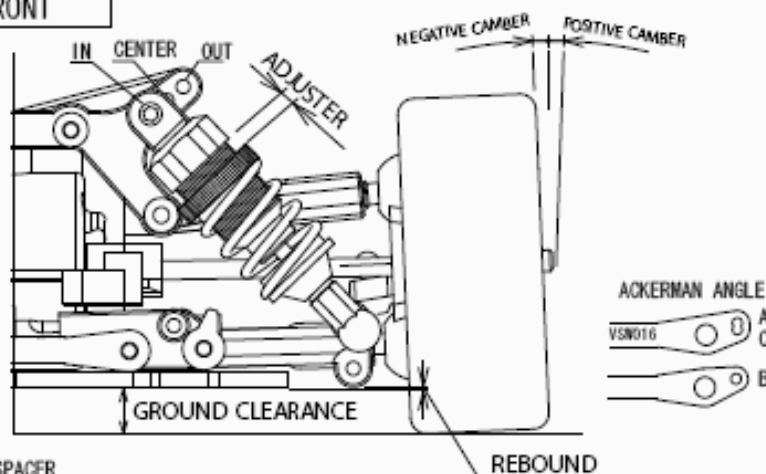
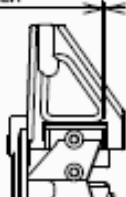


NAME		TEMP	°C	ENGINE		MUFFLER		MANIFOLD	
DATA		HUMIDITY	%	HEAD CLEARANCE	mm	FUEL TYPE			
TRACK		TRACTION	%	PLUG No.		RADIO			

FRONT



SPACER



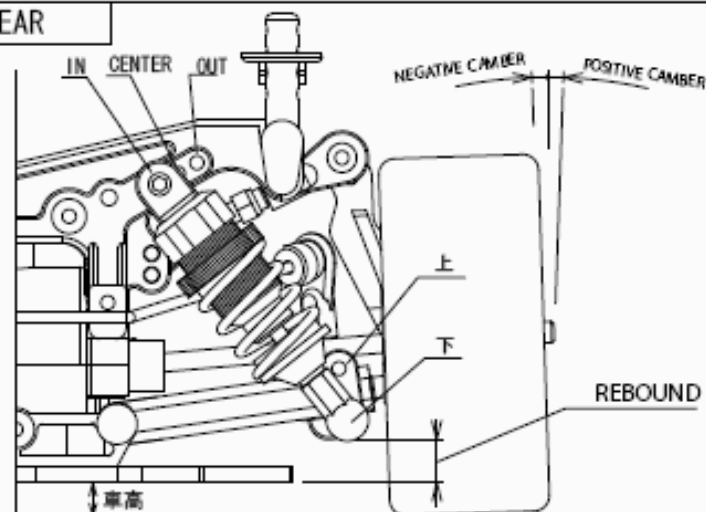
CASTER	ANGLE
2mm	10°
1mm	8°
0mm	6°

DIFF. / ONEWAY		
RING GEAR	39T	40T
ACKERMAN ANGLE	A B C	
ST D/R		%

SHOCK OIL 300 350 400 450 500 550 600 700

SHOCK PISTON	
SPRING	S B G
SPRING ADJUSTER	mm
SHOCK POS	IN CENTER OUT
CASTER ANGLE	mm
CAMBER ANGLE	OG/1G 0 0.5 1.0 1.5 2.0
TOE ANGLE	mm
FRONT WIDTH	mm
REBOUND STOP	mm
STABILIZER BAR	
TIRE TYPE	
TIRE SIZE	
WHEEL	
GROUND CLEARANCE	mm

REAR



RING GEAR 39T			
GEAR	TOTAL	GEAR	TOTAL
20	50	7.50	25 45 5.40
20	51	7.65	25 46 5.52
21	50	7.14	26 45 5.19
21	51	7.28	26 46 5.30
22	50	6.81	27 45 5.00
22	51	6.95	27 46 5.11

RING GEAR 40T			
GEAR	TOTAL	GEAR	TOTAL
20	50	7.69	25 45 5.54
20	51	7.85	25 46 5.66
21	50	7.33	26 45 5.33
21	51	7.47	26 46 5.44
22	50	6.99	27 45 5.13
22	51	7.13	27 46 5.24

SHOCK OIL 300 350 400 450 500 550 600 700

SHOCK PISTON	N
SPRING	S B G
SPRING ADJUSTER	mm
SHOCK POS	IN CENTER OUT
SHOCK POS	U / L
UPPER ARM POS	IN(U/L)-OUT(U/L)
CAMBER ANGLE	OG/1G 0 0.5 1.0 1.5 2.0 2.5 3.0
TOE ANGLE	
REAR WIDTH	mm
REBOUND STOP	mm
STABILIZER BAR	SILVER BLACK GOLD
REAR SUS. HOLDER	H L
DIFF OIL	#
TIRE TYPE	
TIRE SIZE	
WHEEL	
GROUND CLEARANCE	mm
BODY	
GEAR	20 21 22 / 25 26 27
GEAR	50 51 / 45 46
RING GEAR	39T 40T
CLUCH SHOE	
CLUCH SPRING	

MEMO.