

NAME	DATA	RACE	TRACK	ROAD SURFACE PATTERN CARPET - URETHANE - FLOORING - TILE
------	------	------	-------	---

CHASSIS : STD SP SKELETON SP COLOR

WHEEL BASE : M L

ANTENNA : STD SHAPE MEMORY ANTENNA

BALL BEARING : Yes No

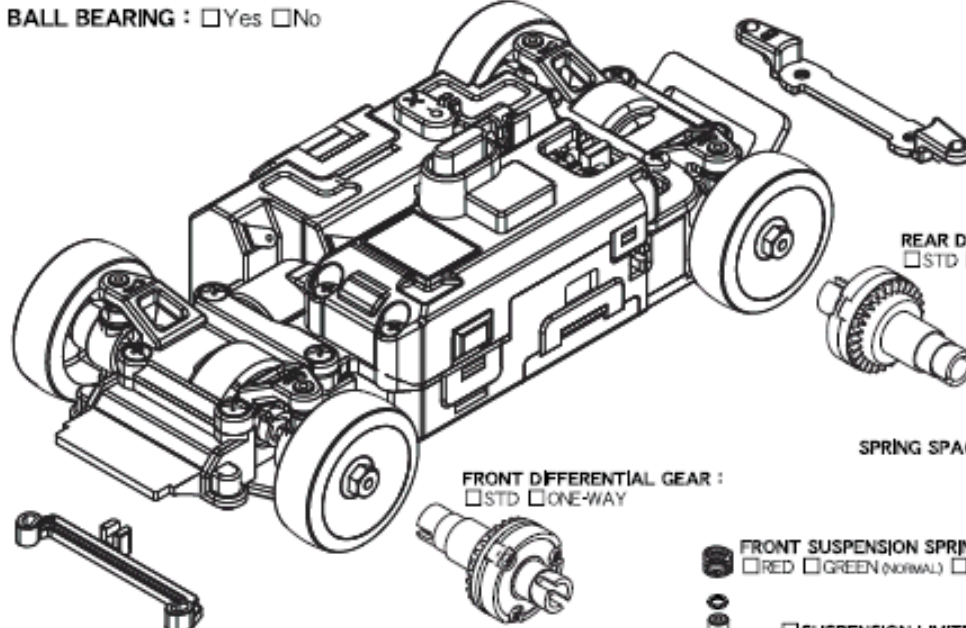
SETTING

Fun - Grip - Drift

BODY

BATTERY

ALKALINE DRY - SPEED POWER 900



REAR TIE ROD :

- A/±0deg B/TOE IN 0.5deg  
C/TOE IN 1.5deg

REAR DIFFERENTIAL :

- STD BALL BEARING

REAR SUSPENSION SPRING :

- RED GREEN (NORMAL)  
YELLOW

SUSPENSION LIMITER

REAR CAMBER (KNUCKLE) :

- STD 0deg 1.5deg  
3.0deg 4.5deg

SUSPENSION LIMITER

FRONT DIFFERENTIAL GEAR :

- STD ONE-WAY

FRONT SUSPENSION SPRING :

- RED GREEN (NORMAL) YELLOW

SUSPENSION LIMITER

FRONT CAMBER (KNUCKLE) :

- STD 0deg 1.5deg 3.0deg 4.5deg

SUSPENSION LIMITER

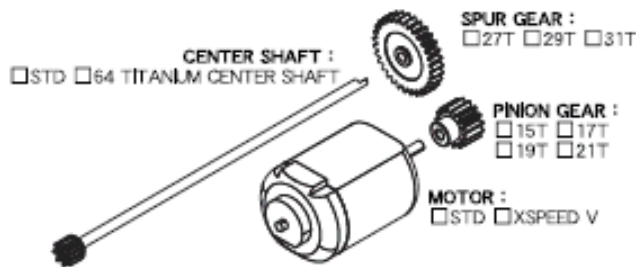
FRONT TIE ROD :

- TOE OUT 0.6deg STD/±0deg  
+2/TOE IN 0.8deg +4/TOE IN 1.5deg  
+6/TOE IN 2.2deg

SPRING SPACER

<input type="checkbox"/> N	<input type="checkbox"/> W	<b>FRONT WHEELS</b>	
No.		OFF-SET	mm
No.		HARDNESS	°
PATTERN		NORMAL - FLAT	

<input type="checkbox"/> N	<input type="checkbox"/> W	<b>REAR WHEELS</b>	
品番No.		OFF-SET	mm
No.		HARDNESS	°
PATTERN		NORMAL - FLAT	



CENTER SHAFT :

- STD 64 TITANIUM CENTER SHAFT

SPUR GEAR :

- 27T 29T 31T

PINION GEAR :

- 15T 17T  
19T 21T

MOTOR :

- STD XSPEED V

装着パーツ :

- ALUMINUM MOTOR HOLDER SET HARD UNIVERSAL SWING SHAFT  
ALUMINUM MOTOR COVER HARD OFF. CUP JOINT  
ALUMINUM REAR TOE CONTROL ROD SP SERVO GEAR SET  
ALUMINUM FRONT UPPER COVER TITANIUM SCREW SET  
ALUMINUM REAR UPPER COVER

OTHERS OPTIONAL PARTS :

---



---



---



---



---