

EP **ULTIMAST** Type R



SET UP SHEET

Name of Driver	Date	Track	Track Condition
----------------	------	-------	-----------------

Radio	Electronical Speed Control	Battery Location <input type="checkbox"/> Front <input type="checkbox"/> Middle <input type="checkbox"/> Rear	Motor Brushes Springs
-------	----------------------------	---	----------------------------

Shock Piston
Shock 2-B 2-C 3-A 3-B

P = Pressure Type
N = Non-Pressure Type

Gear Ratio

Spur Gear
T

Pinion Gear
T

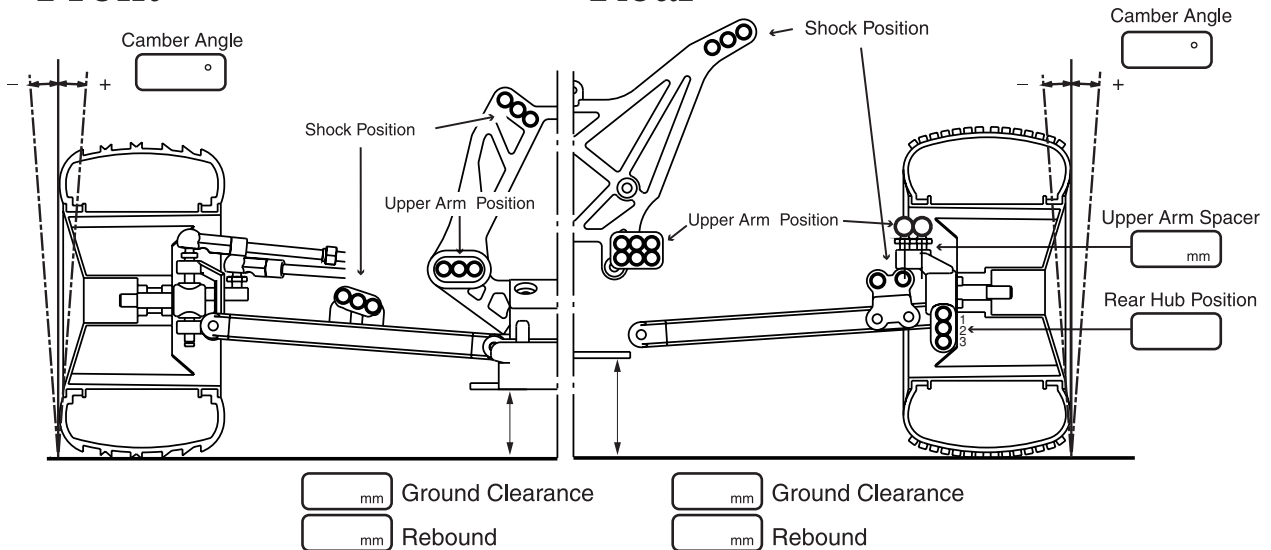
	Piston	Oil	Spring	Spacer	Type
Front					P / N
Rear					P / N

Tire	Tire	Inner
Front		
Rear		

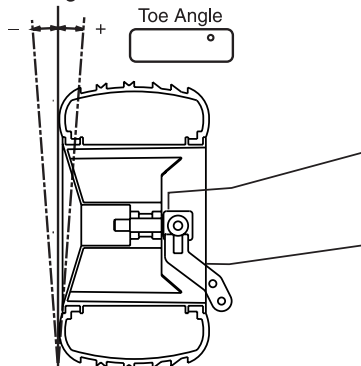
Comments

Front

Rear



Front Toe Angle



Front Knuckle Area

