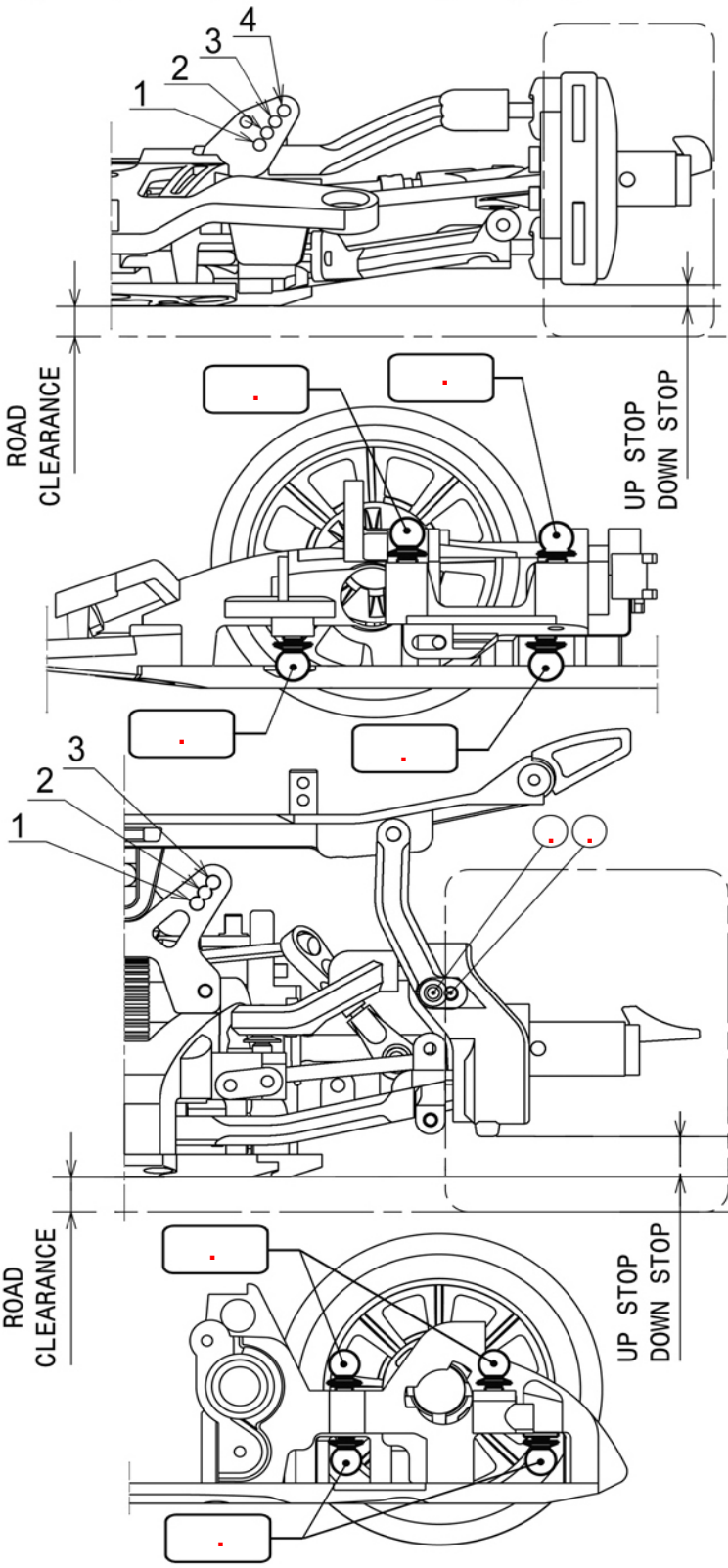


Name _____
Date _____
Temp. _____

Track _____
Traction _____
Engine _____

1/8th Scale 4WD Gas Powered Racing Car



Front Suspension

Up Stop _____

Down Stop _____

Front width _____

Toe Angle _____

Camber Angle _____

Caster _____

Front Antiroll Bar

Shock Oil _____

Shock Piston _____

Spring _____

Spring Adjuster _____

Shock Pos _____

Tyre Type _____

Tyre Hardness _____

Tyre Diameter _____

Road Clearance _____

Rear Suspension

Up Stop _____

Down Stop _____

Rear width _____

Toe Angle _____

Camber Angle _____

Rear Antiroll Bar

Shock Oil _____

Shock Piston _____

Spring _____

Spring Adjuster _____

Shock Pos _____

Clutch Shoe _____	Pinion Gear . / . _____
Clutch Spring _____	Spur Gear . / . _____
Clearance _____	
Adj Nut _____	Rear Spoiler _____

Tyre Type _____

Tyre Hardness _____

Tyre Diameter _____

Road Clearance _____