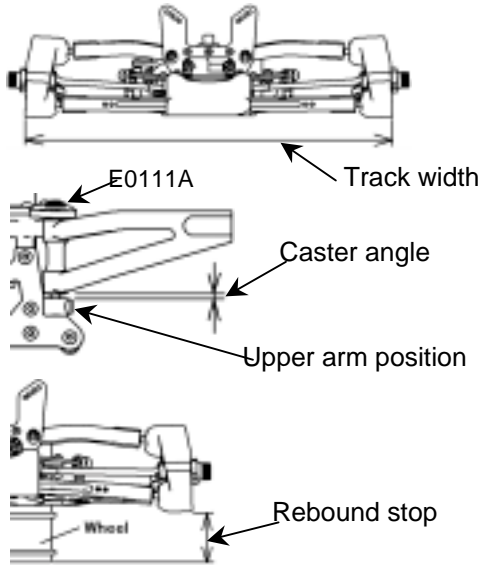


Name: _____
Date: _____
Track: _____

Track Conditions

Size: Open Med. Tight
Traction: High Med. Low
Surface: Smooth Med. Bumpy

Front Suspension



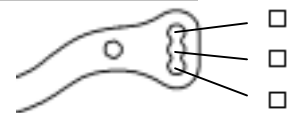
Track width _____ mm
Camber angle _____ °
Caster angle _____ mm
Toe angle _____ °
Rebound stop _____ mm
Anti-roll bar Use _____ mm
 None
Lower arm position E0105A (-1°)
 E0105B (-2°)
 E0105C (-3°)
Upper arm position
(E0111A)

 E0106A - E0106B (High)
 E0106C - E0106D (Low)

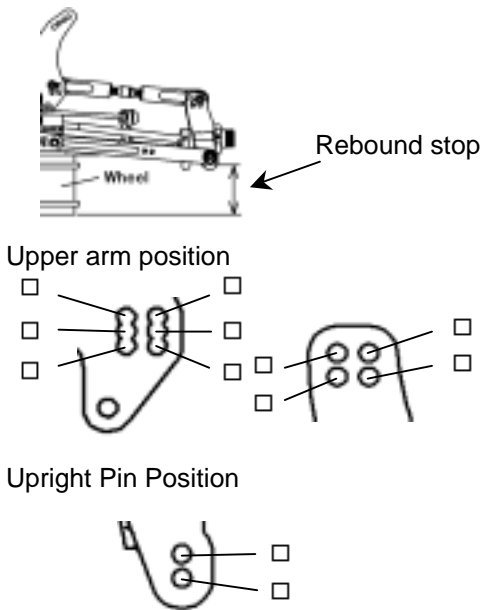
Front Shocks

Piston _____
Oil # _____
Spring _____
Spacer _____ mm
Shock position

Steering Ackerman



Rear Suspension



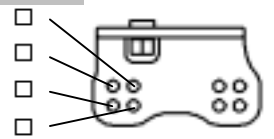
Camber angle _____ °
Toe angle E0105D (2°)
 E0105E (2.5°)
 E0105F (3°)
Rebound stop _____ mm
Anti-roll bar Use _____ mm
 None
Caster angle(E0111C,E0111D)

Wheelbase adjustment
_____ mm

Rear Shocks

Piston _____
Oil # _____
Spring _____
Spacer _____ mm
Shock position

Wing Position



Engine

Type _____
Gasket _____ mm Muffler _____
Plug _____ Fuel _____

Diff. Oil

Front # _____ O-Ring ___ pcs. Other _____
Center # _____ ___ pcs. Other _____
Rear # _____ ___ pcs. Other _____

Tire

Front		Rear
Type _____		Type _____
Foam _____		Foam _____

Clutch

Clutch shoes Aluminium
 Other _____
Spring _____ mm
Clutch bell / Spur gear _____

Result

Race time / Lap _____
Best lap (1Lap) _____

Comments:

.....
.....
.....
.....