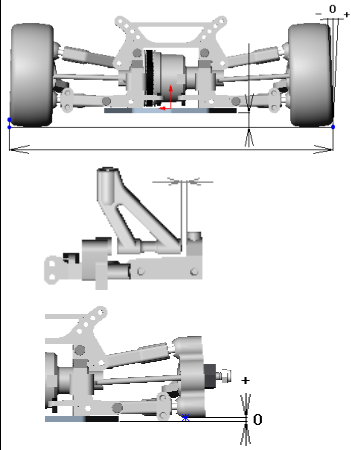


Name : _____
 Date : _____
 Track : _____

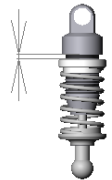
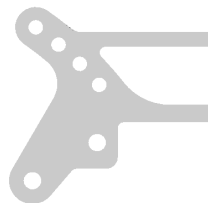
Track	Size :	Open	Med.	Tight
Conditions	Traction :	High	Med.	Low
	Surface :	Smooth	Bumpy	

Front suspension



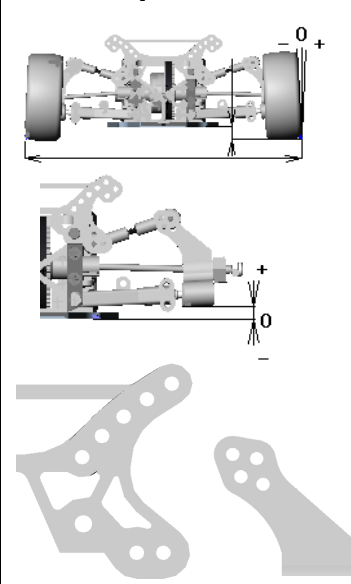
Track width _____ mm
 Ride height _____ mm
 Camber angle _____ °
 Caster angle _____ mm
 Toe angle _____ °
 Rebound stop _____ mm
 Bump stop
 None Use _____ mm

Front shocks

 Piston _____
 Oil # _____
 Spring _____
 Tension _____ mm

 Shock position

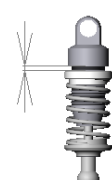

Front diff. Oil # _____

Rear suspension



Track width _____ mm
 Ride height _____ mm
 Camber angle _____ °
 Toe angle _____ °
 Rebound stop _____ mm
 Bump stop
 None Use _____ mm
 Upper arm position
 Anti-roll bar
 None Use _____ mm

Rear shocks

 Piston _____
 Oil # _____
 Spring _____
 Tension _____ mm

 Shock position

Rear diff. Oil # _____

Clutch

3 P Clutch shoes Black
 White
 Spring _____
 Other Clutch shoes _____
 Spring _____
 Clutch bell clearance _____ mm
 Clutch spring adj. nut _____ mm

Gear ratio 1st _____ / _____
 2nd _____ / _____

Brake pad Black Yellow

Engine

Type _____ Fuel _____
 Gasket _____ mm Muffler _____
 Plug _____

Tires & Wheels

Front	Tire _____	Rear	Tire _____
	Insert _____		Insert _____
	Wheel _____		Wheel _____

Body & Wing

Body _____ Wing _____

Result

Race time / Lap _____
 Best lap (1Lap) _____

Comments

.....

