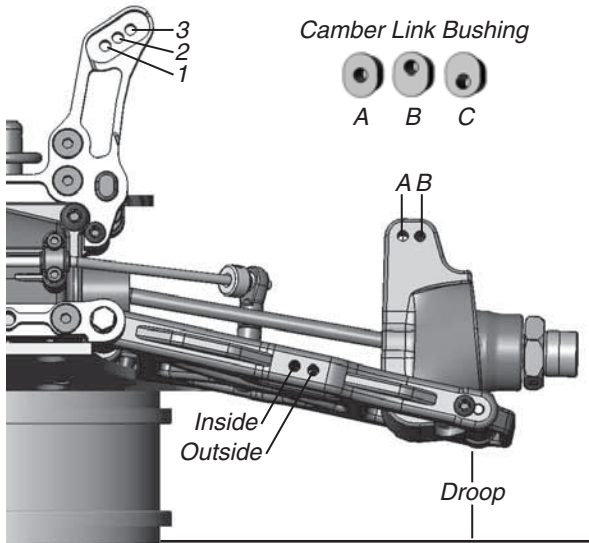


Driver: _____ Track: _____

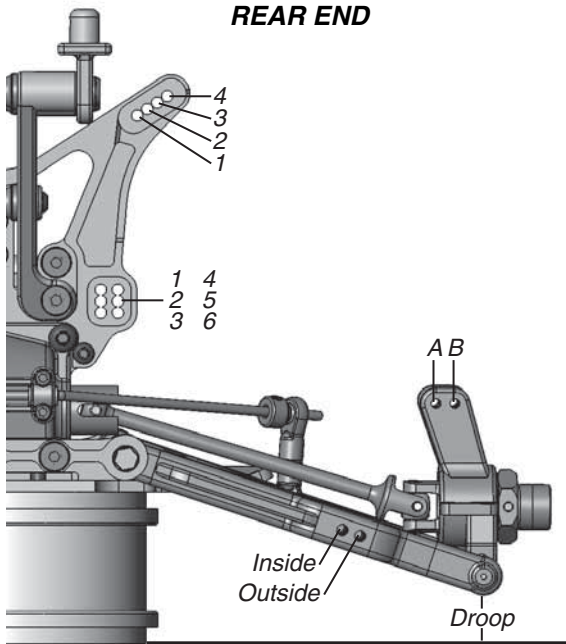
Date: _____ Surface: _____

FRONT END



Oil: _____
 Spring: _____
 Piston: _____
 Limiters: _____
 Sway Bar: _____
 Camber: _____
 Toe: _____
 Camber Link Bushing: _____
 Outer Camber Link: _____
 Caster Block: _____
 Ackerman Placement: _____
 Upper Shock Placement: _____
 Lower Shock Placement: _____
 Droop: _____
 Ride Height: _____
 Bump Steer Spacers: _____

REAR END



Oil: _____
 Spring: _____
 Piston: _____
 Limiters: _____
 Sway Bar: _____
 Camber: _____
 Inner Camber Link: _____
 Outer Camber Link: _____
 Rear Toe-In: _____
 Rear Anti-Squat: _____
 Hub Carrier Placement: _____
 Upper Shock Placement: _____
 Lower Shock Placement: _____
 Droop: _____
 Ride Height: _____
 Wing Position: _____

DIFF OILS:

Front: _____

Center: _____

Rear: _____

CLUTCH

Shoes: _____

Material: _____

Springs: _____

GEARING

Spur: _____

Clutch Bell: _____

SWAYBAR LEGEND

A: .093

B: .100

C: .105

SPRING LEGEND

Red (Softest)

Blue

Black

White (Hardest)

Note: Ride height is measured at the back of the chassis for the rear and at the bellcrank screws for the front.