



SETUP SHEET

TRACK: \_\_\_\_\_ SIZE: \_\_\_\_\_

TRACTION: \_\_\_\_\_

SURFACE: \_\_\_\_\_

DRIVER: \_\_\_\_\_

DATE: \_\_\_\_\_

OPEN

MEDIUM

TIGHT

HIGH

MEDIUM

LOW

SMOOTH

MEDIUM

BUMPY

FRONT SUSPENSION

IN: \_\_\_\_\_

TOE ANGLE  OUT: \_\_\_\_\_

RIDE HEIGHT

FRONT: \_\_\_\_\_

CAMBER  POS: \_\_\_\_\_

NEG: \_\_\_\_\_

REBOUND STOP: \_\_\_\_\_

SWAY BAR  2.5mm

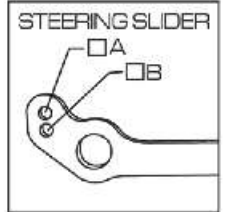
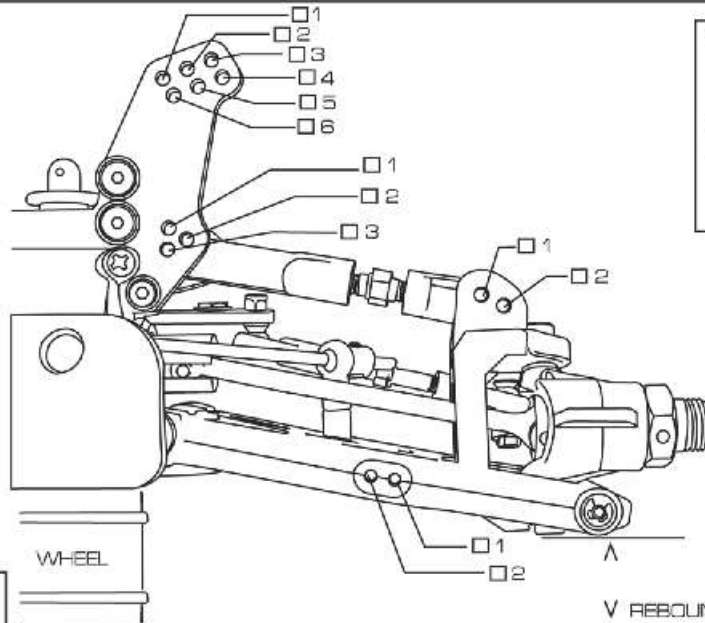
OTHER \_\_\_\_\_

FRONT SHOCKS

OIL: \_\_\_\_\_

PISTONS: \_\_\_\_\_  STANDARD  DRILLED \_\_\_\_\_

SPRING: \_\_\_\_\_



NOTES: \_\_\_\_\_  
 \_\_\_\_\_  
 \_\_\_\_\_

REAR SUSPENSION

1°

TOE-IN BLOCK:  2°

3°

RIDE HEIGHT

REAR: \_\_\_\_\_

CAMBER  POS: \_\_\_\_\_

NEG: \_\_\_\_\_

REBOUND STOP: \_\_\_\_\_

SWAY BAR  2.5mm

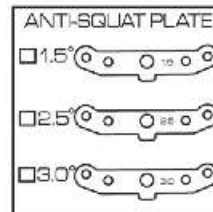
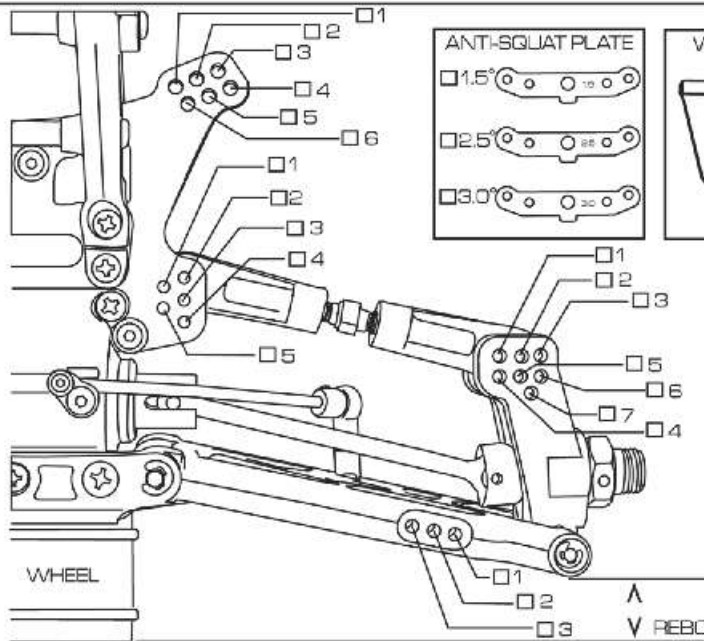
OTHER \_\_\_\_\_

REAR SHOCKS

OIL: \_\_\_\_\_

PISTONS: \_\_\_\_\_  STANDARD  DRILLED \_\_\_\_\_

SPRING: \_\_\_\_\_



NOTES: \_\_\_\_\_  
 \_\_\_\_\_  
 \_\_\_\_\_

DIFF OIL FRONT: \_\_\_\_\_  
 CENTER: \_\_\_\_\_  
 REAR: \_\_\_\_\_

TIRES FRONT REAR  
 TYPE: \_\_\_\_\_ TYPE: \_\_\_\_\_  
 INSERT: \_\_\_\_\_ INSERT: \_\_\_\_\_

ENGINE TYPE: \_\_\_\_\_ MUFFLER: \_\_\_\_\_  
 GASKET: \_\_\_\_\_ mm FUEL: \_\_\_\_\_  
 PLUG: \_\_\_\_\_

CLUTCH CLUTCH BELL  13T CLUTCH SHOES  
 14T  3 SHOE  
 OTHER \_\_\_\_\_ T  4 SHOE