



PROLOGS

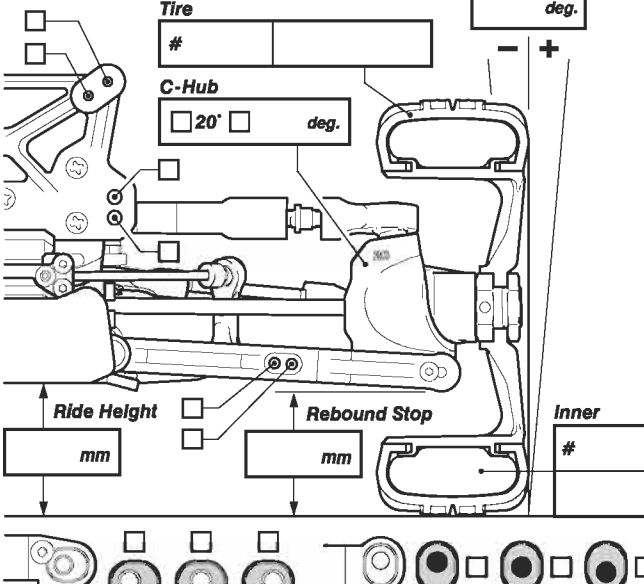
1/8 OFFROAD BUGGY

Setup Sheet / Setup Blatt / Feuille de r glage

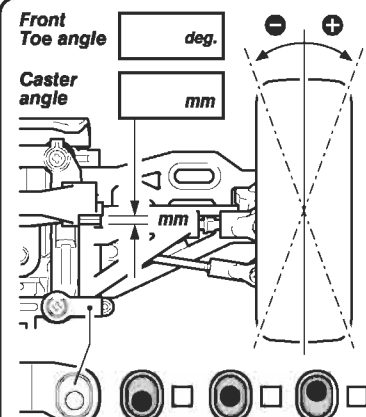
 Driver / /
 Track

Engine	Gasket	mm	Plug	Muffler	Fuel				
Clutch bell	<input type="checkbox"/> 13T <input type="checkbox"/> 14T <input type="checkbox"/> Other	T	Spur gear	<input type="checkbox"/> 44T <input type="checkbox"/> Other	T	Shoes <input type="checkbox"/> 3 <input type="checkbox"/> 4	Spring	mm	
Diff	Front: <input type="checkbox"/>	<input type="checkbox"/> LSD	Oil #	Center: <input type="checkbox"/>	<input type="checkbox"/> LSD	Oil #	Rear: <input type="checkbox"/>	<input type="checkbox"/> LSD	Oil #

Front Suspension

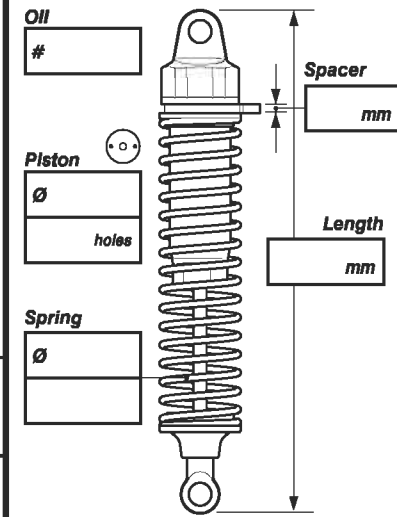


Tire #
 C-Hub 20' deg.
 Ride Height mm
 Rebound Stop mm
 Inner #
 Camber deg.



Front Toe angle deg.
 Caster angle mm

Front Shock

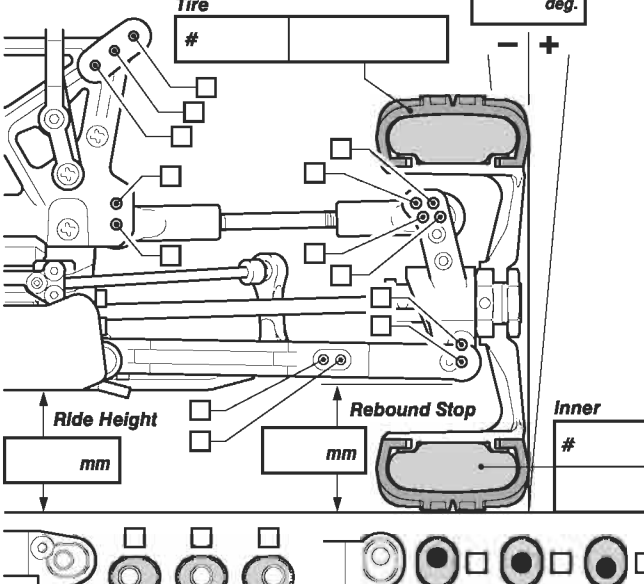


Oil #
 Piston holes
 Spring holes
 Spacer mm
 Length mm

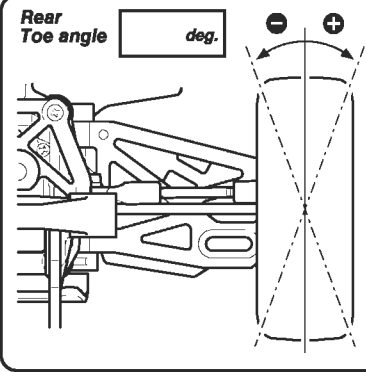
Steering Slider A B

Anti-roll bar mm 2.5 mm

Rear Suspension

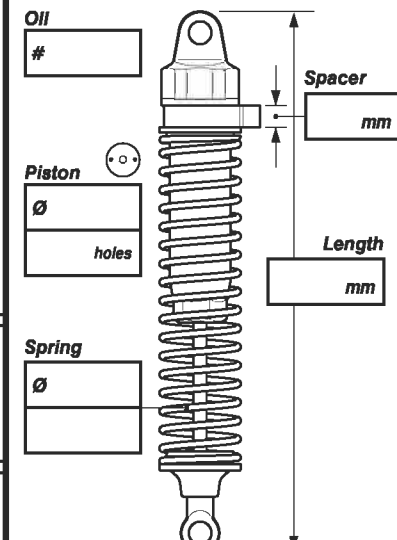


Tire #
 Ride Height mm
 Rebound Stop mm
 Inner #
 Camber deg.



Rear Toe angle deg.
 Wing Position

Rear Shock



Oil #
 Piston holes
 Spring holes
 Spacer mm
 Length mm

Anti-roll bar mm 2.8 mm

Notes

Resul	Position	Laps	Time	Fastest Lap
Run				lap
Qualfier				lap
				lap
				lap
Main #				lap

ROBITRONIC
POWER FOR WINNERS