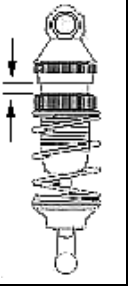
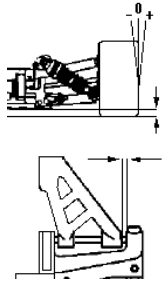


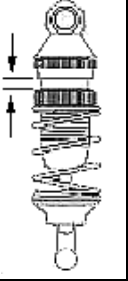
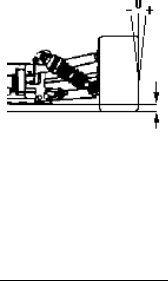
PRO 10 Set Up Sheet

Date: _____	Track Conditions Size: <input type="checkbox"/> Open <input type="checkbox"/> Med. <input type="checkbox"/> Tight Weather: _____ Traction: <input type="checkbox"/> High <input type="checkbox"/> Med. <input type="checkbox"/> Low Temperature: _____ ° Surface: <input type="checkbox"/> Smooth <input type="checkbox"/> Med. <input type="checkbox"/> Bumpy Humidity: _____ %
Name: _____	
Track: _____	
Best Lap: _____	

Front suspension

Front shocks		Width: _____ mm	
Length: _____ mm		Ride height: _____ mm	
Preload: _____ mm		Camber: _____ °	
Spring: _____		Toe angle: _____ °	
Shock oil: _____		Downstop: _____ mm	
Piston holes: Ø _____ mm x _____		Bumpstop: _____ mm	
Caster shims behind upper arm: <input type="checkbox"/> 4.0mm <input type="checkbox"/> 2.0mm <input type="checkbox"/> 1.0mm			
Front anti-roll bar: <input type="checkbox"/> None <input type="checkbox"/> _____ mm			

Rear suspension

Rear shocks		Width: _____ mm	
Length: _____ mm		Ride height: _____ mm	
Preload: _____ mm		Camber: _____ °	
Spring: _____		Toe angle: _____ °	
Shock oil: _____		Downstop: _____ mm	
Piston holes: Ø _____ mm x _____		Rear anti-roll bar: <input type="checkbox"/> None <input type="checkbox"/> _____ mm	

Transmission

Front: <input type="checkbox"/> one-way <input type="checkbox"/> differential	1st gear (pinion/spur): _____ T / _____ T
Rear: <input type="checkbox"/> solid axle <input type="checkbox"/> differential	2nd gear (pinion/spur): _____ T / _____ T
	Side pulley: front _____ T / rear _____ T

Engine Type: _____

Gasket: _____ mm	Pipe: _____
Glow plug: _____	Fuel: _____

Body Type: _____

Tire

Front type: _____	Rear type: _____
Diameter(start) : L _____ / R _____ mm	Diameter(start) : L _____ / R _____ mm
Diameter(finish) : L _____ / R _____ mm	Diameter(finish) : L _____ / R _____ mm

Comments