

SETTING SHEET

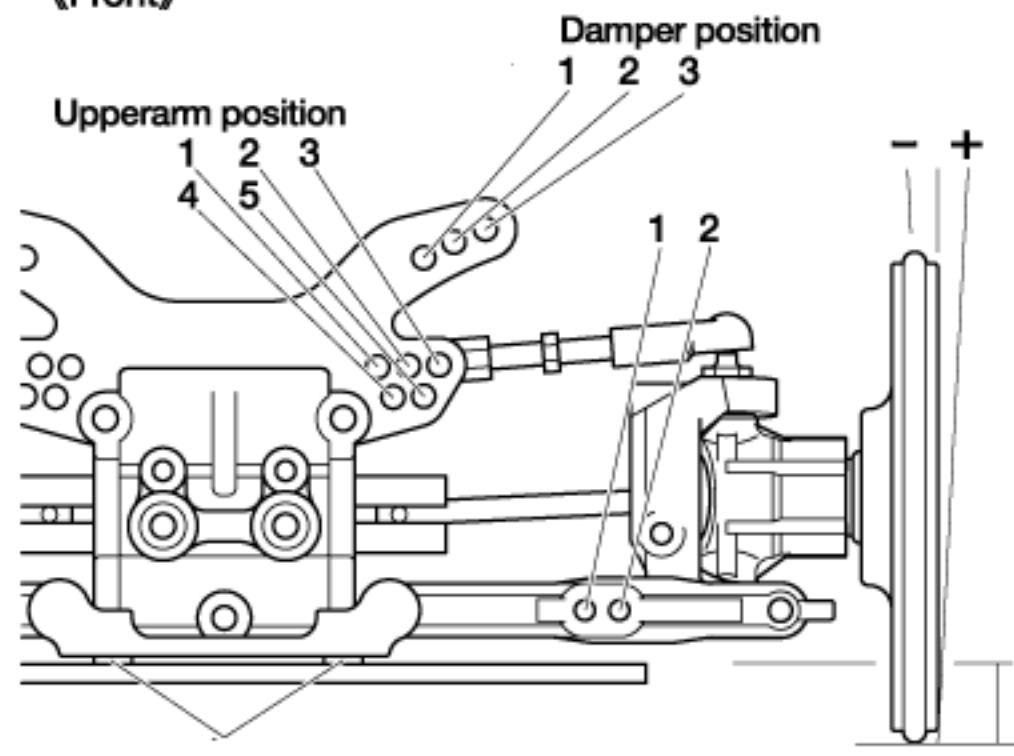
TB EVOLUTION III

Ver 1.01

Name _____ Date _____ Air temp. _____ Humidity _____

Track _____ Track condition _____ Track temp _____

《Front》



Camber angle _____ °

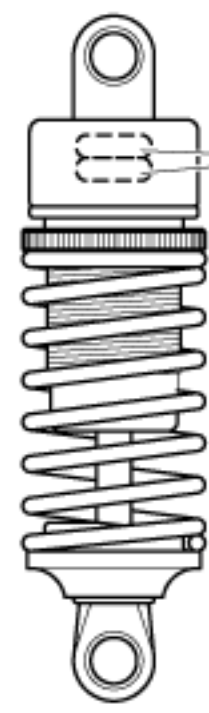
Ground clearance _____ mm

Rebound stroke _____ mm

Front drive One-way Diff

Stabilizer S M H

Rebound stroke _____ mm



Damper length _____ mm

3mm O-ring (black) _____ Piece(s)

3mm O-ring (transparent) _____ Piece(s)

Urethane bushing _____ Piece(s)

Piston _____ hole(s)

Oil _____ #

Spring _____

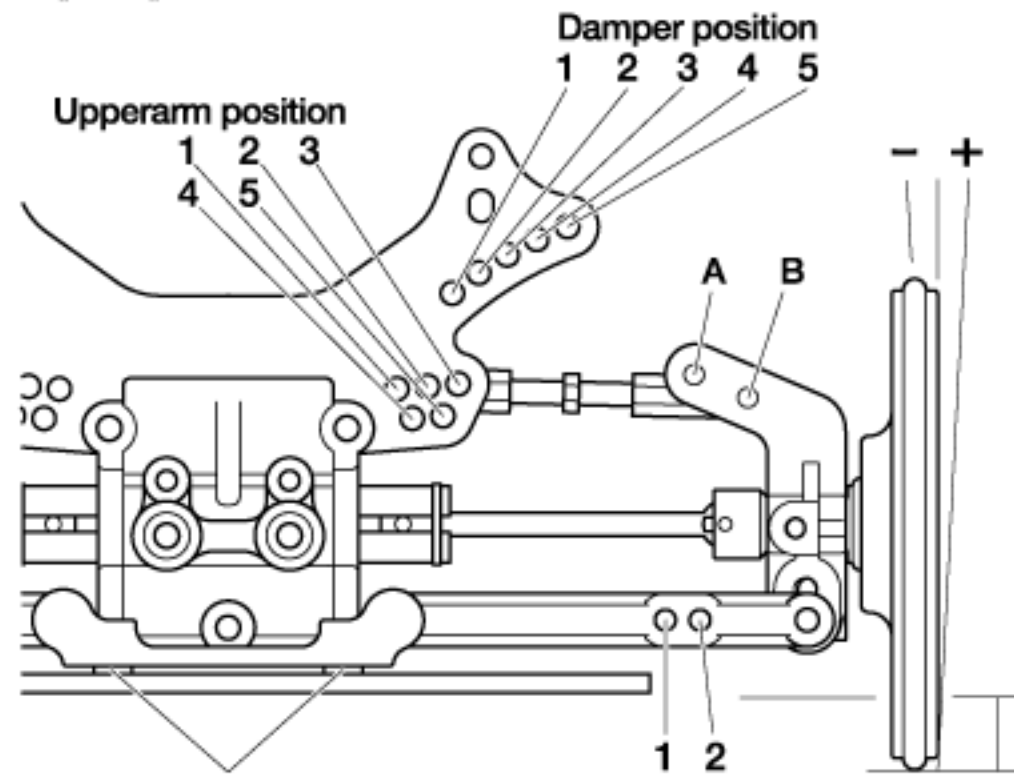
Sus.mount spacer

F _____ mm

R _____ mm

Memo

《Rear》



Camber angle _____ °

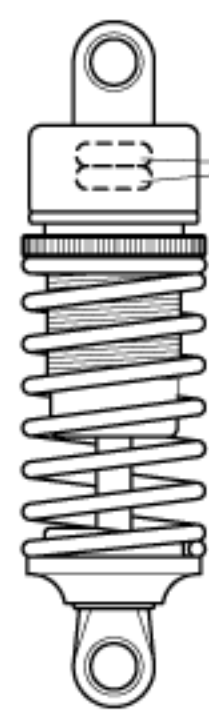
Ground clearance _____ mm

Rebound stroke _____ mm

Upper arm position A B

Stabilizer S M H

Rebound stroke _____ mm



Damper length _____ mm

3mm O-ring (black) _____ Piece(s)

3mm O-ring (transparent) _____ Piece(s)

Urethane bushing _____ Piece(s)

Piston _____ hole(s)

Oil _____ #

Spring _____

Sus.mount spacer

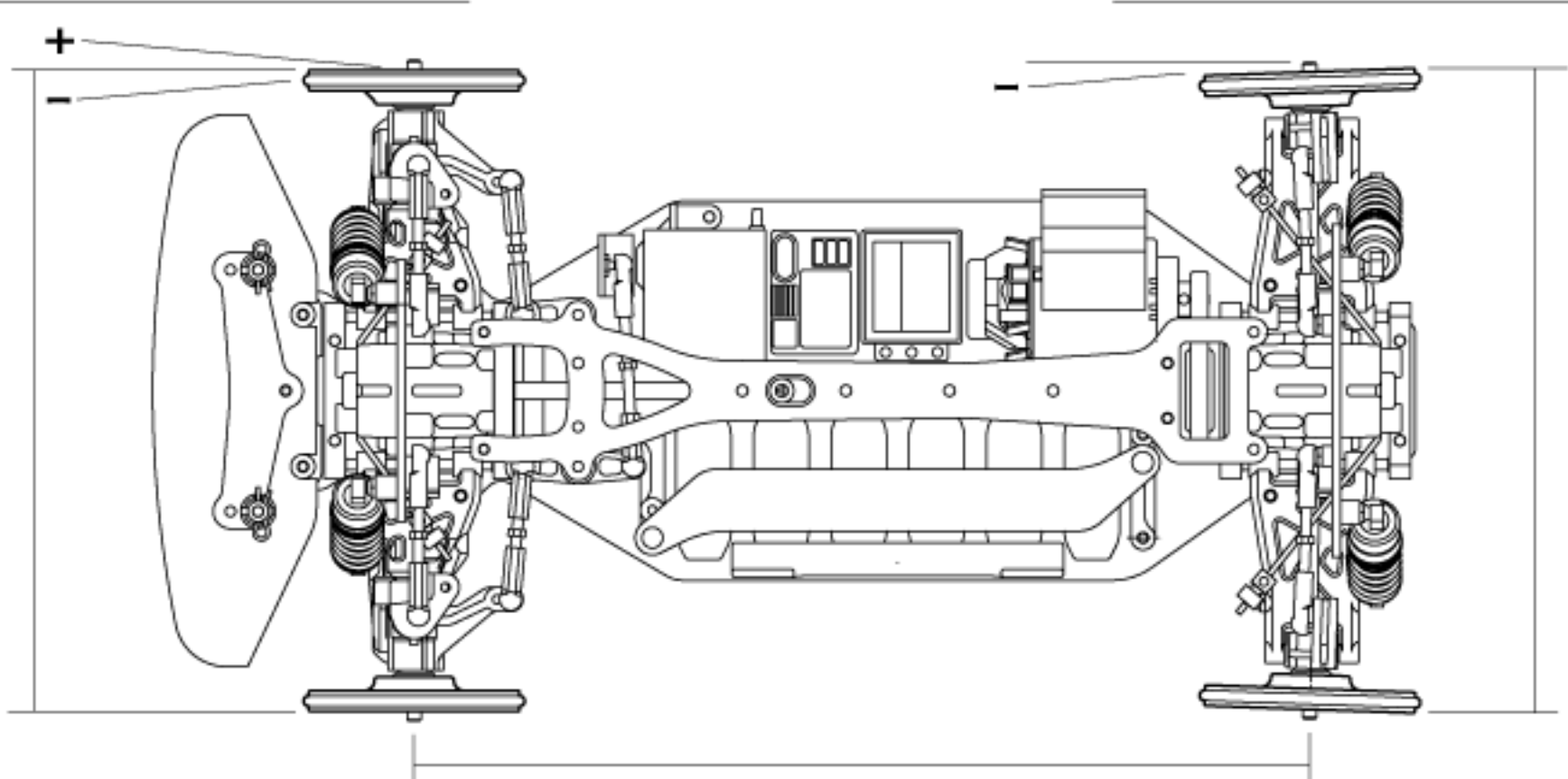
F _____ mm

R _____ mm

Memo

Toe angle (front) A B C D

Toe angle (rear) A B C D



Front width _____ mm Wheel base _____ mm Rear width _____ mm

Motor _____

Spur gear _____ Pinion gear _____

T T

Battery _____

Body _____

Wing _____

Tire _____

Tire insert _____

Best lap _____

Average lap _____