

# TRF416

TAMIYA RACING FACTORY

## CHASSIS KIT

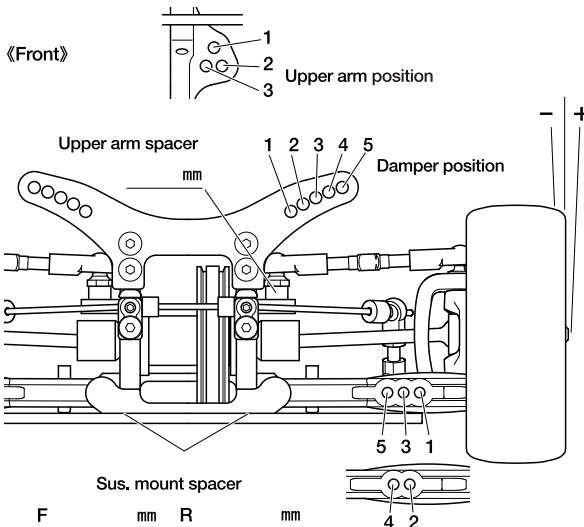
1/10 SCALE R/C 4WD RACING CAR  
TRF416 CHASSIS KIT

### SETTING SHEET

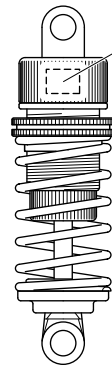
Name \_\_\_\_\_ Date \_\_\_\_\_ Air temp. \_\_\_\_\_ Humidity \_\_\_\_\_

Track \_\_\_\_\_ Track condition \_\_\_\_\_ Track temp. \_\_\_\_\_

《Front》



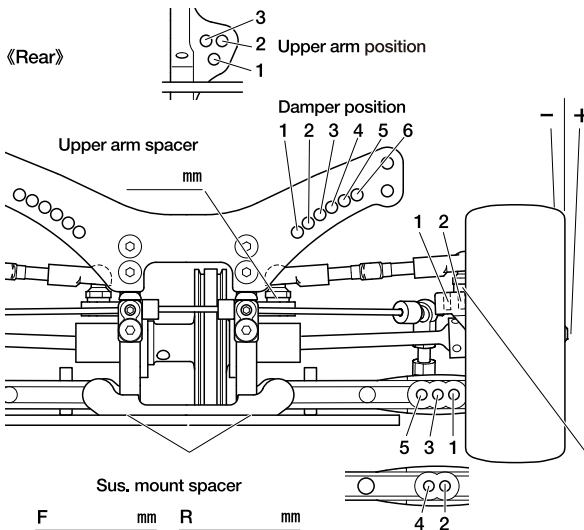
Front axle	2°	4°
Camber angle	°	
Ground clearance	mm	
Rebound stroke	mm	
Front drive	One-way	Direct
Stabilizer	S	M H
Wheel spacer	mm	



Urethane bushing	Piece(s)
3mm O-ring (black)	Piece(s)
3mm O-ring (transparent)	Piece(s)
Piston	hole(s)
Oil	#
Spring	

Memo \_\_\_\_\_

《Rear》



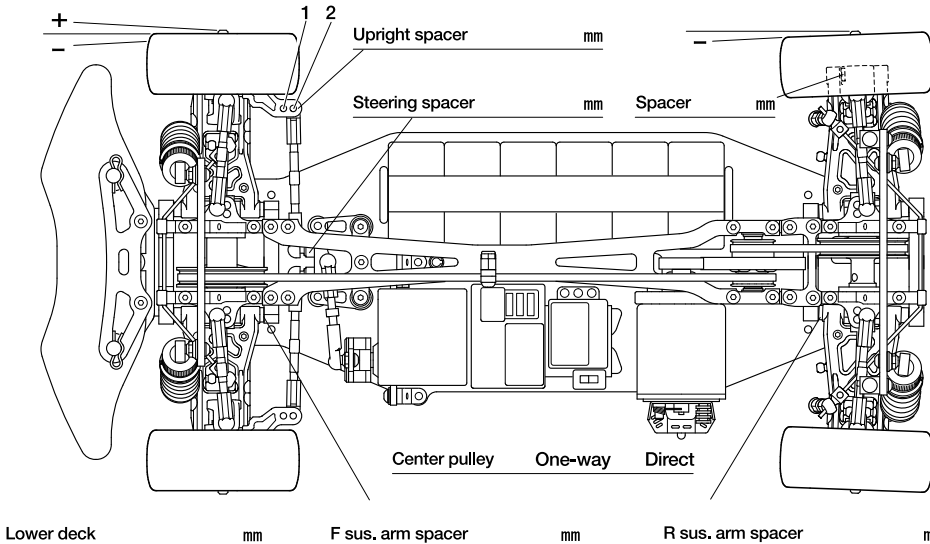
Rear axle	°	
Camber angle	°	
Ground clearance	mm	
Rebound stroke	mm	
Stabilizer	S	M H
Wheel spacer	mm	



Urethane bushing	Piece(s)
3mm O-ring (black)	Piece(s)
3mm O-ring (transparent)	Piece(s)
Piston	hole(s)
Oil	#
Spring	

Memo \_\_\_\_\_

Toe angle (front) \_\_\_\_\_ F sus. mount Front Rear R sus. mount Front Rear



Lower deck \_\_\_\_\_ mm F sus. arm spacer \_\_\_\_\_ mm R sus. arm spacer \_\_\_\_\_ mm

Motor	_____	
Spur gear	Pinion gear	_____
	T	T
Battery	_____	
Body	_____	
Wing	_____	
Tire	_____	
Wheel	_____	
Tire insert	_____	
Best lap	_____	