

# TRF416 WORLD EDITION

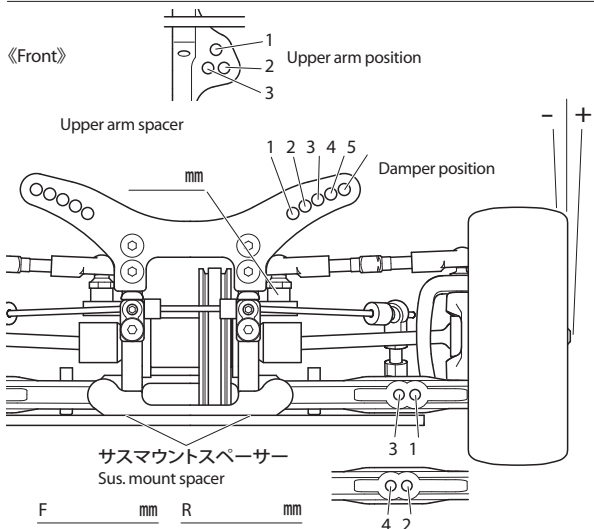
TAMIYA RACING FACTORY

Ver. 2.00  
SETTING SHEET

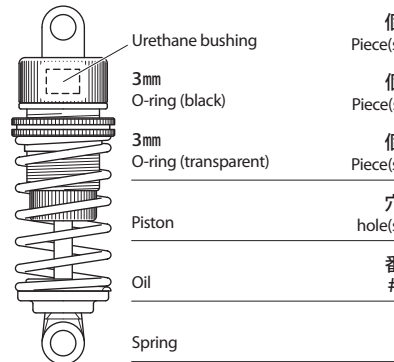
1/10 SCALE R/C 4WD RACING CAR  
TRF416 WORLD EDITION CHASSIS KIT

Name \_\_\_\_\_ Date \_\_\_\_\_ Air temp. \_\_\_\_\_ Humidity \_\_\_\_\_

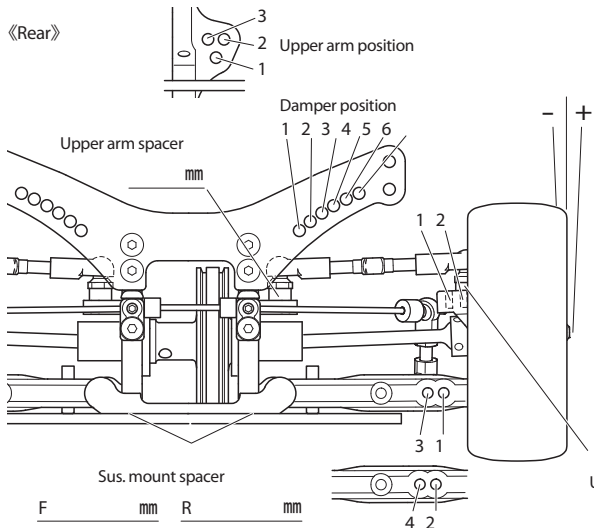
Track \_\_\_\_\_ Track condition \_\_\_\_\_ Track temp. \_\_\_\_\_



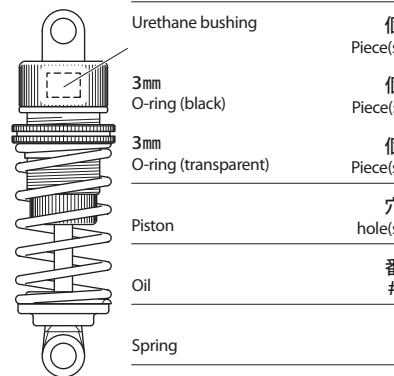
Front axle \_\_\_\_\_  
Camber angle \_\_\_\_\_  
Ground clearance \_\_\_\_\_ mm  
Rebound stroke \_\_\_\_\_ mm  
Front drive One-way Direct  
Stabilizer S M H  
Wheel spacer \_\_\_\_\_ mm



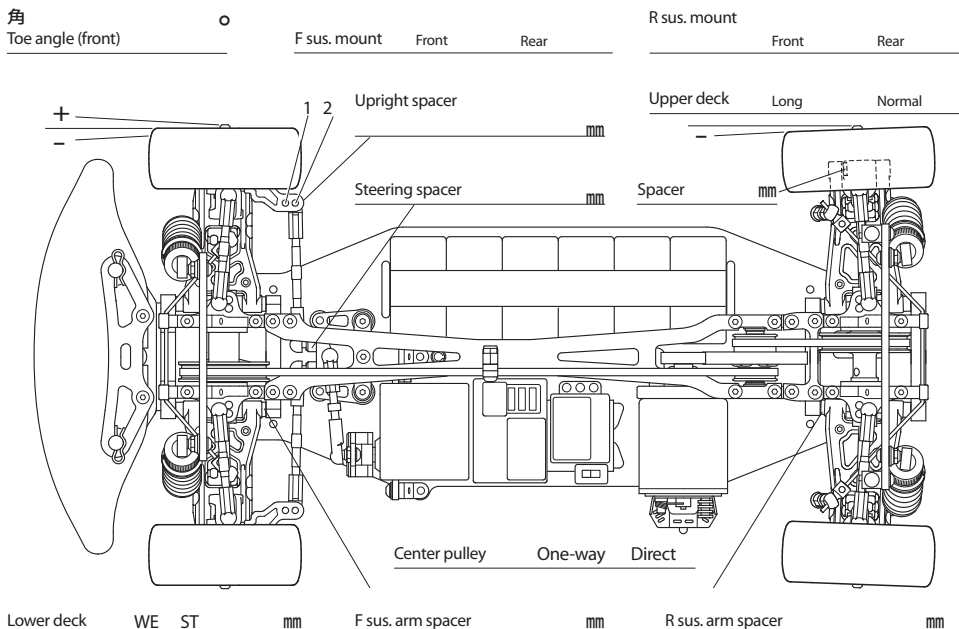
Memo \_\_\_\_\_



Rear axle \_\_\_\_\_  
Camber angle \_\_\_\_\_  
Ground clearance \_\_\_\_\_ mm  
Rebound stroke \_\_\_\_\_ mm  
Stabilizer S M H  
Wheel spacer \_\_\_\_\_ mm



Memo \_\_\_\_\_



Motor \_\_\_\_\_  
Spur gear Pinion gear  
T T  
Battery \_\_\_\_\_  
Body \_\_\_\_\_  
Wing \_\_\_\_\_  
Tire \_\_\_\_\_  
Wheel \_\_\_\_\_  
Tire insert \_\_\_\_\_  
Best lap \_\_\_\_\_