

# SETUP SHEET



- Numbers in squares are cross-referenced to those in the #6194 Complete Tuning Guide: B3.
- Numbers in circles refer to features in drawings on this page.

driver \_\_\_\_\_  
 track / city \_\_\_\_\_  
 event \_\_\_\_\_ date \_\_\_\_\_

## FRONT SUSPENSION

**4** **1** CASTER  25°  30°

**5** **2** FRONT RIDE HEIGHT  ARMS LEVEL  other \_\_\_\_\_

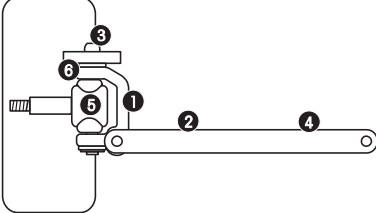
**1** **3** CAMBER \_\_\_\_\_°

**6** **4** ANTI ROLL BAR  NONE  
 THICK  
 THIN  
 other \_\_\_\_\_

**3** **6** TOE-IN \_\_\_\_\_° TOE-OUT \_\_\_\_\_°

**8** **6** BUMP STEER SPACERS \_\_\_\_\_

**7** STEERING ACKERMAN  STD  OPTIONAL



## FRONT SHOCKS

**15** BODY  STD  GRAY  other \_\_\_\_\_  
 BODY  .89  other \_\_\_\_\_

**17** SHAFT  .71  other \_\_\_\_\_  
 SHAFT  STD  Unobtainium

**20** LIMITERS, inside \_\_\_\_\_  
 LIMITERS, outside \_\_\_\_\_

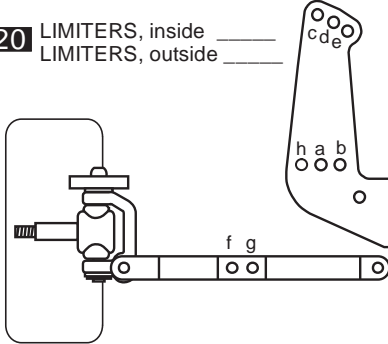
**18** PISTON # \_\_\_\_\_

**19** SPRING \_\_\_\_\_

**16** OIL \_\_\_\_\_ wt

**2** CAMBER LINK ADJ tower: a / b / h

**21** SHOCK MOUNTING tower: c / d / e arm: f / g



## REAR SUSPENSION

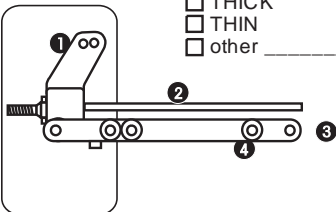
**11** **1** CAMBER \_\_\_\_\_°

**14** **2** REAR RIDE HEIGHT  BONES LEVEL  other \_\_\_\_\_

**10**  MIP CVD's  DOGBONES  UNIVERSALS

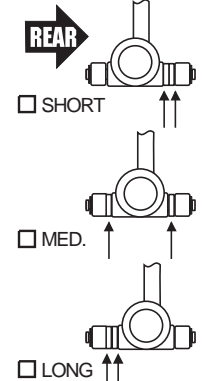
**13** **3** TOE-IN / **9** ANTI-SQUAT  2-3  3-3  3-0

**6** **4** ANTI ROLL BAR  NONE  
 THICK  
 THIN  
 other \_\_\_\_\_



**38** WHEELBASE ADJUSTMENT

REAR  SHORT  MED.  LONG



## REAR SHOCKS

**15** BODY  STD  GRAY  other \_\_\_\_\_  
 BODY  1.32  other \_\_\_\_\_

**17** SHAFT  1.02  other \_\_\_\_\_  
 SHAFT  STD  Unobtainium

**20** LIMITERS, in \_\_\_\_\_  
 LIMITERS, out \_\_\_\_\_

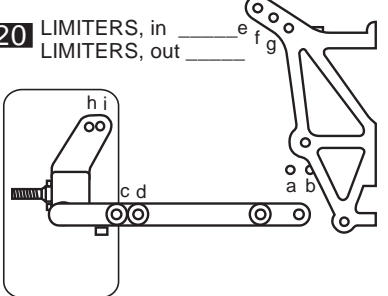
**18** PISTON # \_\_\_\_\_

**19** SPRING \_\_\_\_\_

**16** OIL \_\_\_\_\_ wt

**22** SHOCK MOUNTING tower: e / f / g arm: c / d

**12** CAMBER LINK ADJ on tower: a / b arm: h / i



## OTHER

**40** BODY \_\_\_\_\_  WING

**23** FRONT TIRES \_\_\_\_\_ **24** FOAM \_\_\_\_\_

**23** REAR TIRES \_\_\_\_\_ **24** FOAM \_\_\_\_\_

**23** TRACTION COMPOUND \_\_\_\_\_

**25** FRONT WHEELS  1 PC.  3 PC.  other \_\_\_\_\_

**25** REAR WHEELS  1 PC.  3 PC.  other \_\_\_\_\_

**36** CHASSIS  STD  SHORT  LONG  GRAPHITE

**31** MOTOR \_\_\_\_\_

**32** BRUSH \_\_\_\_\_

**33** SPRING \_\_\_\_\_

**34** PINION \_\_\_\_\_ T **35** SPUR \_\_\_\_\_ T

**39** SLIPPER  ASSOC.  HYDRA  VISCOUS  
 SLIPPER  STD  looser  tighter

**26** BATTERIES \_\_\_\_\_

**27** BATTERY PLACED  FRONT  F-MIDDLE  MID  R-MIDDLE  REAR

**28** RADIO \_\_\_\_\_ **29** SERVO \_\_\_\_\_ **30** SPD. CONT. \_\_\_\_\_

## 42 TRACK CONDITIONS

SURFACE  smooth  bumpy BUMPS: \_\_\_\_\_

TRACTION  low  med.  high

COMPOSITION

sandy  soft dirt  grass  clay  other \_\_\_\_\_

wet  dry  dusty  other \_\_\_\_\_

other: \_\_\_\_\_

## 43 RACE COMMENTS

MAIN \_\_\_\_\_ PLACE \_\_\_\_\_  TQ

NOTES \_\_\_\_\_

## 44 BUGGY COMMENTS

NOTES \_\_\_\_\_