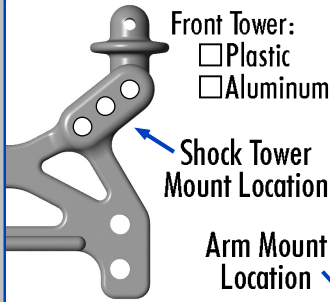


RC 18T

For more setups and setup sheets, click here:
www.RC10.com • www.TeamAssociated.com
www.CompetitionX.com

Driver: _____
Track: _____
Event: _____
Conditions: _____
Additional Comments: _____
Date: _____
 Indoor Outdoor

Front Suspension

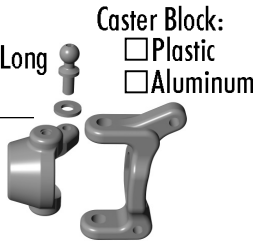


Front Arm:
 Plastic Aluminum

Notes: _____

Upright

Ballstud: Short Long
Ballstud Washers: _____
Steering Block:
 Plastic
 Aluminum



Alignment

Camber: _____°
Inner Camber Shims: _____
Toe: _____°

Shocks

Piston: _____ Oil: _____ wt
Spring: _____ Limiters: _____
Ride Height: _____ mm
Shock Body: Plastic Threaded Aluminum

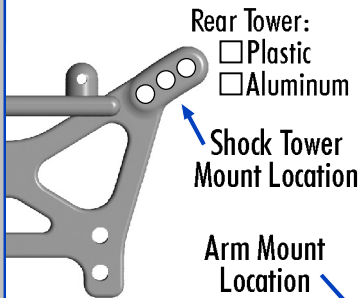
Differential

Diff Setting: _____
 Solid Axle
 Oneway

Drivebones

Plastic Dogbones
 Aluminum Dogbones
 MIP CVD's

Rear Suspension



Rear Arm:
 Plastic Aluminum

Notes: _____

Upright

Hub Carrier:
 Plastic
 Aluminum



Anti-Squat

Standard - 1°
 Optional - 3.5°

Shocks

Piston: _____ Oil: _____ wt
Spring: _____ Limiters: _____
Ride Height: _____ mm
Shock Body: Plastic Threaded Aluminum

Alignment

Camber: _____°
Inner Camber Shims: _____

Differential

Diff Setting: _____
 Solid Axle

Drivebones

Plastic Dogbones
 Aluminum Dogbones
 MIP CVD's

Body & Wing

Body: _____ Wing: _____
Notes: _____

Tires

Front	Rear
Type: _____	Type: _____
Insert: _____	Insert: _____
Wheel: _____	Wheel: _____
Traction Compound: _____	
Notes: _____	

Electronics

Motor: _____ Gear: _____ t/ _____ t
Motor Brush: _____ Motor Spring: _____
Motor Timing: _____
Battery: _____ Position: Fwd Back
ESC: _____ Mode: _____
Drag Brake: _____ Initial Brake: _____

Race Comments

Main: _____ Qualifying Position: _____ Finish: _____
Notes: _____

Car Comments

Notes: _____

