



Setup Sheet

Track: _____

Driver: _____

- | | | |
|--|---------------------------------|--------------------------------------|
| <input type="checkbox"/> Indoor | <input type="checkbox"/> Smooth | <input type="checkbox"/> Slippery |
| <input type="checkbox"/> Outdoor | <input type="checkbox"/> Rough | <input type="checkbox"/> High-Bite |
| <input type="checkbox"/> Tight / <input type="checkbox"/> Open | | <input type="checkbox"/> Blue-Groove |

Date: _____

FRONT SUSPENSION

(Circle or Check the Appropriate Settings)

Toe In _____ °
 Out _____

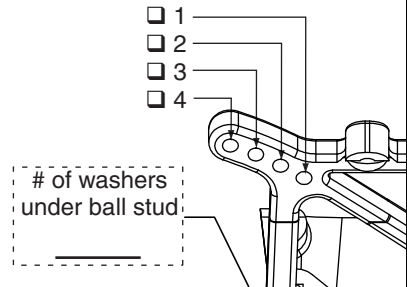
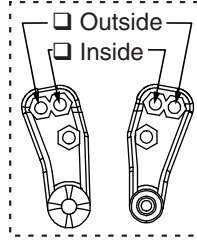
Ride Height _____

Camber - _____ °
 + _____

Caster Stock _____ °
 Other _____

Sway Bar No
 Yes size _____

of washers under steering / tie-rod ball studs
 Spindle ball stud: _____
 Bellcrank ball stud: _____

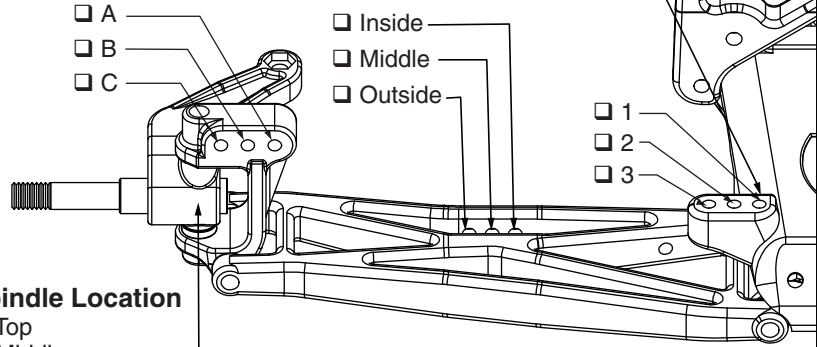


Front Shocks

Oil: _____
 Piston: _____ Standard / Drilled
 Spring: _____
 Limiters: Inside- _____ Outside- _____

Spindle Location

- A
 B
 C
 Inside
 Middle
 Outside
 Top
 Middle
 Bottom



REAR SUSPENSION

Toe-In Inside _____ °
 Outside _____ °

Pivot Support _____ No Shim
 Shim Under Front
 Shim Under Rear } # of shims: _____

Ride Height _____

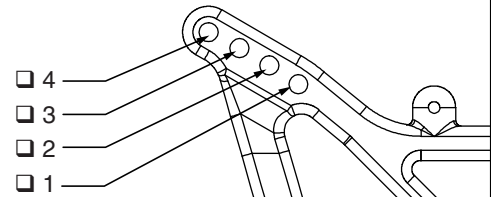
Camber - _____ °
 + _____

Rear Hub Spacing Forward
 Center
 Rear

Sway Bar No
 Yes size _____

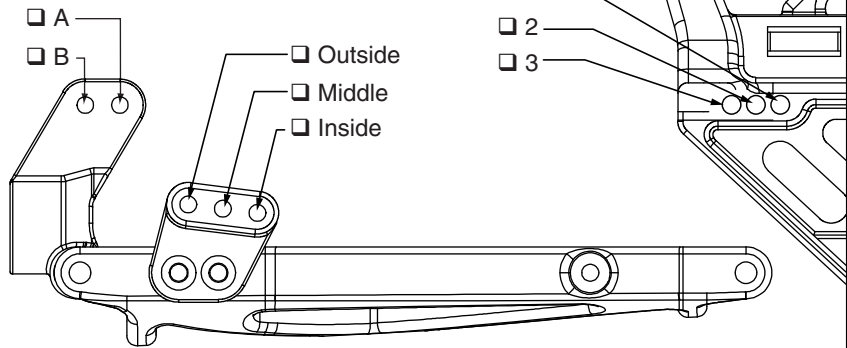
Drive Shafts Dogbones Aluminum
 CVDs Steel

Outdrives Steel
 Plastic



Rear Shocks

Oil: _____
 Piston: _____ Standard / Drilled
 Spring: _____
 Limiters: Inside- _____ Outside- _____



Tires
 Front: _____ Compound _____ Foam _____
 Rear: _____ Compound _____ Foam _____

Motor: _____ Pinion/Spur: / _____
 Battery Position: _____

Notes: _____