



Setup Sheet

Driver: _____

Date: _____

Track: _____

- | | | |
|--|---------------------------------|--------------------------------------|
| <input type="checkbox"/> Indoor | <input type="checkbox"/> Smooth | <input type="checkbox"/> Slippery |
| <input type="checkbox"/> Outdoor | <input type="checkbox"/> Rough | <input type="checkbox"/> High-Bite |
| <input type="checkbox"/> Tight / <input type="checkbox"/> Open | | <input type="checkbox"/> Blue-Groove |

FRONT SUSPENSION *(Circle or Check the Appropriate Settings)*

Toe In _____ °
 Out _____ °

Ride Height _____

Camber - _____ °
 + _____ °

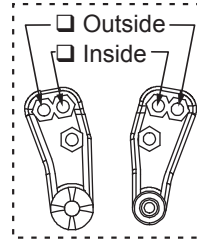
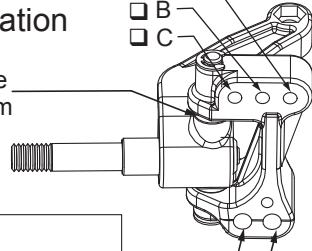
Caster Stock _____ °
 Other _____ °

Sway Bar No
 Yes size: _____

of washers under steering / tie-rod ball studs
 Spindle ball stud: _____
 Bellcrank ball stud: _____

Spindle Location

- A
- B
- C
- Top
- Middle
- Bottom

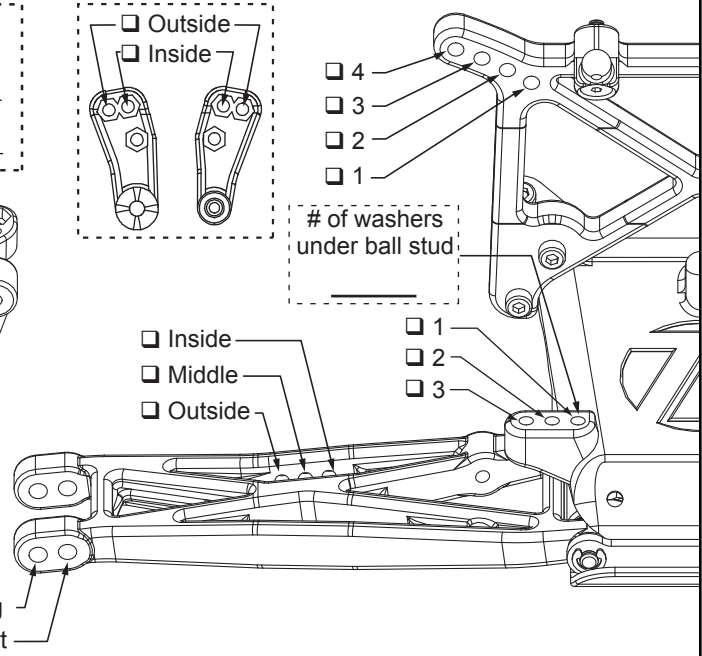


- 4
- 3
- 2
- 1

of washers under ball stud: _____

- Inside
- Middle
- Outside

- 1
- 2
- 3



Front Shocks

Oil: _____
 Piston: _____ Standard / Drilled
 Spring: _____ Internal: Yes / No
 Limiters: Inside- _____ Outside- _____

REAR SUSPENSION

Body: _____
 Spoiler: _____
 Toe-In Inside _____ °
 Outside _____ °

Pivot Support No Shim
 Shim Under Front — # of shims: _____ 1 Shim = 1°

Ride Height _____

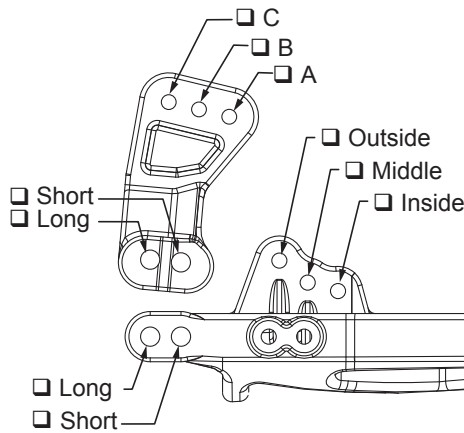
Camber - _____ °
 + _____ °

Drive Shafts Dogbones Aluminum
 CVDs Steel

Rear Hub Spacing Forward
 Center
 Rear

Sway Bar No
 Yes size: _____

- 4
- 3
- 2
- 1



- 1
- 2
- 3

- Outside
- Inside

Rear Shocks

Oil: _____
 Piston: _____ Standard / Drilled
 Spring: _____ Internal: Yes / No
 Limiters: Inside- _____ Outside- _____

Tires

	Compound	Foam
Front: _____	_____	_____
Rear: _____	_____	_____

Motor: _____ Pinion/Spur: ____ / ____

Battery Position: _____

Weather Conditions/Notes: _____