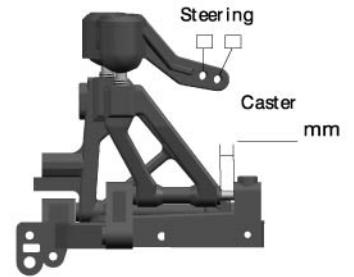
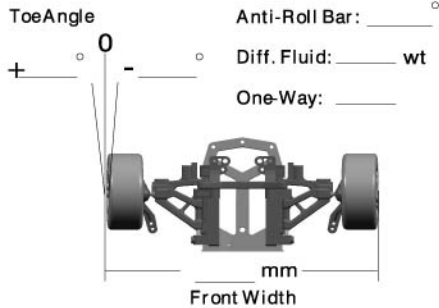
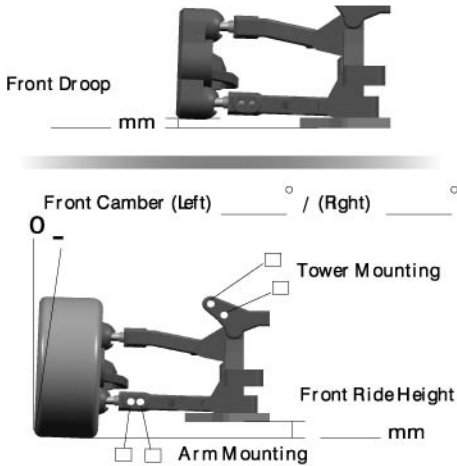


TRACK CONDITIONS

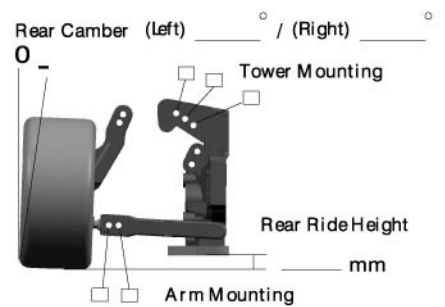
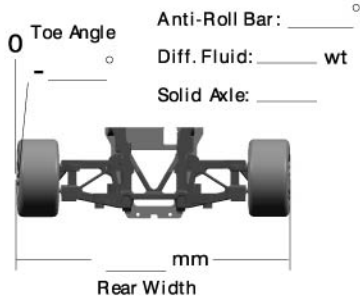
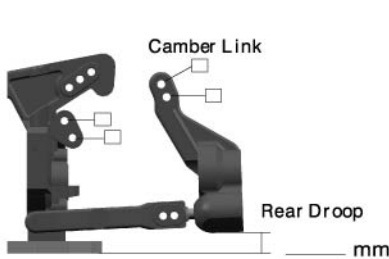
Date: _____ Driver: _____
 Event: _____ Car: _____
 Track: _____ Weight: _____ g

Surface: _____ Smooth _____ Med. _____ Bumpy
 Size: _____ Open _____ Med. _____ Tight
 Traction: _____ High _____ Med. _____ Low
 Track Temp / Air Temp: _____ ° / _____ °
 Note: _____

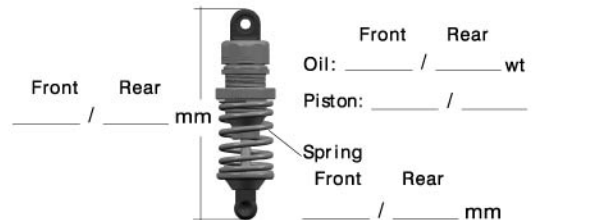
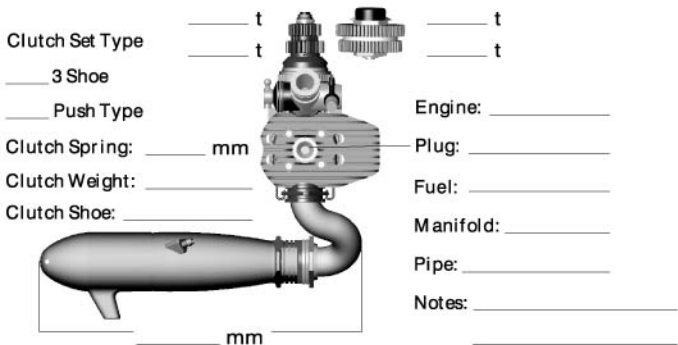
FRONT SUSPENSION



REAR SUSPENSION



ENGINE



Front Tire: _____ Rear Tire: _____

Shore: _____ Left _____ Right _____

Shore: _____ / _____ ° _____ / _____ °

Diameter (Start) _____ Left _____ Right _____ mm

Diameter (Finish) _____ / _____ mm _____ / _____ mm

COMMENTS

Lap / Race Time: _____

Best Lap Time: _____

Position: _____

Notes: _____



Body: _____

Radio: _____

ST. Servo: _____

TH. Servo: _____