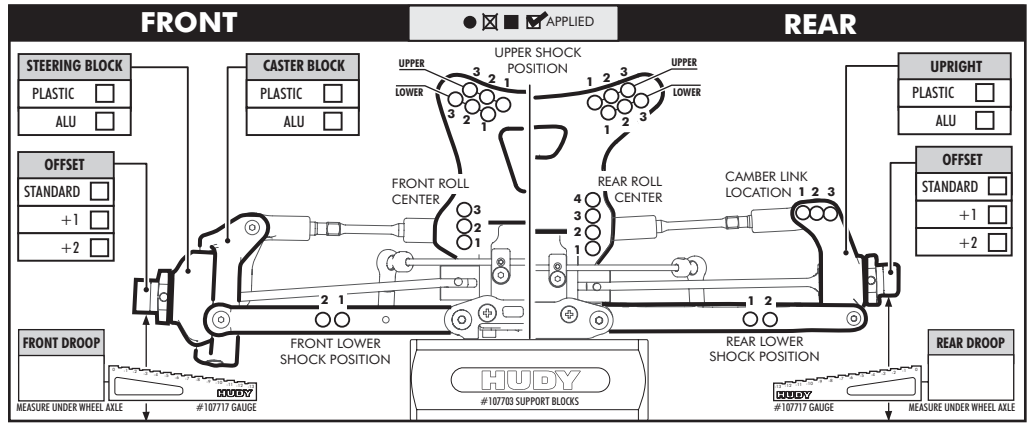


<b>RACE</b>			
<b>TRACK</b>			
<b>NAME</b>			
<b>CITY / COUNTRY</b>			
<b>CONTACT</b>			
<b>DATE</b>			
<b>TEMPERATURE / °F or °C</b>	<b>AIR</b>	<b>TRACK</b>	
<b>LAPS</b>	<b>FINAL POSITION</b>	<b>BEST LAP TIME / sec</b>	<b>RACE LENGTH / min.</b>



**TRACK SIZE**  OPEN  MEDIUM  TIGHT

**TRACK TRACTION**  HIGH  MEDIUM  LOW

**TRACK SURFACE**  SMOOTH  MEDIUM  BUMPY

**TRACK TYPE**  HARD PACKED  SOFT DIRT  CLAY  
 BLUE GROOVE  ASTRO TURF  GRASS

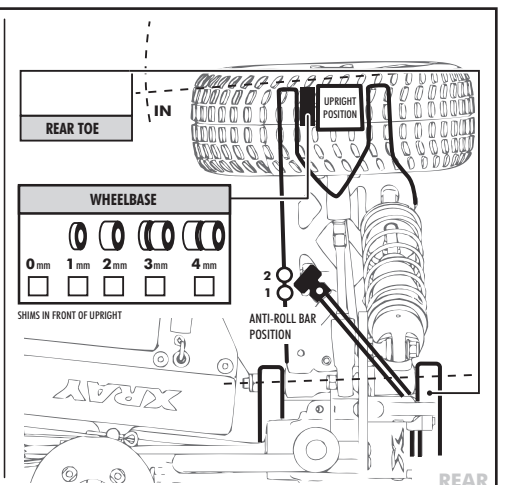
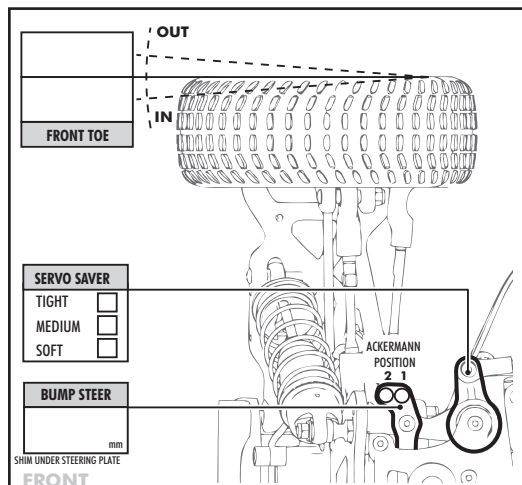
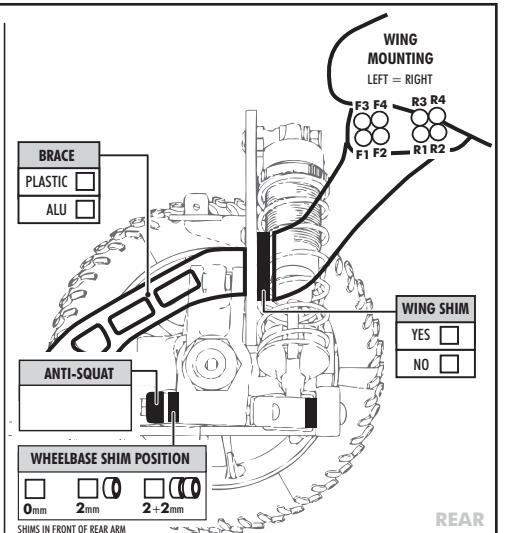
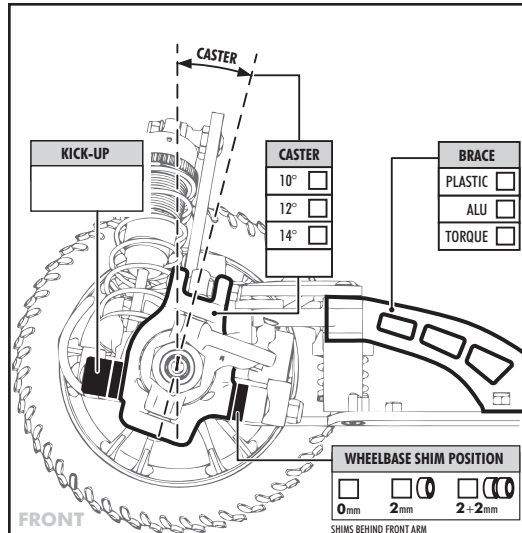
**TRACK CONDITION**  DRY  DUSTY  WET  MUD

DIFFERENTIALS		
TYPE		
FRONT	CENTER	REAR
DIFFERENTIAL - OIL		

### GEARING

<b>CLUTCH BELL</b>	T	<b>SPUR GEAR</b>	T
<b>PINION</b>	T	<b>CROWN GEAR</b>	T
<b>SPRING</b>		<b>SHOE</b>	

FRONT	SHOCKS	REAR
#358182 C = 0.65 <input type="checkbox"/>	<b>WHITE</b> <input type="checkbox"/>	#358282 C = 0.47 <input type="checkbox"/>
#358183 C = 0.70 <input type="checkbox"/>	<b>GREY</b> <input type="checkbox"/>	#358283 C = 0.50 <input type="checkbox"/>
#358184 C = 0.75 <input type="checkbox"/>	<b>SILVER</b> <input type="checkbox"/>	#358284 C = 0.53 <input type="checkbox"/>
#358185 C = 0.80 <input type="checkbox"/>	<b>GREY-BLUE</b> <input type="checkbox"/>	#358285 C = 0.57 <input type="checkbox"/>
#358186 C = 0.86 <input type="checkbox"/>	<b>BLUE</b> <input type="checkbox"/>	#358286 C = 0.61 <input type="checkbox"/>
#358187 C = 0.92 <input type="checkbox"/>	<b>VIOLET</b> <input type="checkbox"/>	#358287 C = 0.65 <input type="checkbox"/>
#358188 C = 0.98 <input type="checkbox"/>	<b>PURPLE</b> <input type="checkbox"/>	#358288 C = 0.70 <input type="checkbox"/>
	<b>OTHER</b>	
	<b>OIL / cST</b>	
	<b>REBOUND / %</b>	
1.3 mm <input type="checkbox"/>	<b>PISTONS HOLES SIZE</b>	1.3 mm <input type="checkbox"/>
1.4 mm <input type="checkbox"/>		1.4 mm <input type="checkbox"/>
1.5 mm <input type="checkbox"/>		1.5 mm <input type="checkbox"/>
	<b>OTHER</b>	



FRONT	ANTI ROLL BAR	REAR
	THICKNESS / mm	

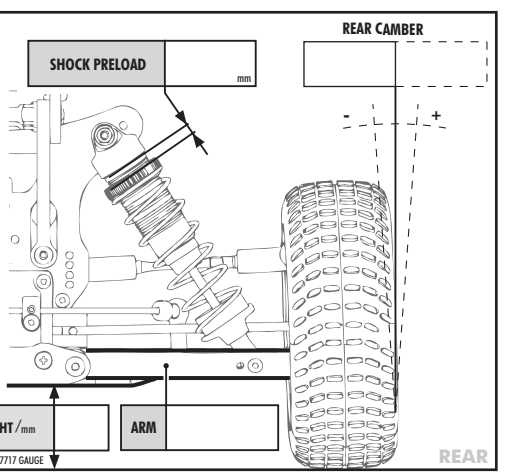
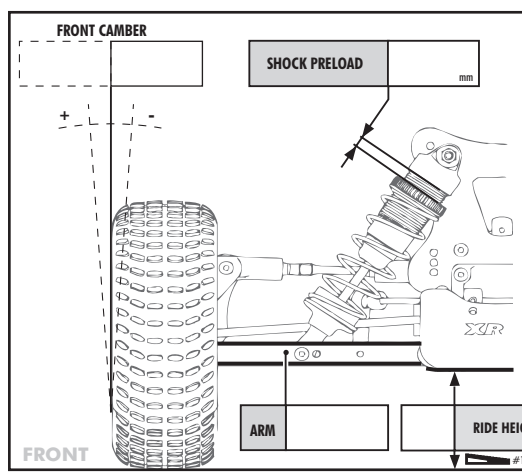
FRONT	TIRES	REAR
	TYPE	
	INSERTS	
	WHEELS	

### ENGINE

<b>TYPE</b>	
<b>MANIFOLD</b>	
<b>MUFLER</b>	
<b>PLUG</b>	
<b>FUEL</b>	

### BODY

<b>TYPE</b>	
-------------	--



### COMMENTS