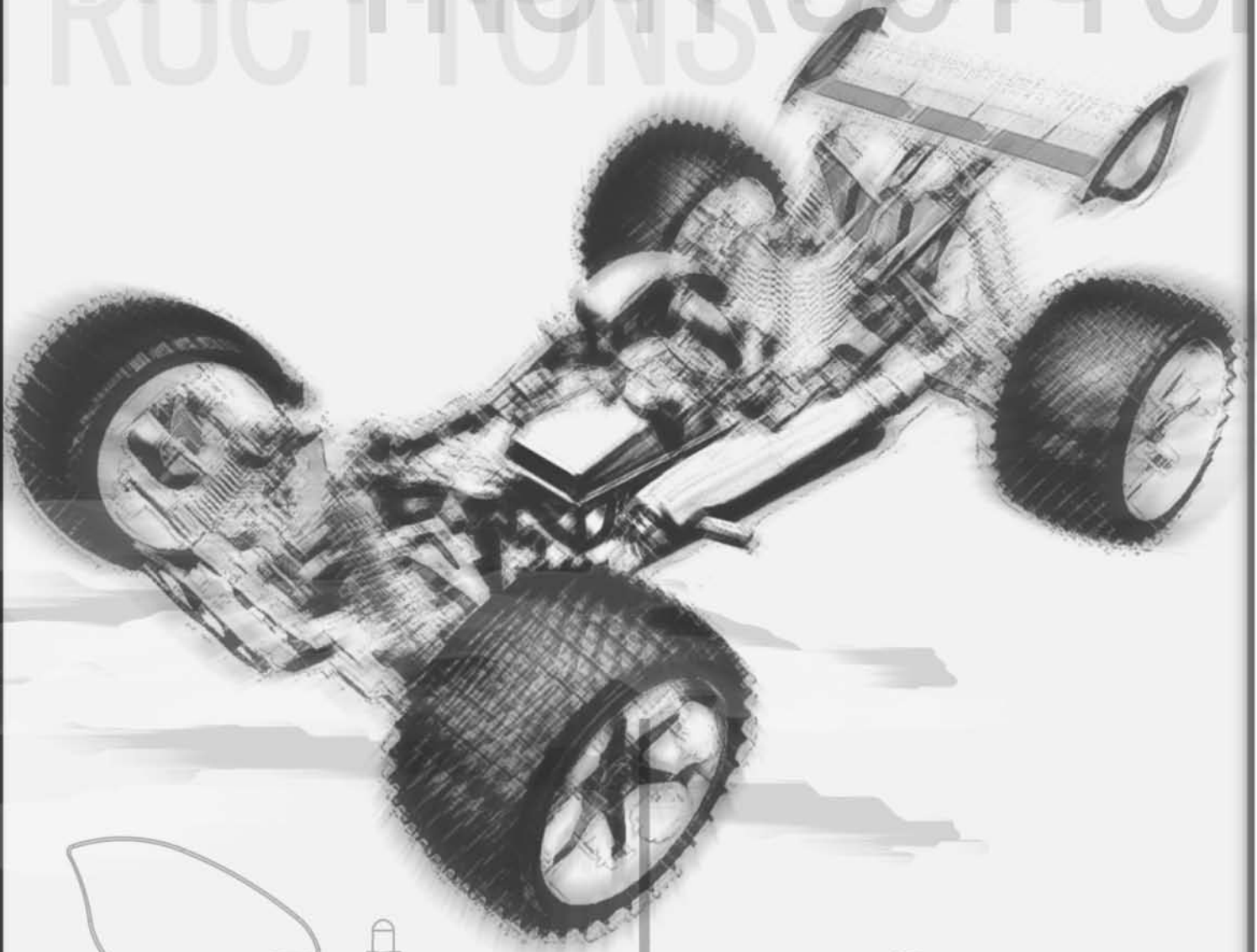


HYPER[★]ST

RTR WITH PRO PERFORMANCE

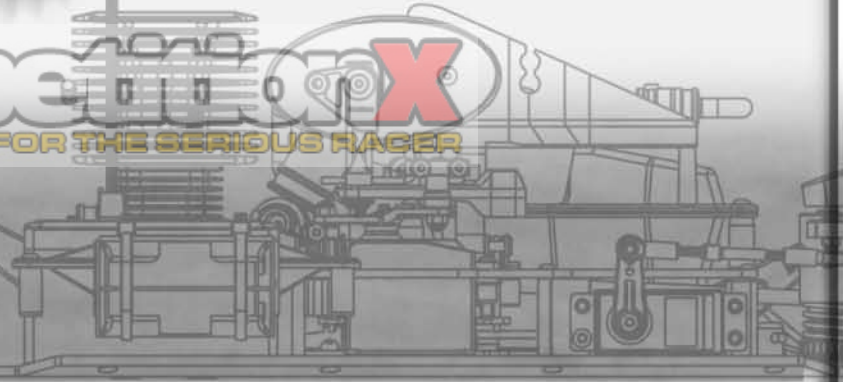
1/8 Scale Gas Powered Racing Truggy

INSTRUCTIONS MANUAL



Competition X
A WEB SITE FOR THE SERIOUS RACER

HoBao



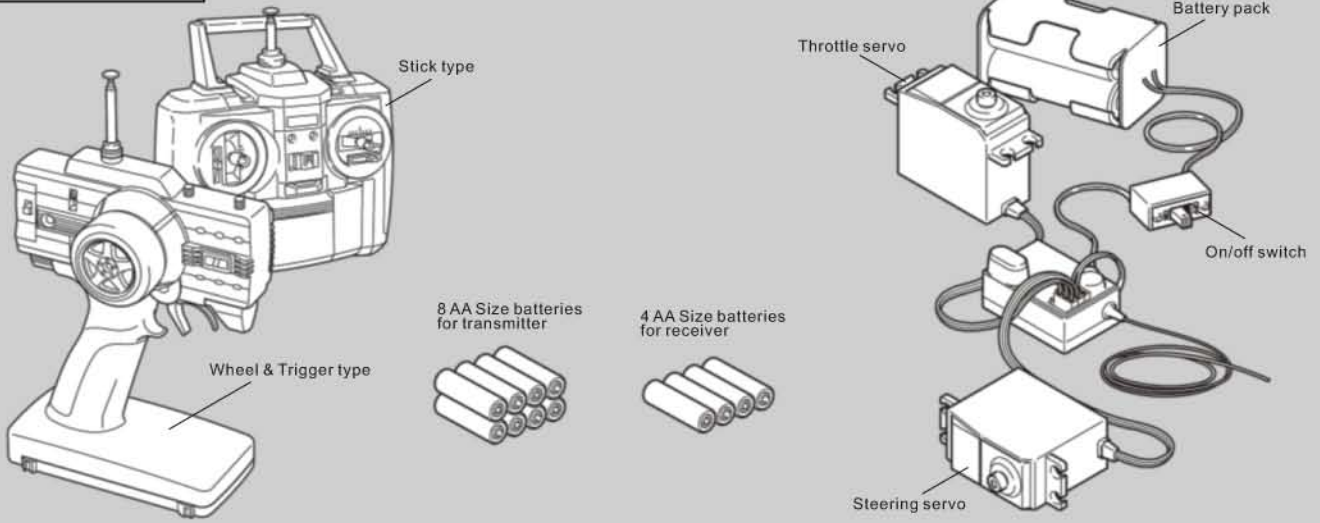
HYPER★ST

RTR WITH PRO PERFORMANCE

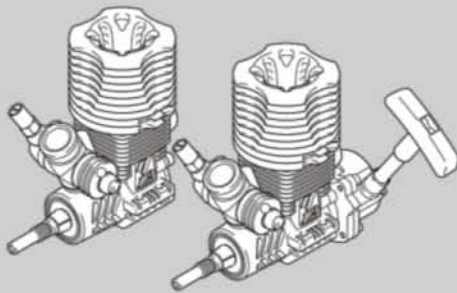


Required

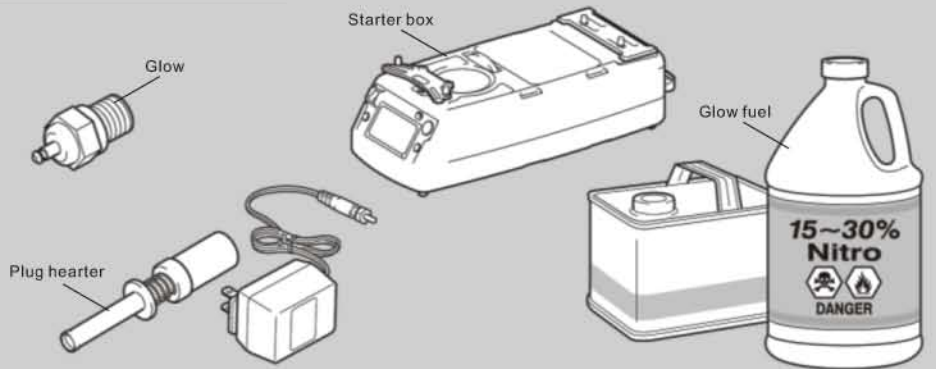
Radio control equipment set



Mac★28 Engine series



Required for engine starting



Tools recommended

Hex wrench with 2.5mm



2mm



1.5mm



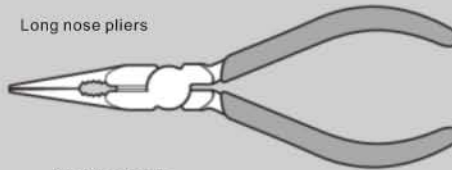
⊕ Screwdriver (small)



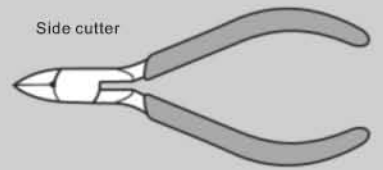
⊖ Screwdriver



Long nose pliers



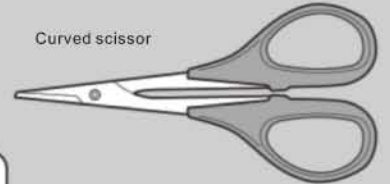
Side cutter



Modeling knife



Curved scissor



Instant cement



Thread lock



Instant cement



Rubber cement



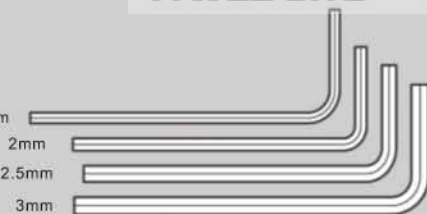
Gear Diff Silicone Oil

Rubber Cement

Included items

Hex wrench with

1.5mm



2mm

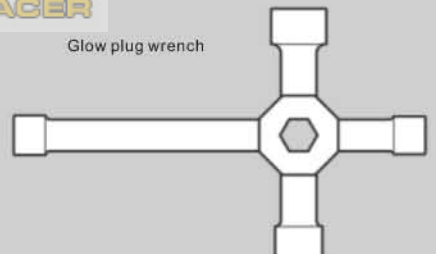
2.5mm

3mm

Fuel bottle



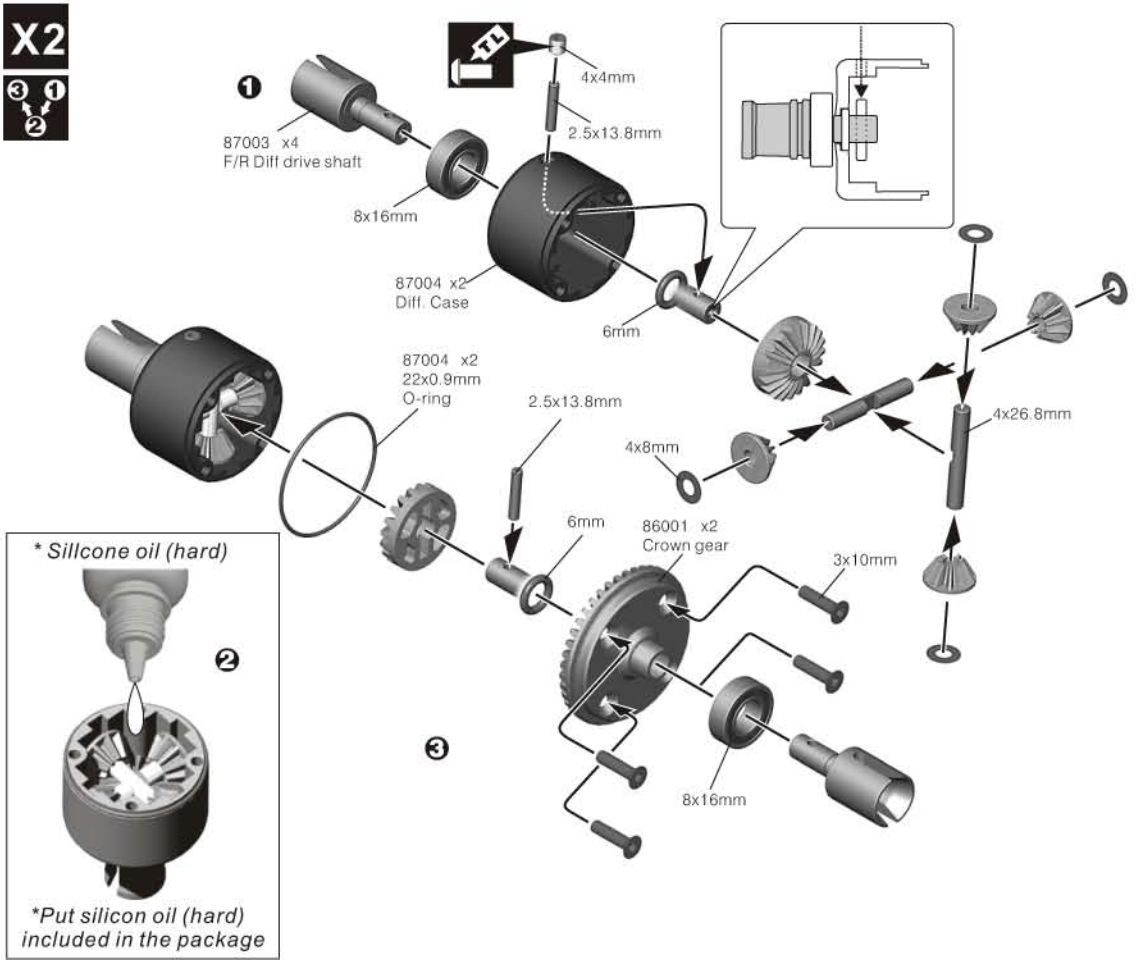
Glow plug wrench



A WEB SITE FOR THE SERIOUS RACER

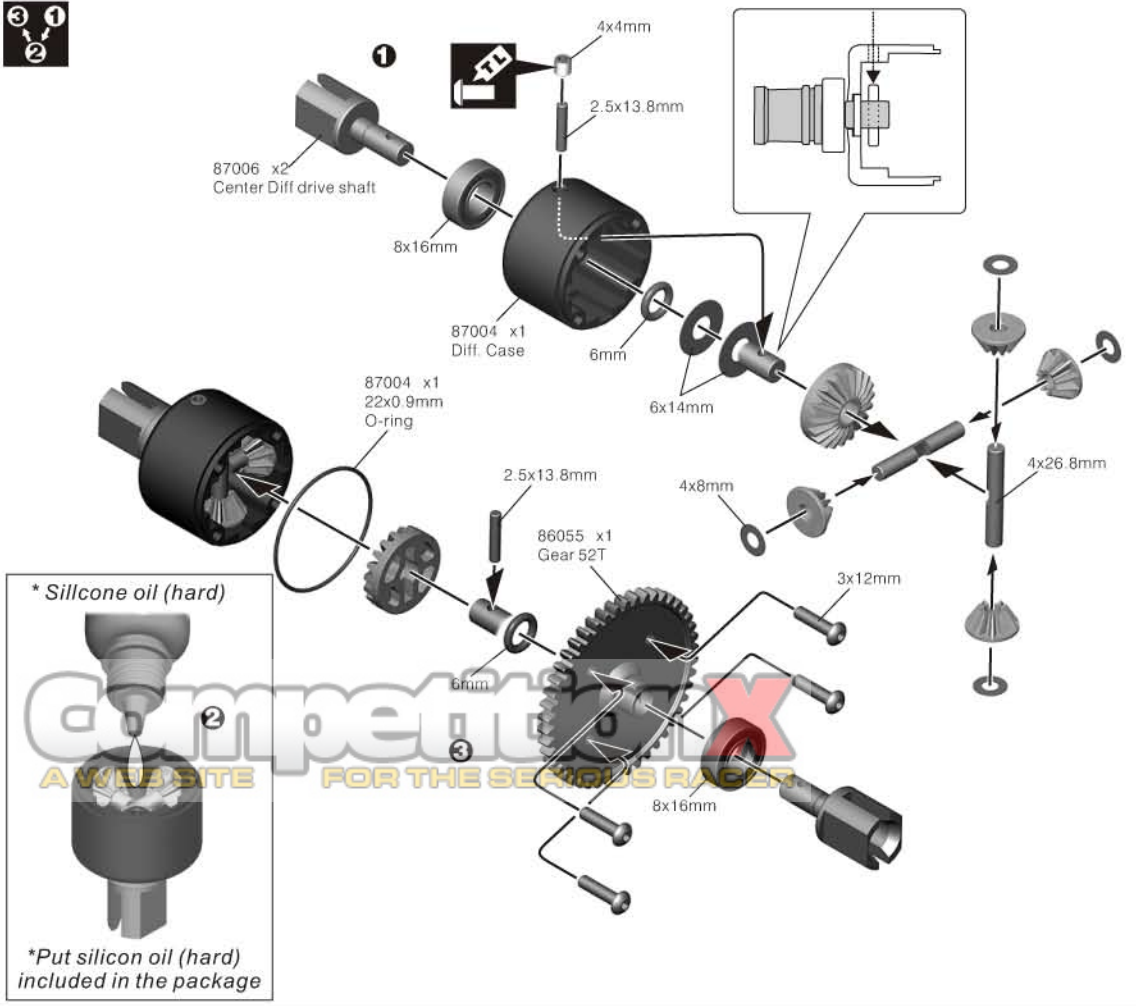
1 Assembly of Front / Rear Diff.

-  84076 x4
8x16mm
Ball bearing
-  87003 x4
2.5x13.8mm
Shaft
-  87002 x4
4x26.8mm
Shaft
-  87004 x4
6mm
O-ring
-  87002 x8
4x8mm
Washer
-  87002 x8
Small bevel gear
-  87002 x4
Large bevel gear
-  38404 x2
4x4mm
Set screws
-  31312 x8
3x12mm
F/H screw




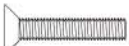



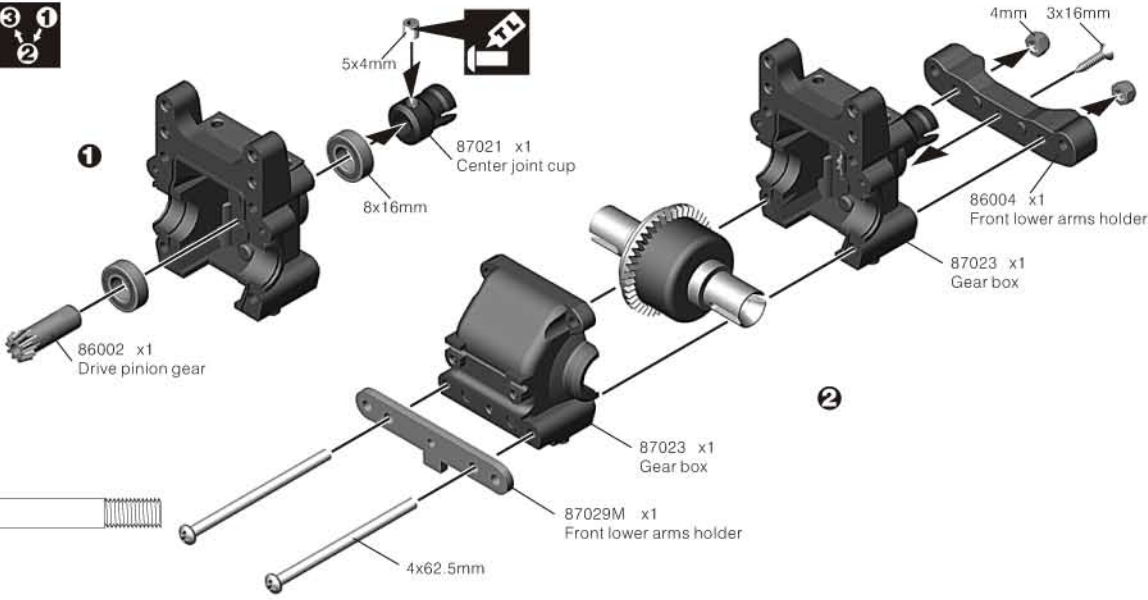
2 Assembly of Center Diff.

-  84076 x2
8x16mm
Ball bearing
-  87006 x2
2.5x13.8mm
Shaft
-  87002 x2
4x26.8mm
Shaft
-  87004 x2
6mm
O-ring
-  87002 x4
4x8mm
Washer
-  87005 x2
6x14mm
Washer
-  87002 x4
Small bevel gear
-  87002 x2
Large bevel gear
-  38404 x1
4x4mm
Set screws
-  33312 x4
3x12mm
screws



3 Assembly of Front Gear Box

	38504 x1 5x4mm Set screw
	84076 x2 8x16mm Ball bearing
	87023 x2 4mm Nylon nut
	31316 x1 3x16mm F/H screws
	87023 x2 4x62.5mm screws



86002 x1 Drive pinion gear

5x4mm

87021 x1 Center joint cup

8x16mm

87023 x1 Gear box

86004 x1 Front lower arms holder


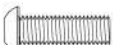
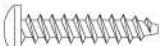
87023 x1 Gear box

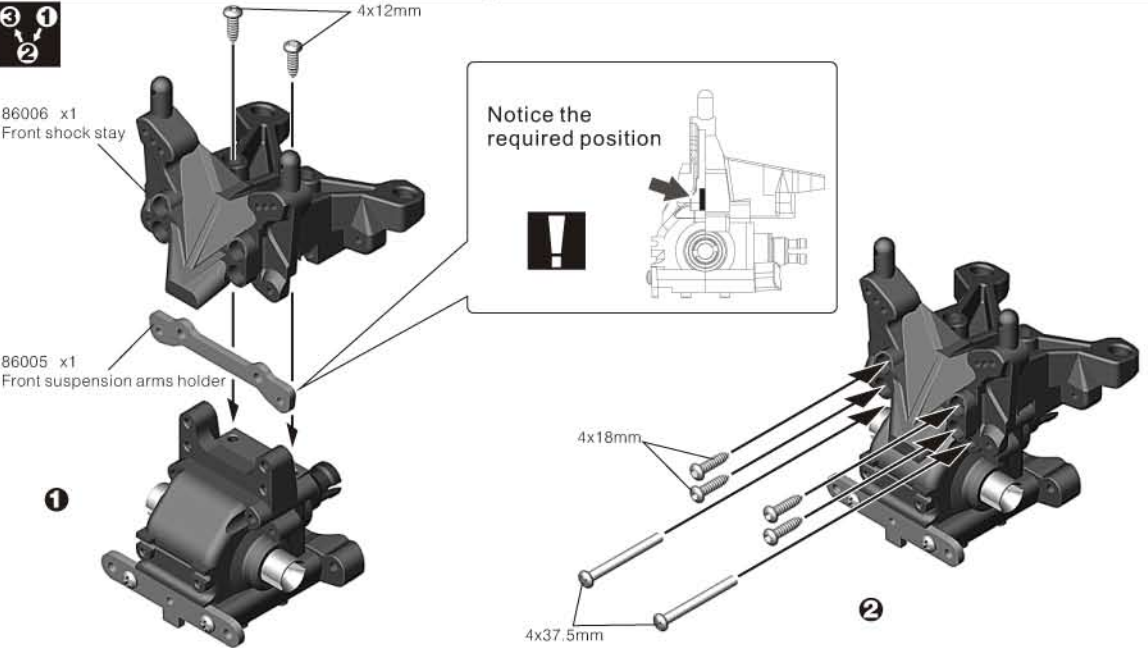
87029M x1 Front lower arms holder

4x62.5mm

4mm 3x16mm

4 Assembly of Front Shock Stay

	87023 x2 4x37.5mm screws
	33412 x2 4x12mm screws
	33418T x4 4x18mm TP screws



4x12mm

86006 x1 Front shock stay


86005 x1 Front suspension arms holder

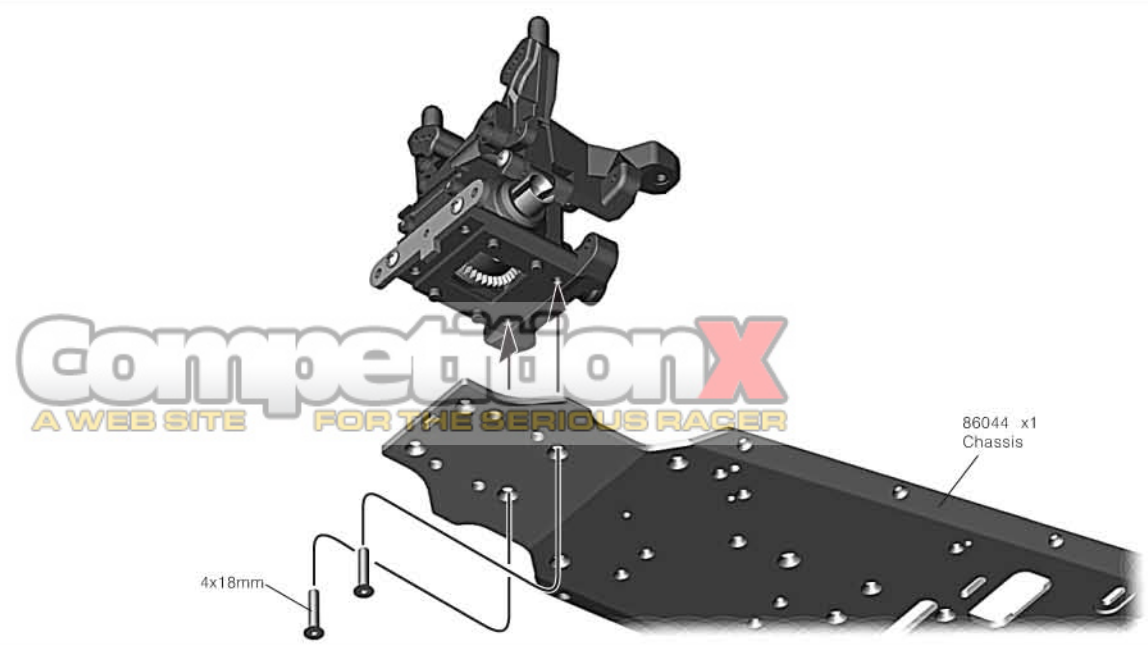
4x18mm

4x37.5mm

Notice the required position

5 Assembly of the Front Diff. onto Chassis

	31418 x2 4x18mm F/H screws
--	----------------------------------

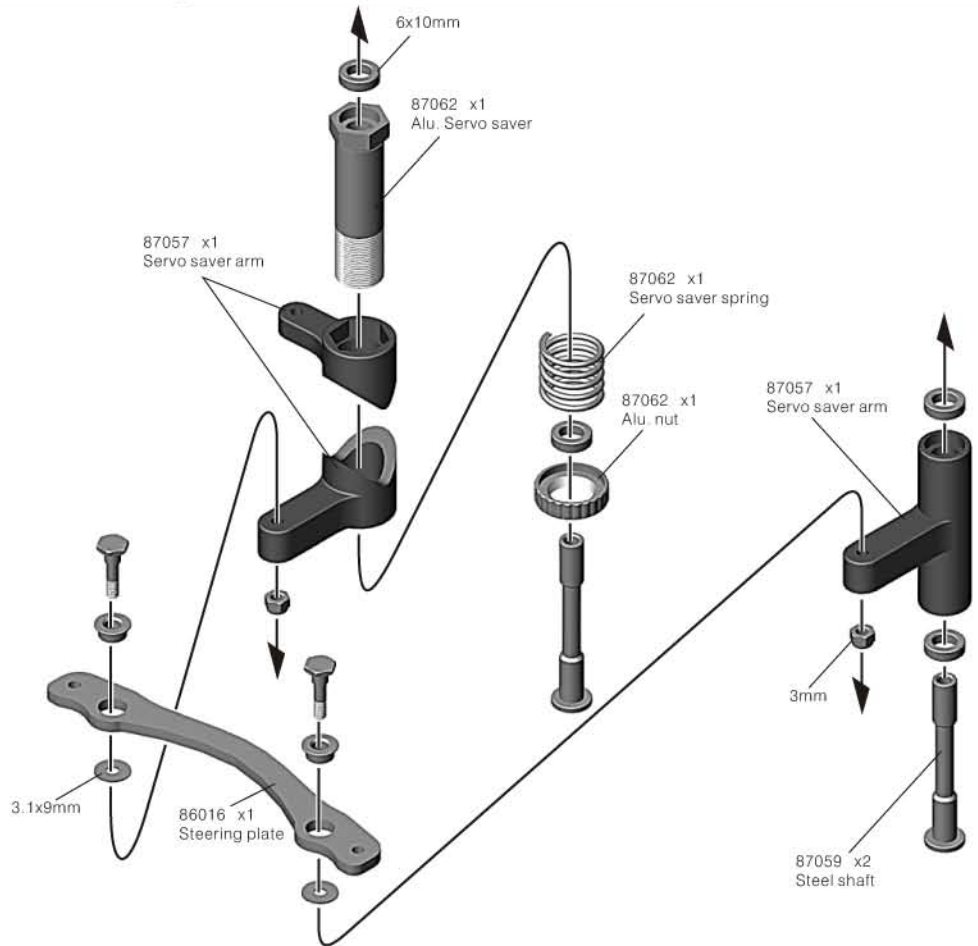


86044 x1 Chassis

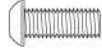
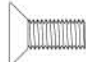

4x18mm

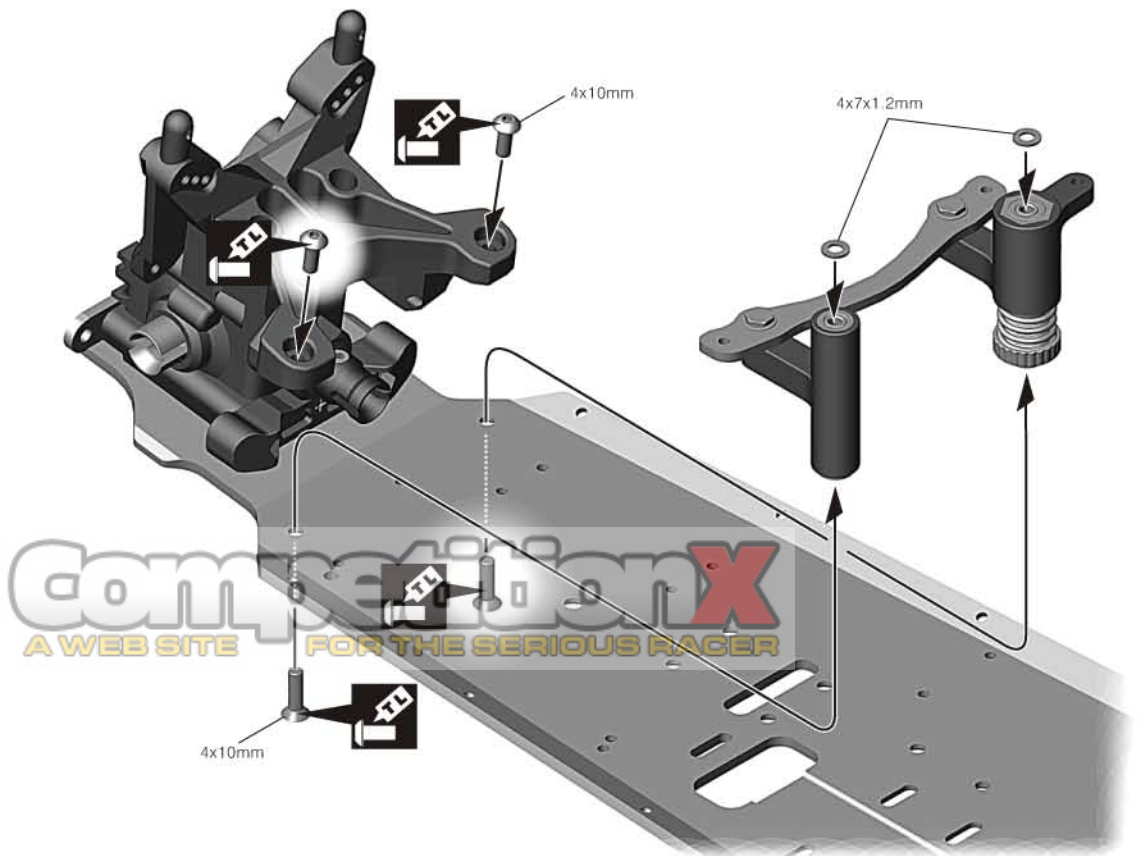
6 Assembly of Steering Servo Saver Arms

-  86017 x2 Steering pin
-  87060 x4 6x10mm bushing
-  86017 x2 steel collar
-  39008 x2 3mm Nylon nut
-  86017 x2 3.1x9mm washer

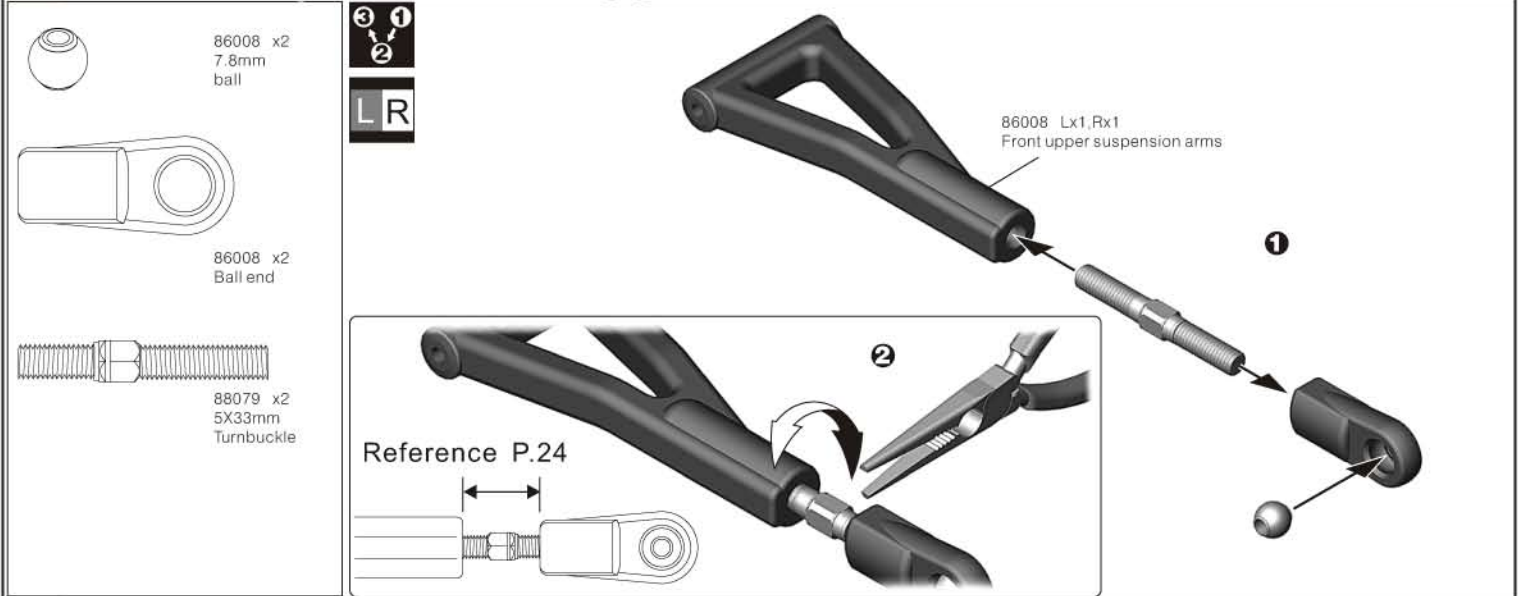


7 Assembly of Steering System onto Chassis

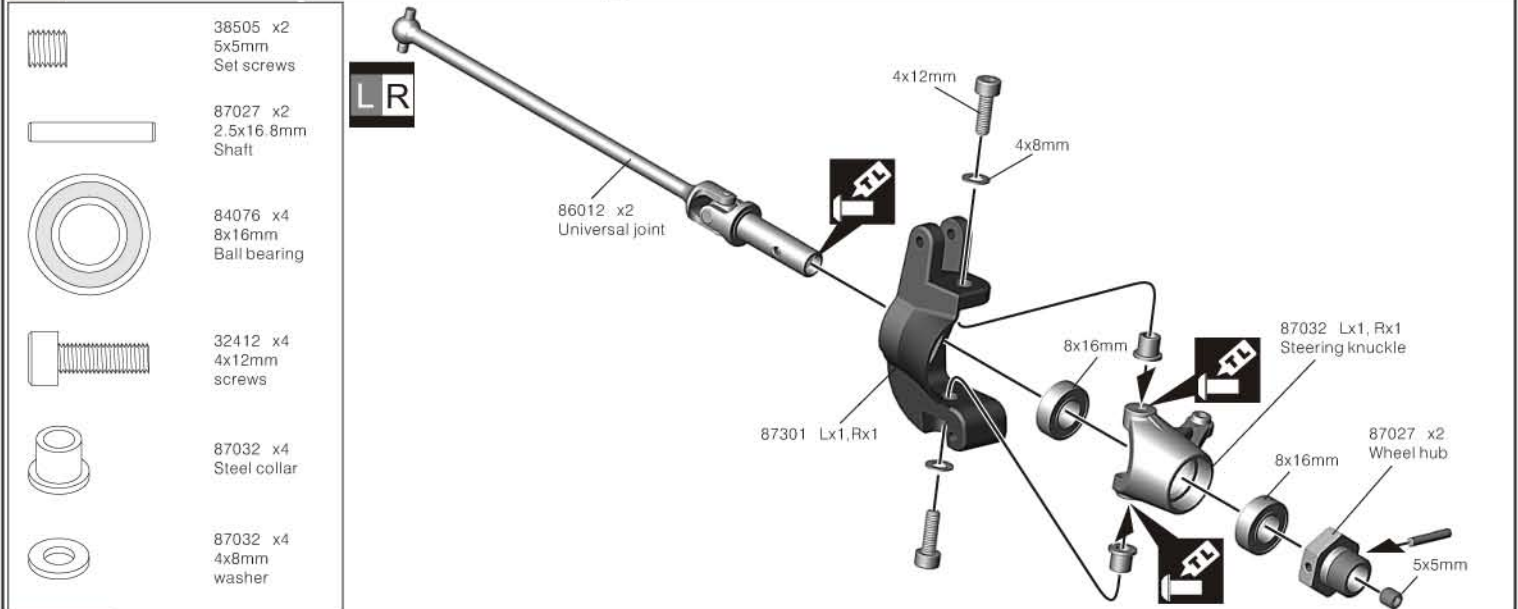
-  33410 x2 4x10mm screws
-  31410 x2 4x10mm F/H screws
-  86017 x2 4x7x1.2mm washer



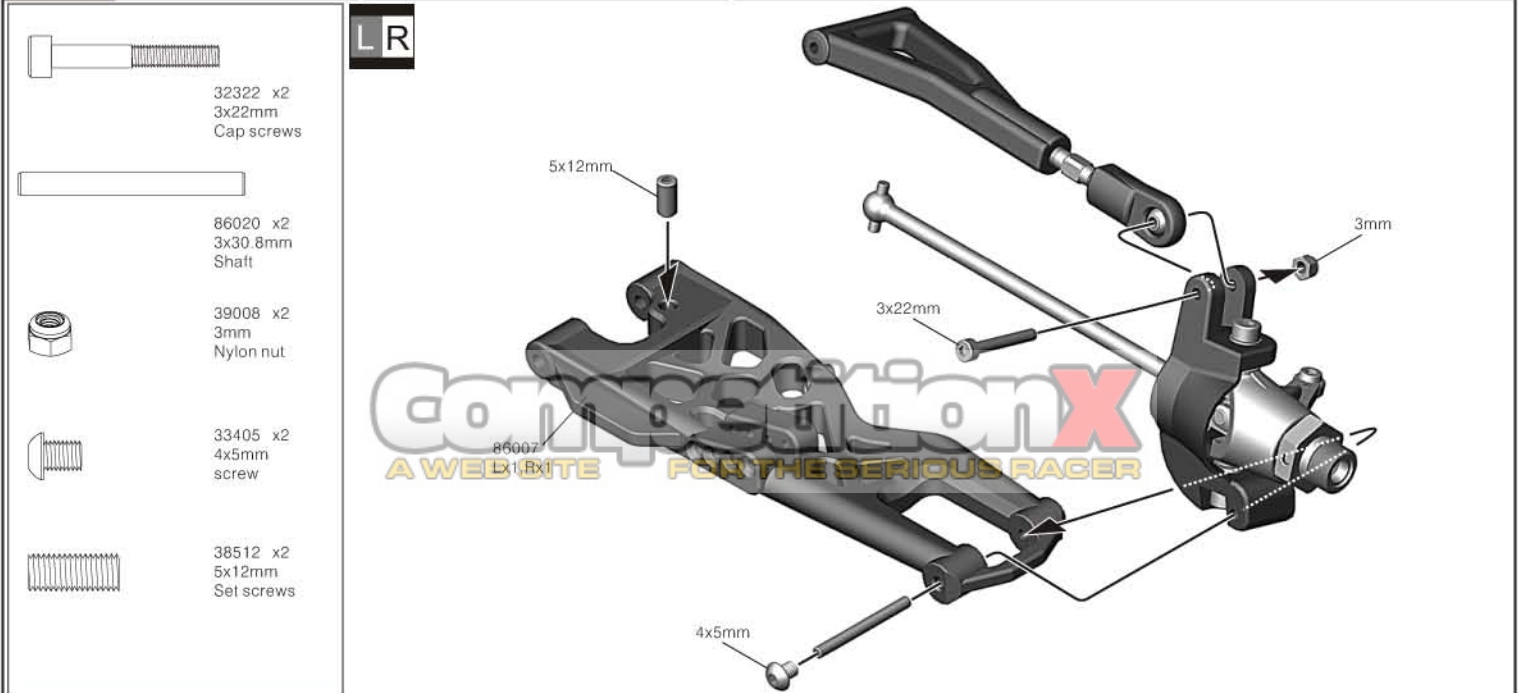
8 Assembly of Front Upper Arms







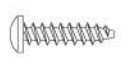

9 Assembly of Steering Knuckle





10 Assembly of Front Suspension Arms




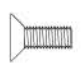


11 Assembly of Front Suspension Arms

	86011 x2 4x65.7mm Shaft	LR
	86020 x2 3x54mm Shaft	
	86009 x2 1.5mm	
	31316 x1 3x16mm F/H screws	
	33312T x2 3x12mm TP screws	
	86006 Lx1,Rx1 Front upper suspension shaft bolt	

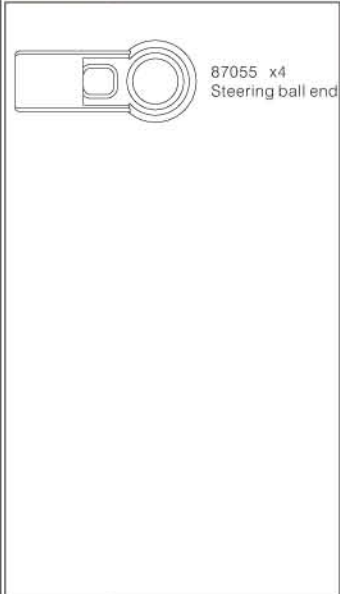
12 Assembly of the Front Stabilizer

	32316 x2 3x16mm cap screws	3 1 2
	38312 x2 3x12mm set screws	

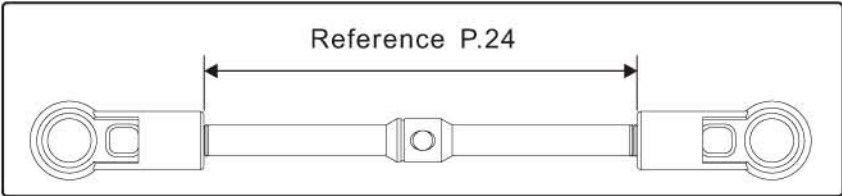
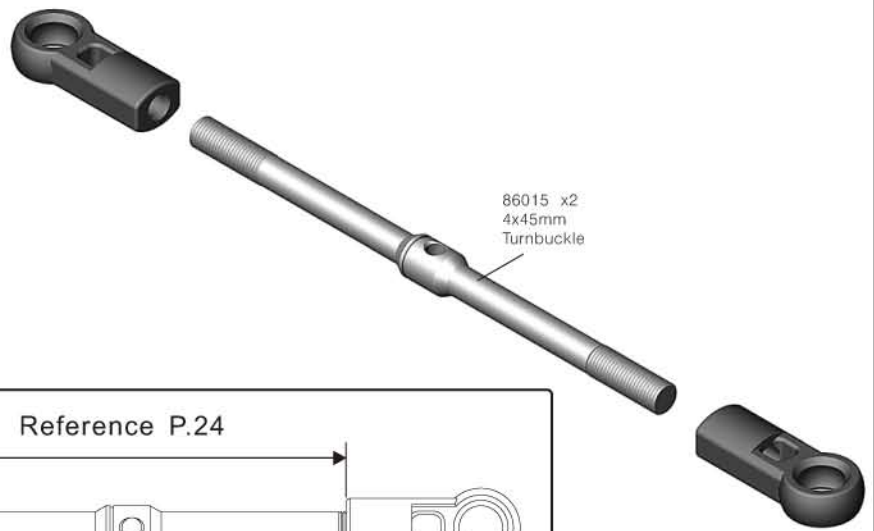
13 Assembly of Front Bumper

	31418 x2 4x18mm F/H screws
	31308 x2 3x8mm F/H screws
	86013 x2 Alum collar
	38303 x2 3x3mm set screws

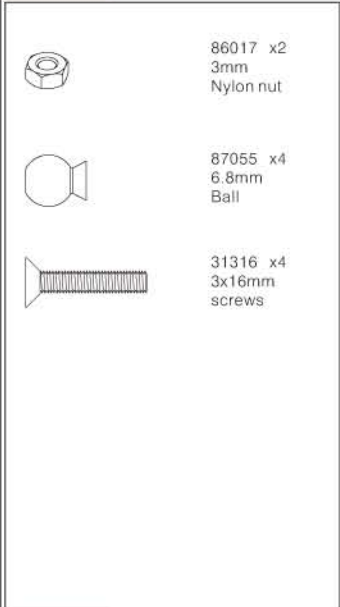
14 Assembly of Steering Rod



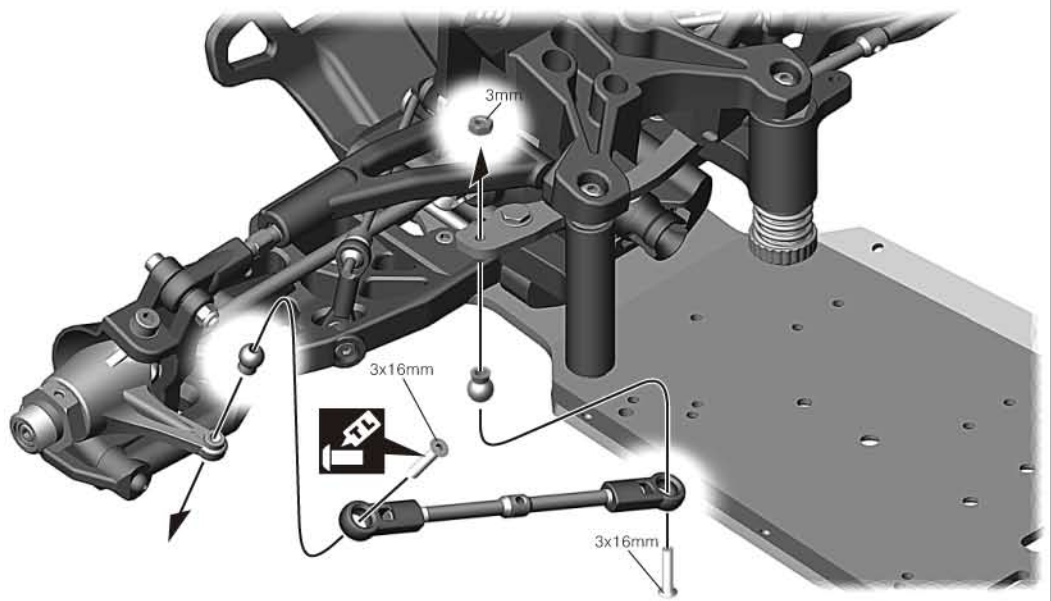
X2



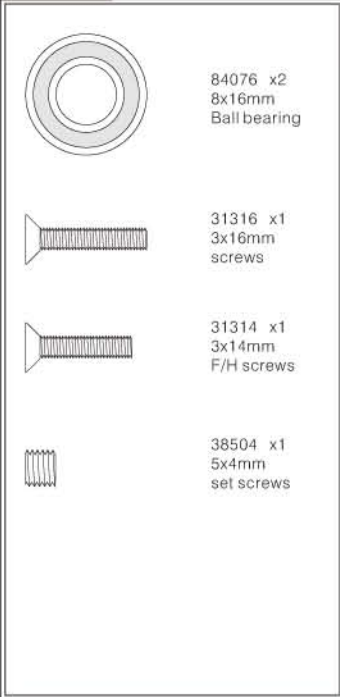
15 Assembly of Steering Rod



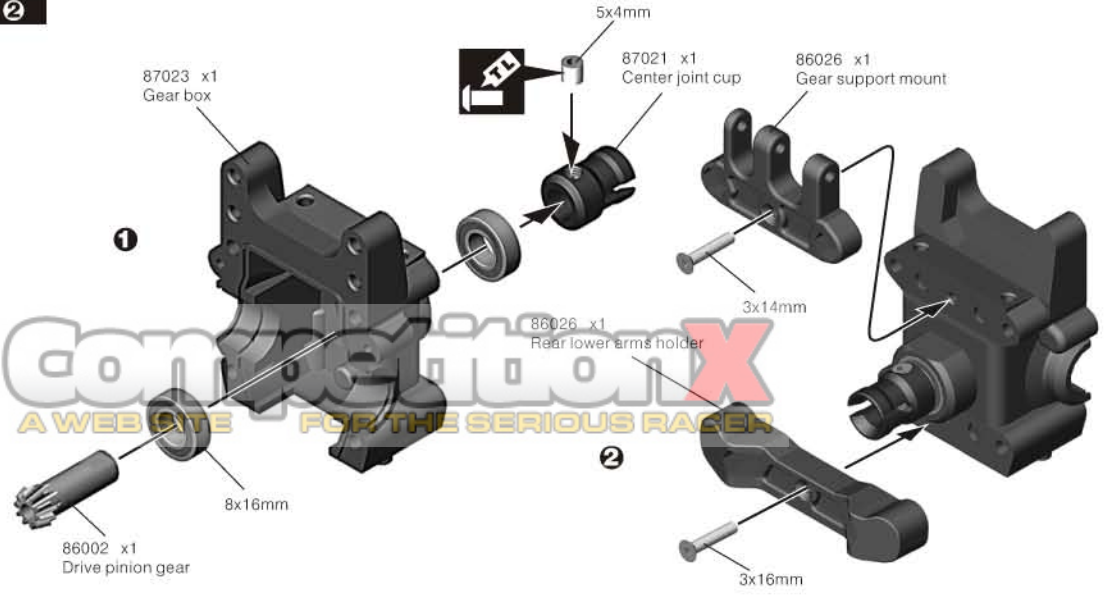
LR



16 Assembly of Rear Gear Box

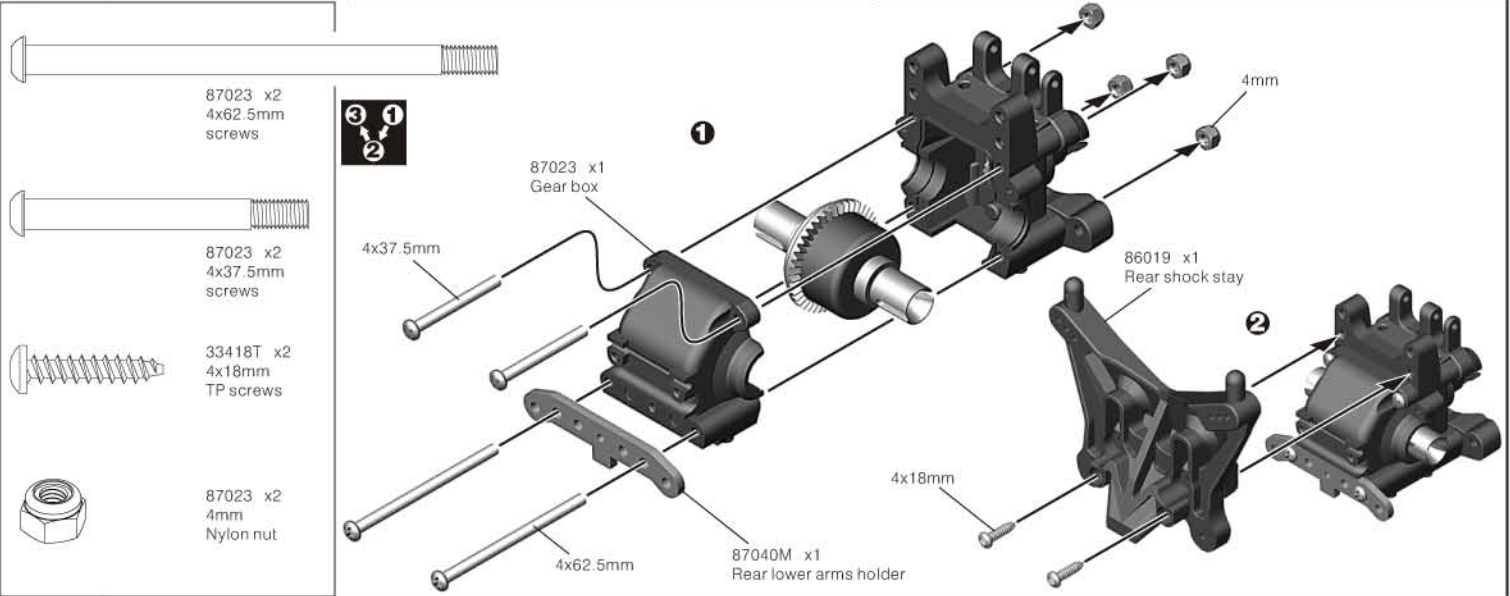


3 1 2

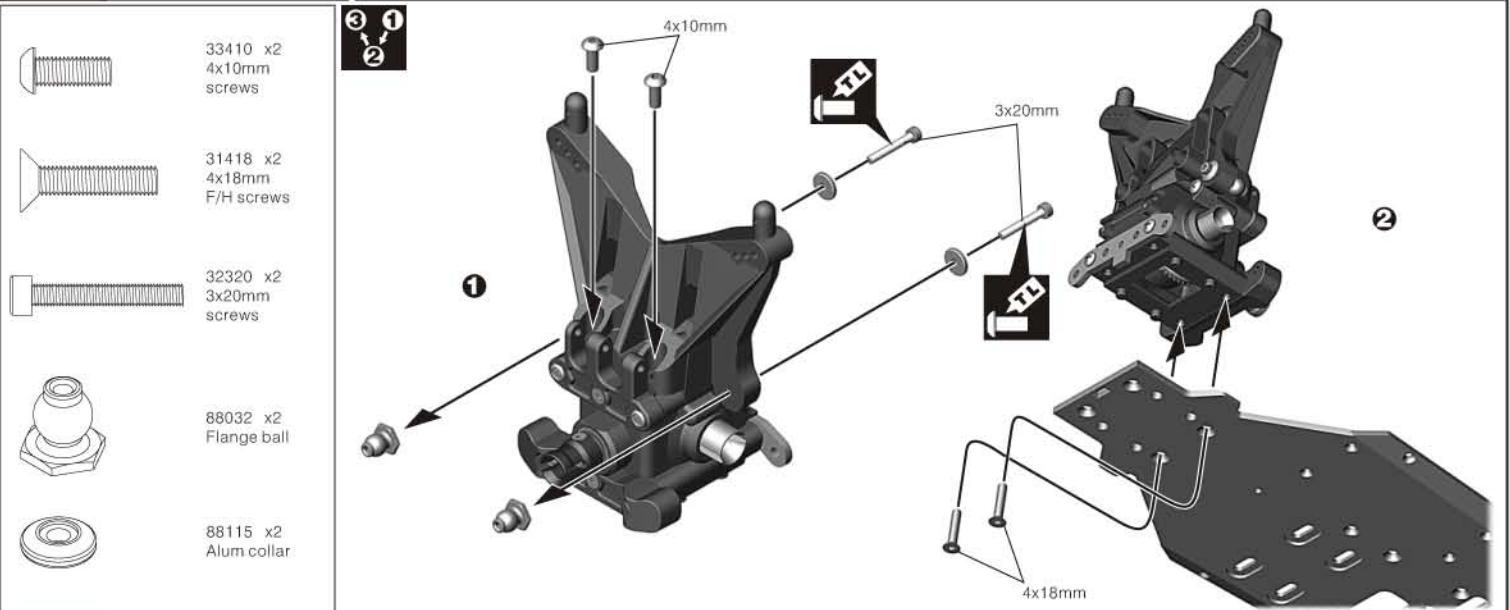


Competition X
A WEB SITE FOR THE SERIOUS RACER

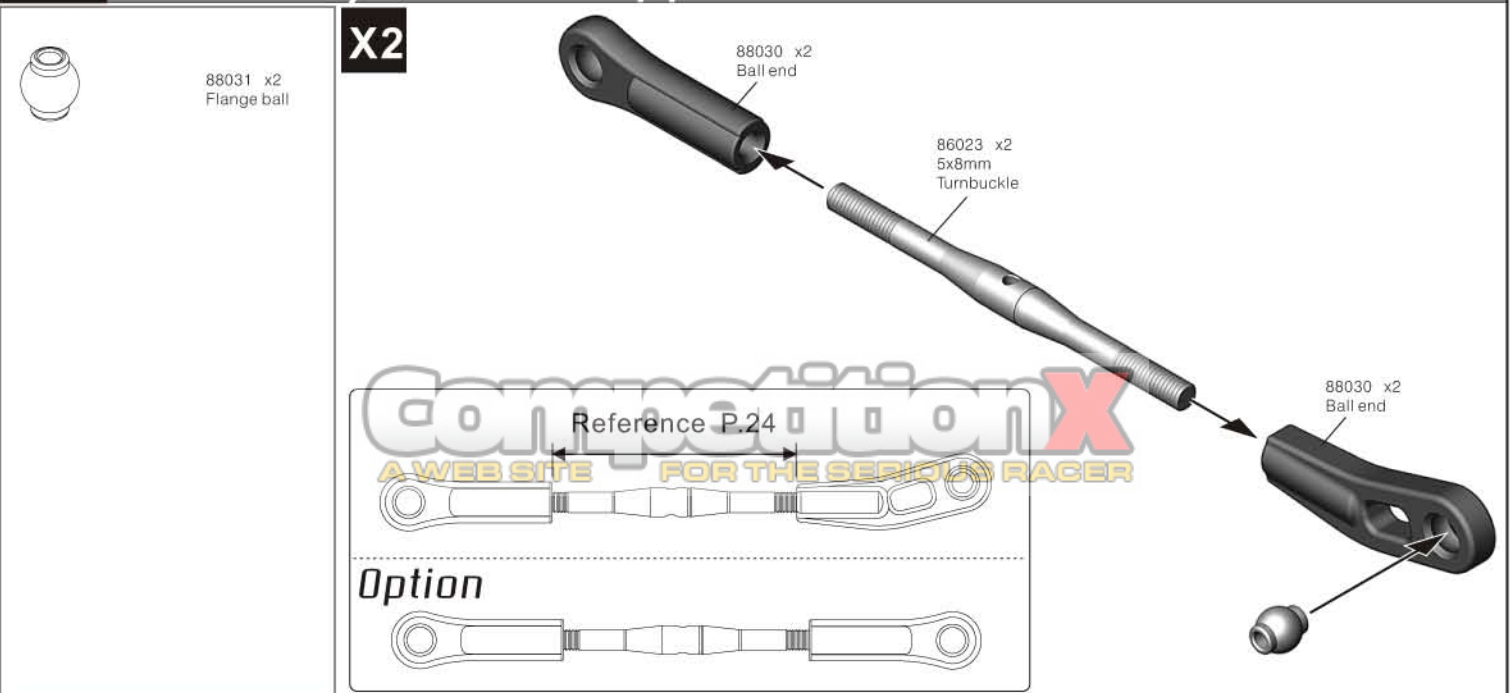
17 Assembly of Rear Shock Stay



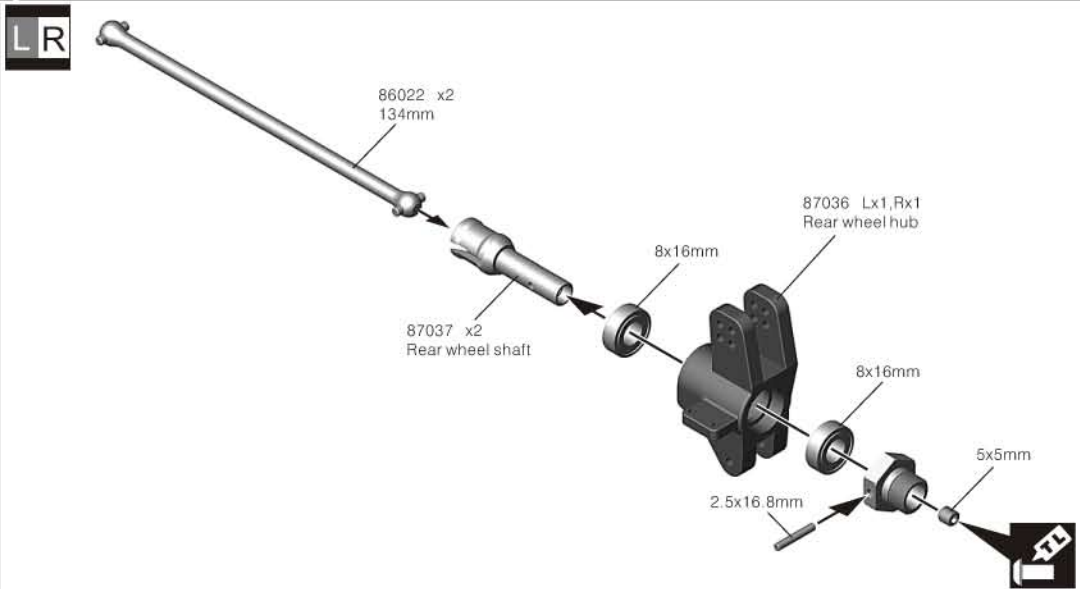
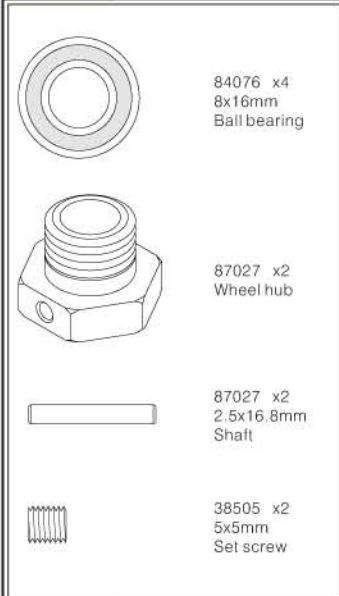
18 Assembly of the Rear Diff. onto Chassis



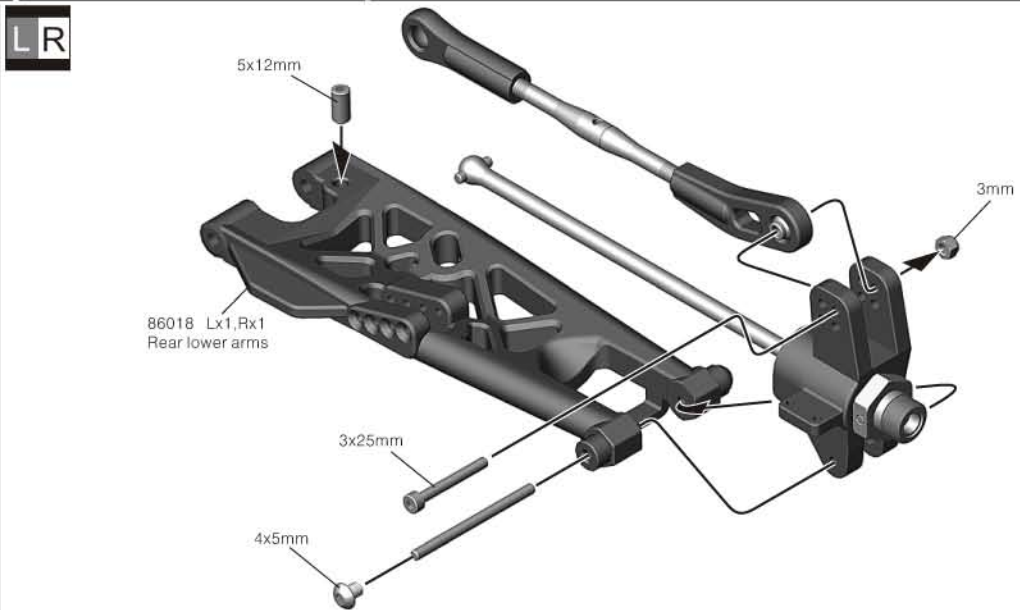
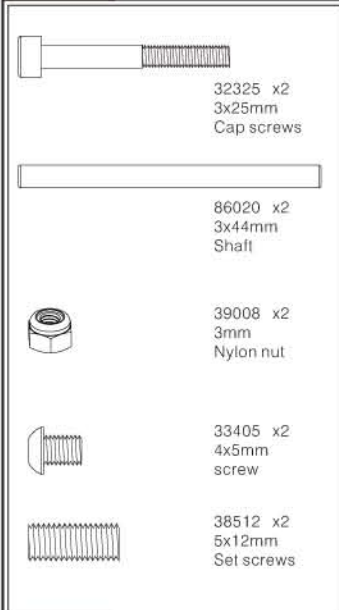
19 Assembly of Rear Upper Arms



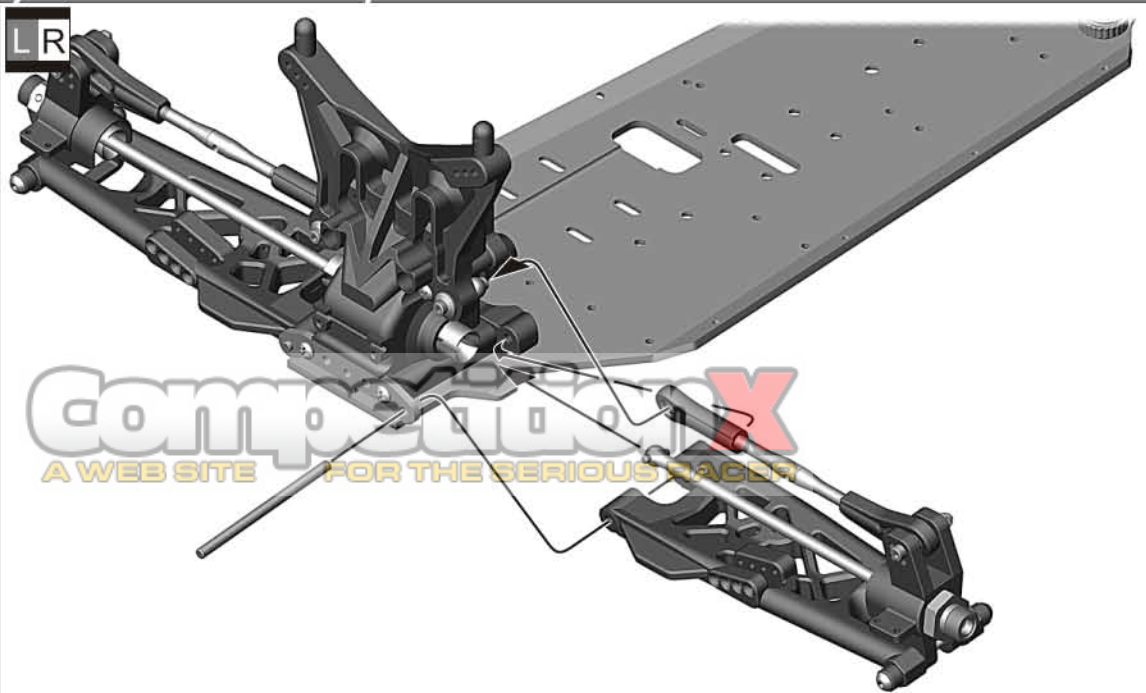
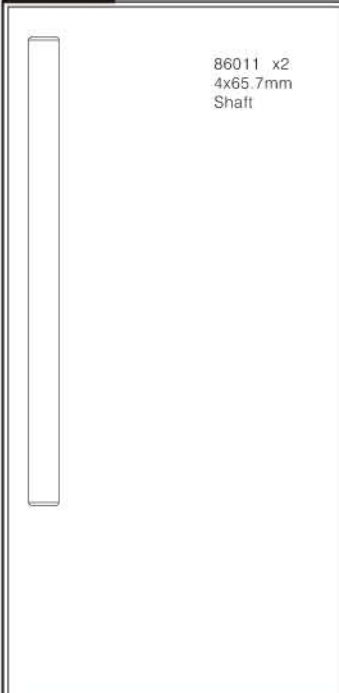
20 Assembly of Rear Universal Joint Shaft




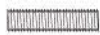
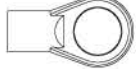


21 Assembly of Rear Suspension arms

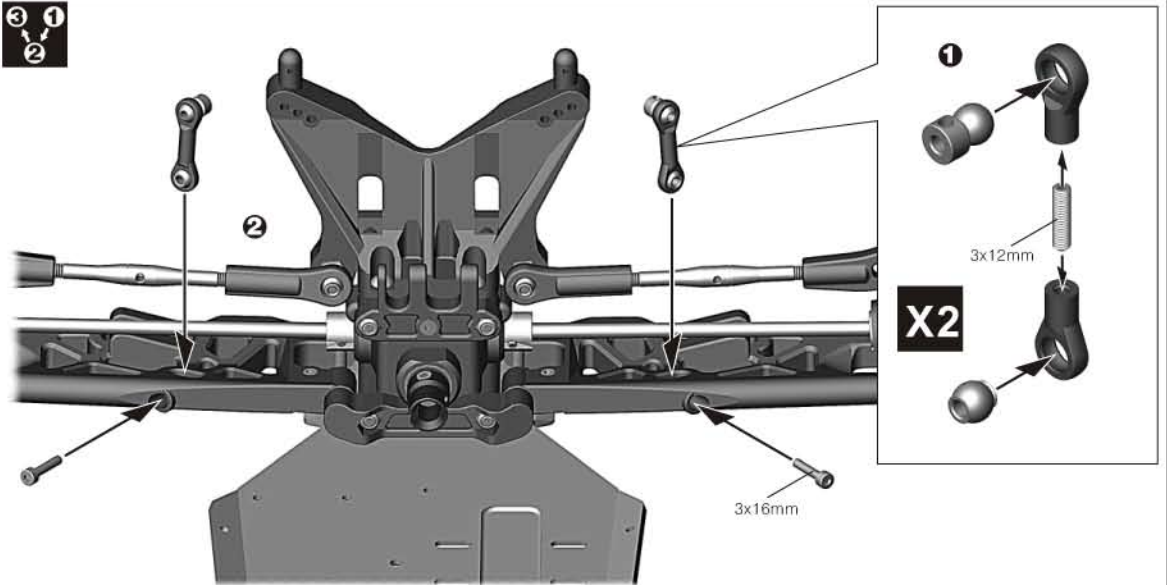


22 Assembly of Rear Suspension arms








23 Assembly of Rear Stabilizer

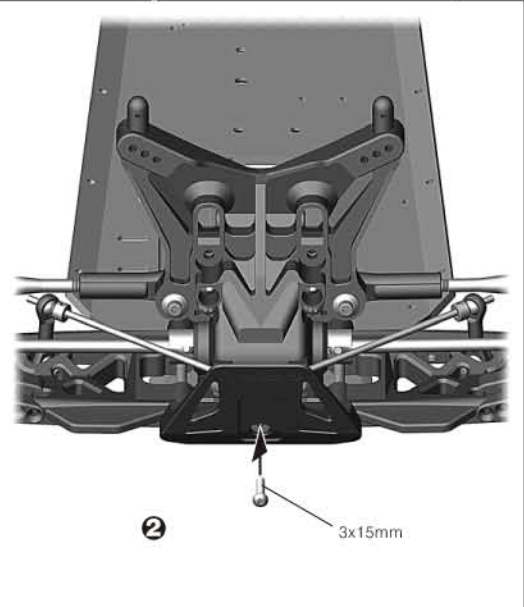
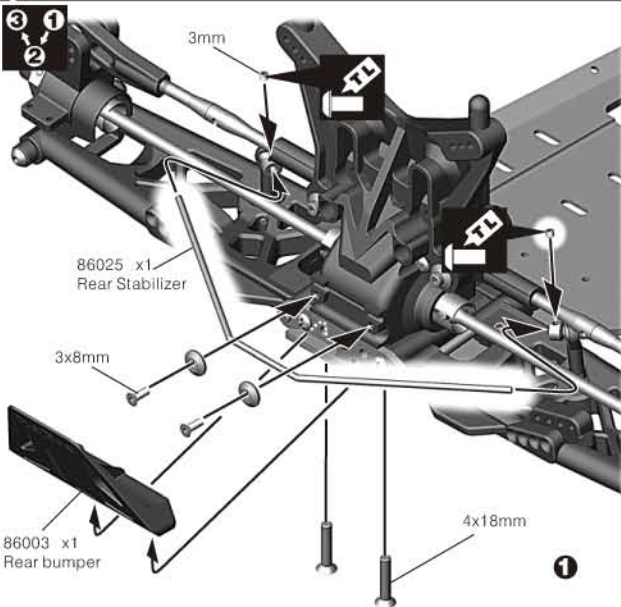
-  32315 x2
3x16mm
cap screws
-  38312 x2
3x12mm
set screws
-  86025 x4
Ball end
-  86025 x2
Pivot ball Collar
-  86025 x2
Steel ball





24 Assembly of Rear Stabilizer

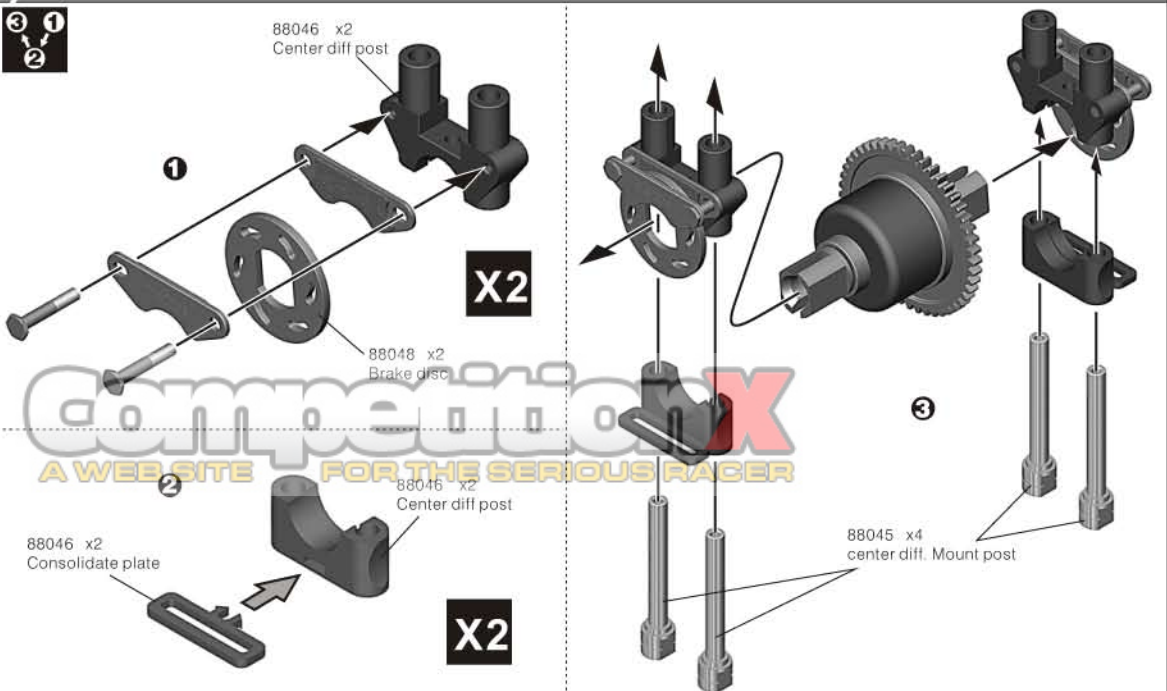
Assembly of Rear Bumper

-  33315 x1
3x15mm
screws
-  31418 x2
4x18mm
F/H screws
-  31308 x2
3x8mm
F/H screws
-  86025 x2
Alum collar
-  38303 x2
3x3mm
set screws



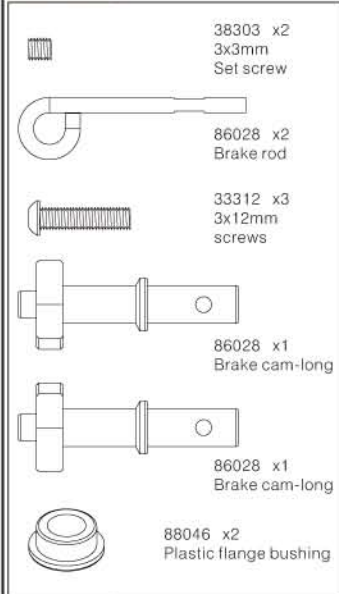
25 Assembly of The Center Gear Box

-  87052 x4
3x16.5mm
Hex head screw
-  88087 x4
Brake caliper

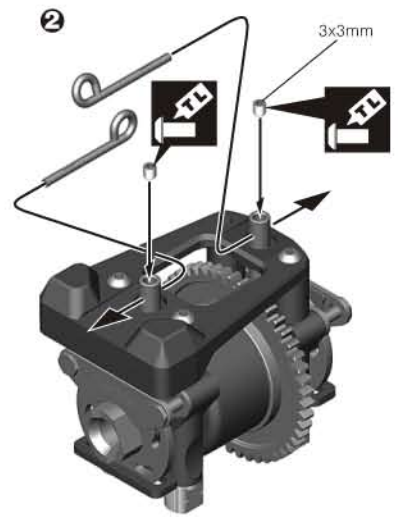
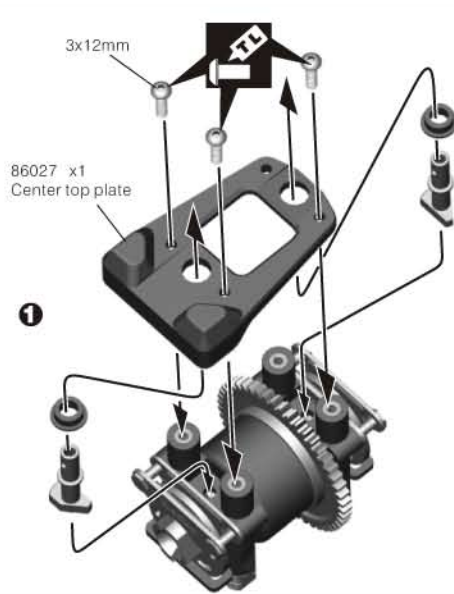


Competition
A WEB SITE FOR THE SERIOUS RACER

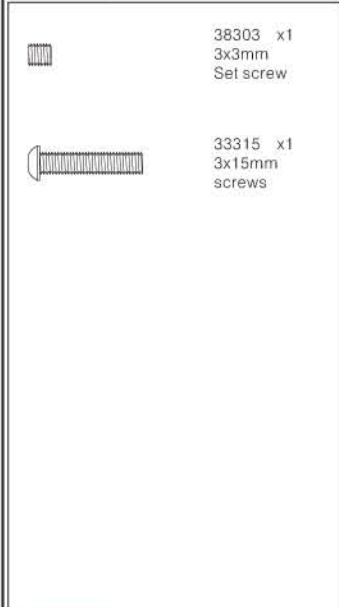
26 Assembly of Center Diff. Plate



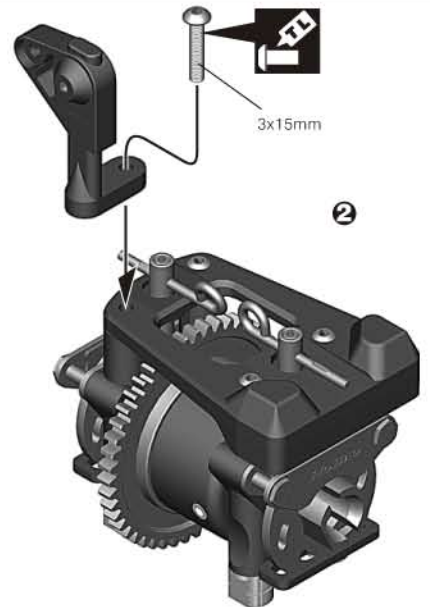
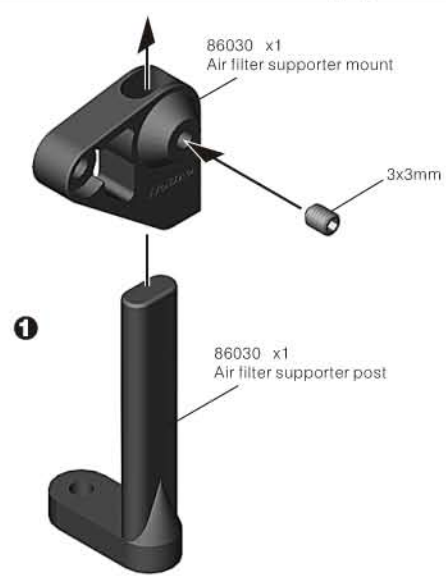
3
2
1



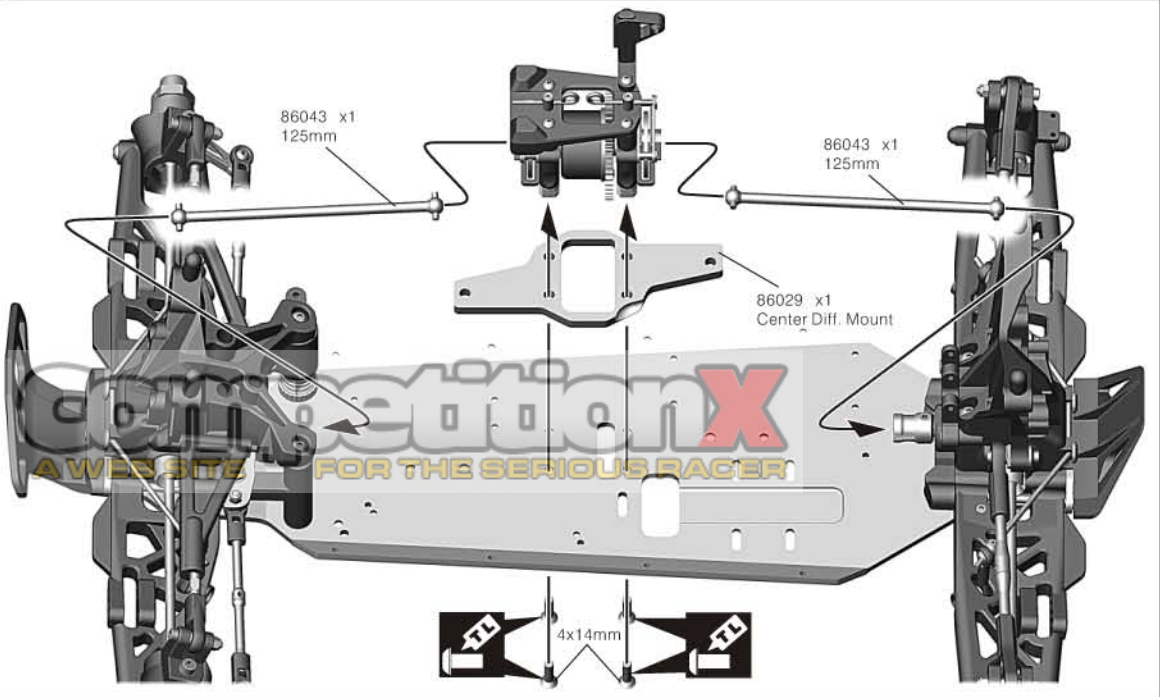
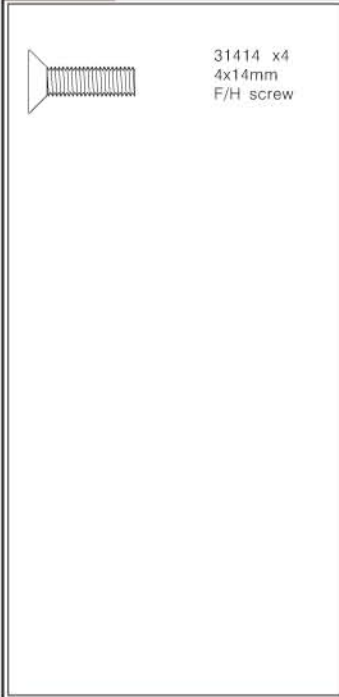
27 Assembly of Air Filter Supporter



3
2
1



28 Assembly of the Center Gear Box onto Chassis



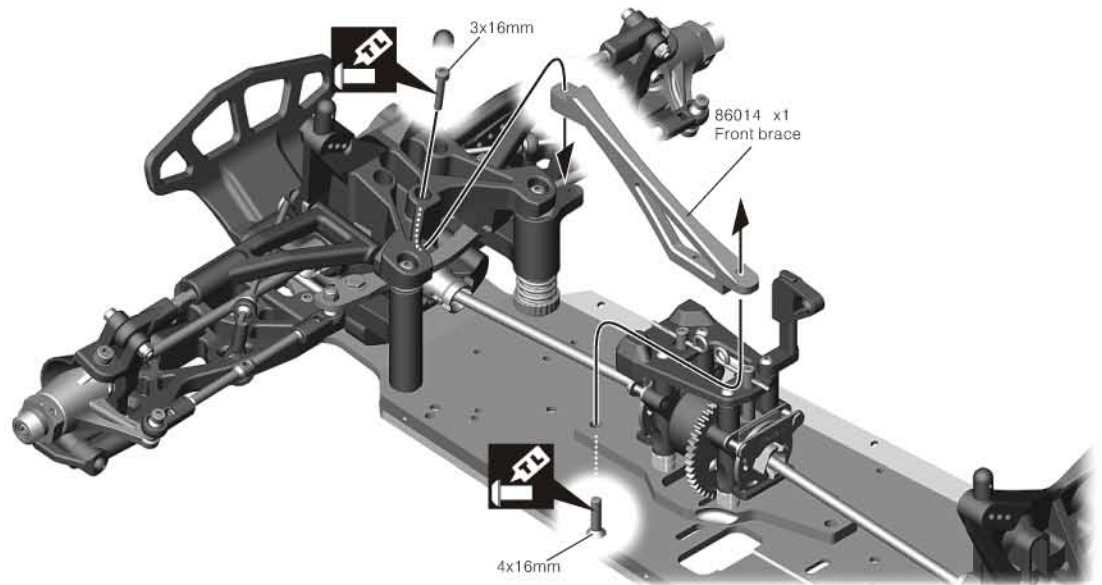
29 Assembly of Front Brace



32316 x1
3x16mm
Cap screw



31416 x1
4x16mm
F/H screw



30 Assembly of Wing Stay



87046 x3
wing support



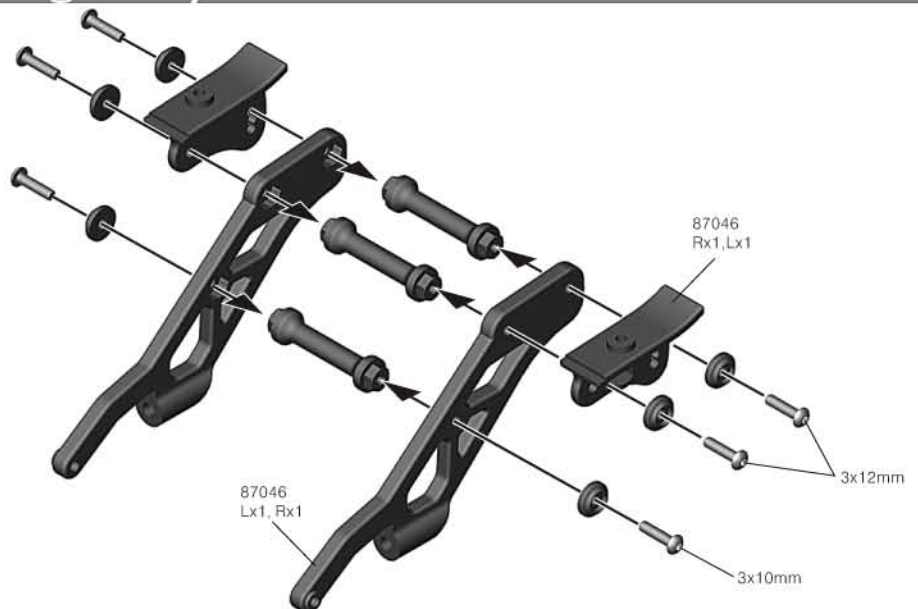
87046 x6
Plastic Washer



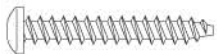
33310T x2
3x10mm
Tapping screw



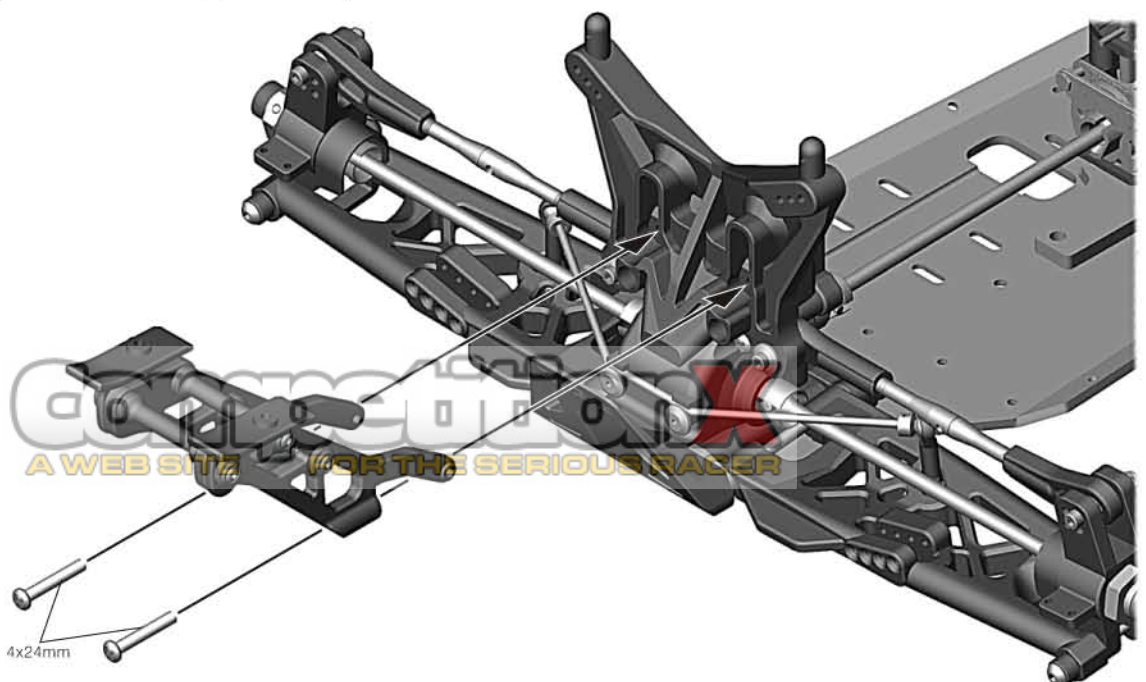
33312T x4
3x12mm
Tapping screw



31 Assembly of Wing Stay

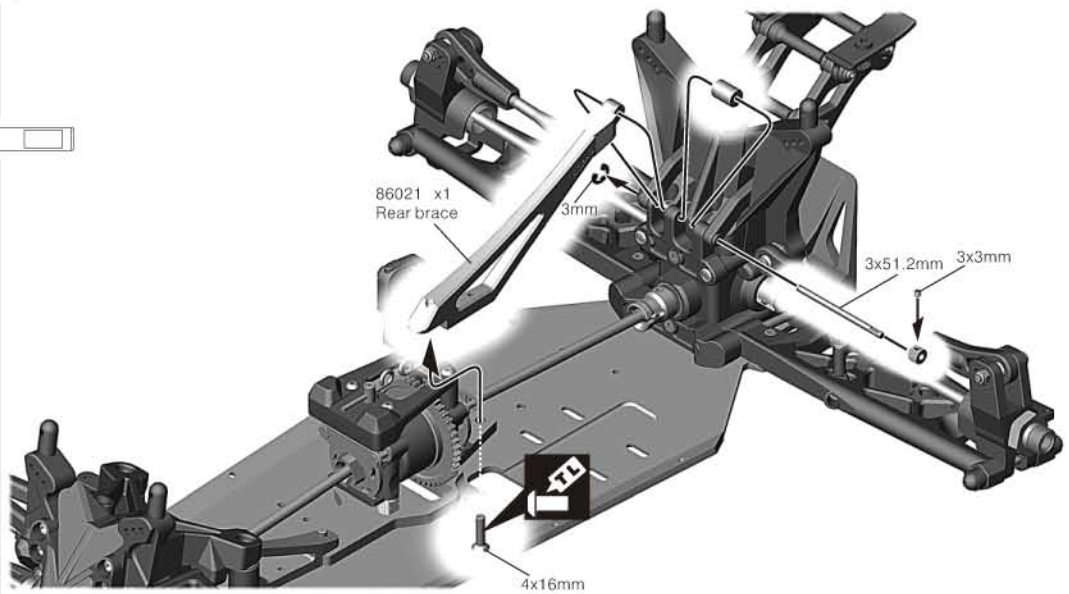


33424T x2
4x24mm
Tapping screw



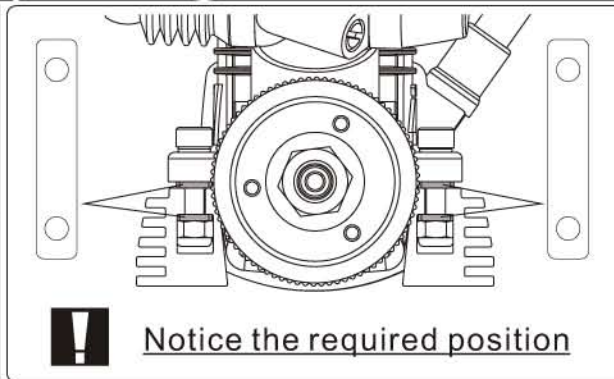
32 Assembly of Rear Brace

-  31416 x1
4x16mm
F/H screw
-  86057 x1
51.2mm
Shaft
-  86057 x1
Alu spacer
-  38303 x1
3x3mm
Set screw
-  86057 x1
Stopper
-  86057 x1
E-Clips



33 Assembly of Engine mount

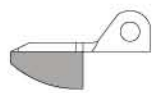

-  32315 x4
3x15mm
Cap screws
-  86041 x4
Engine mounst gasket
-  88061 x1
Collar
-  39008 x4
3mm
Nylon nut
-  86041 x4
3.2x5x0.8mm
Washer

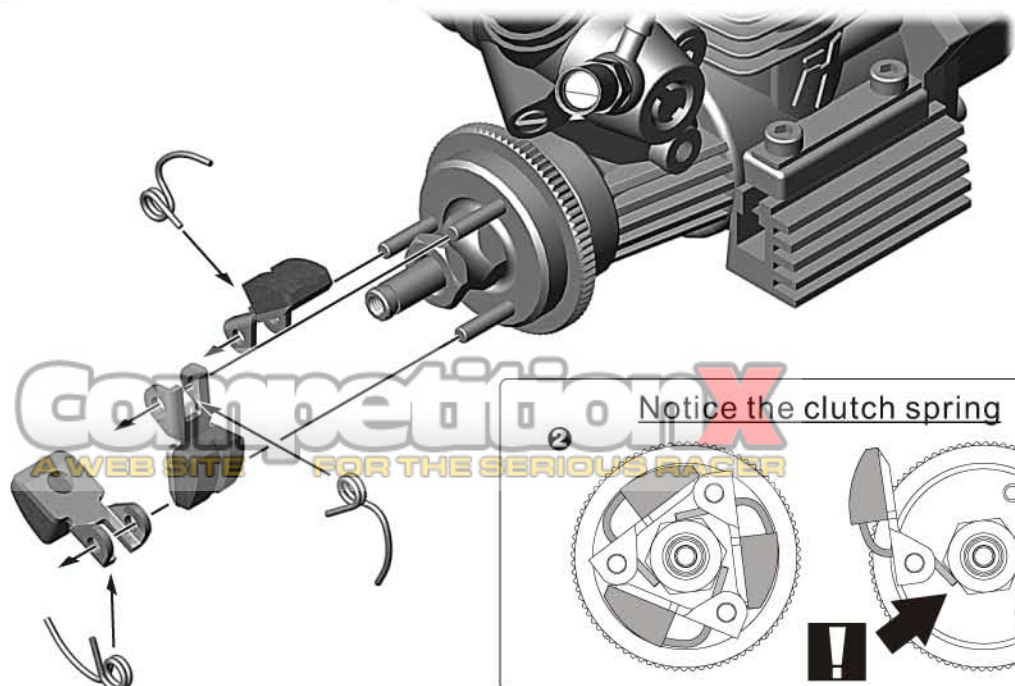


LR



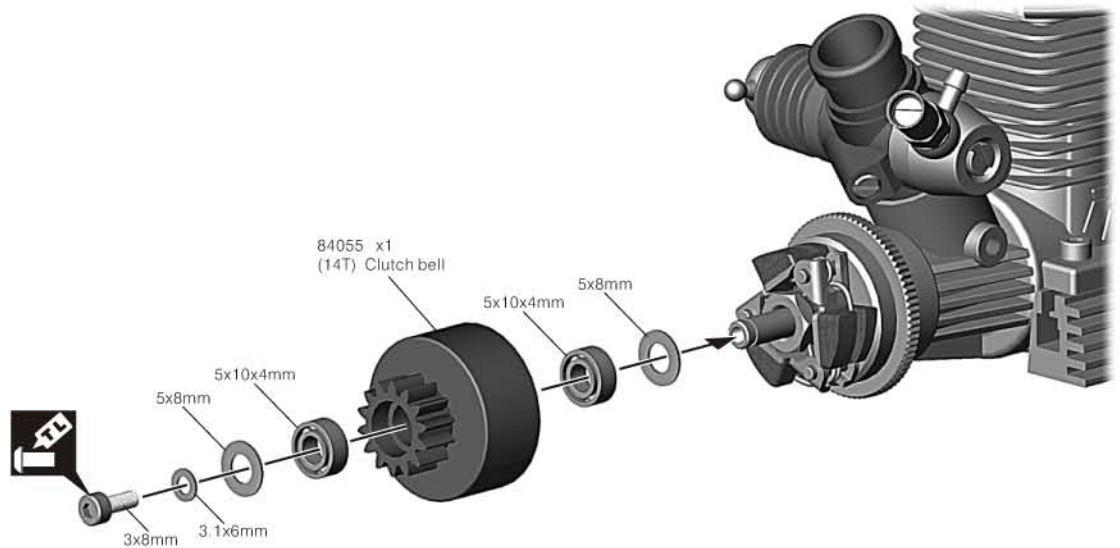
34 Assembly of Clutch-Step-1

-  86058 x3
New Clutch shoe
-  86059 x3
Clutch spring



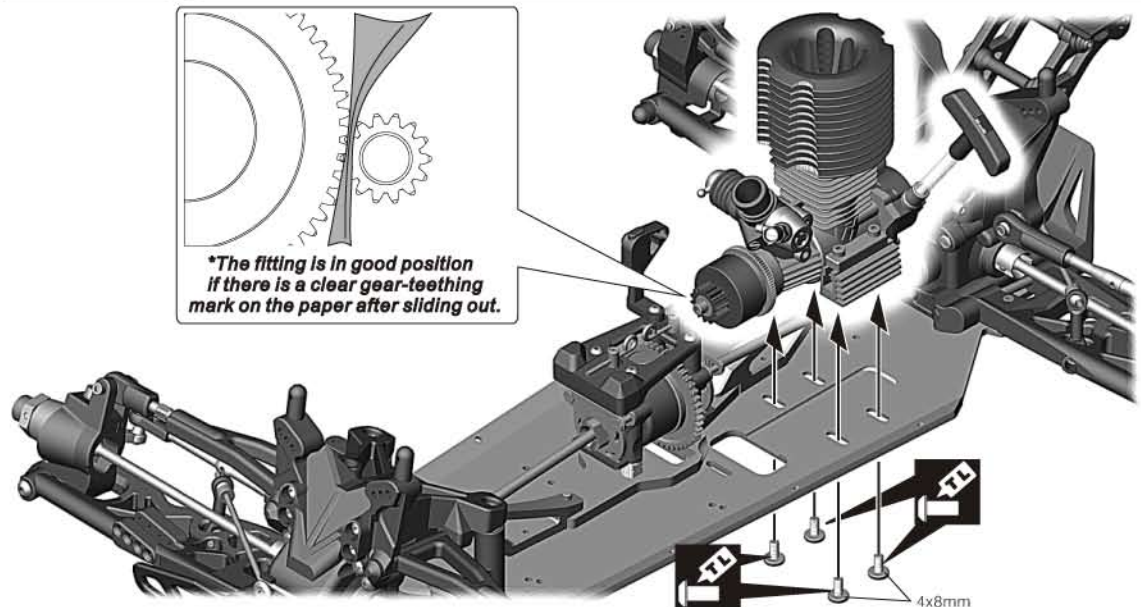
35 Assembly of Clutch-Step-2

-  32308 x1
3x8mm
Cap screws
-  84187W x1
3.1x6mm
Washer
-  84187W x2
5x8mm
Washer
-  84055 x2
5x10x4mm
Bearing



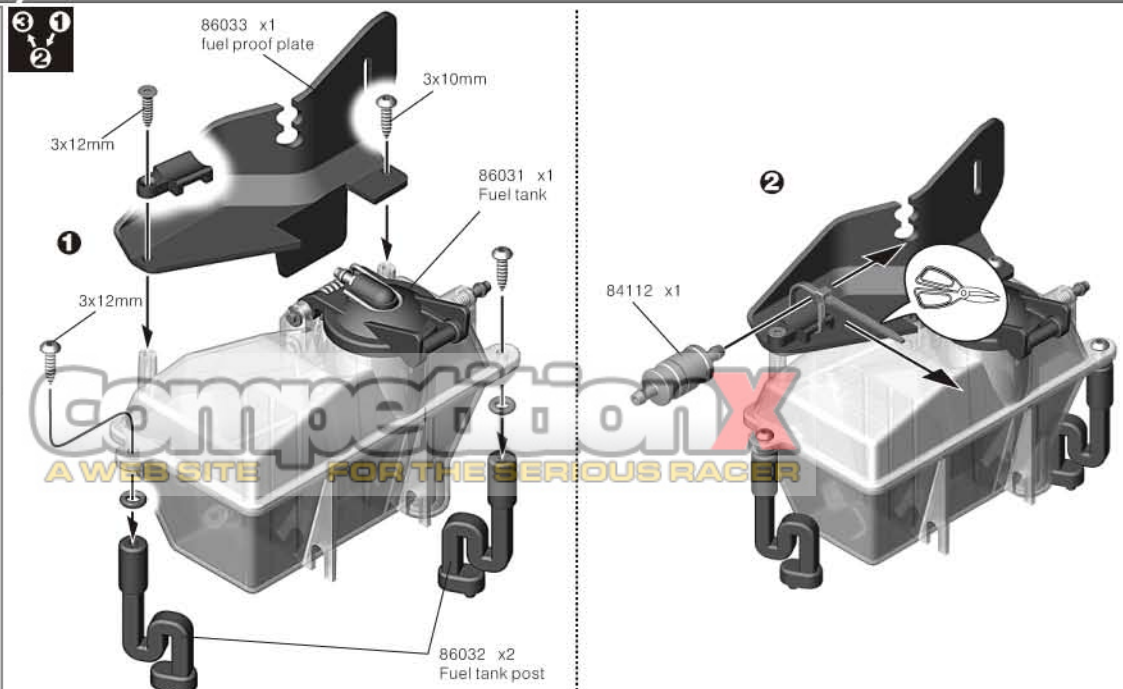
36 Assembly of Engine onto Chassis

-  88060 x4
4x8mm
Engine screw

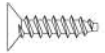


37 Assembly of Fuel Tank

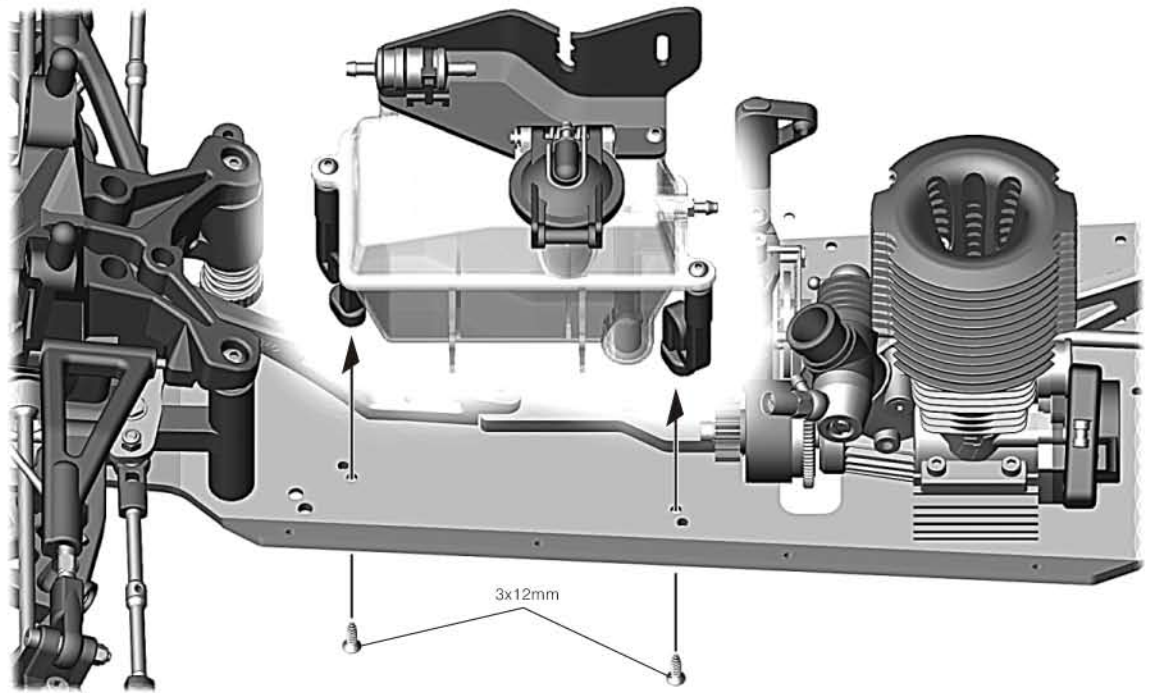
-  31312T x1
3x12mm
Tapping screw
-  33310T x1
3x10mm
Tapping screw
-  33312T x2
3x12mm
Tapping screw
-  86033 x1
Fuel filter holder
-  86032 x2
2.8x1.9mm
O-ring



38 Assembly of Fuel Tank onto Chassis



31312T x2
3x12mm
Tapping screw



39 Assembly of Manifold and Muffler



38404 x1
4x4mm
Set screw



38405 x1
4x5mm
Set screw

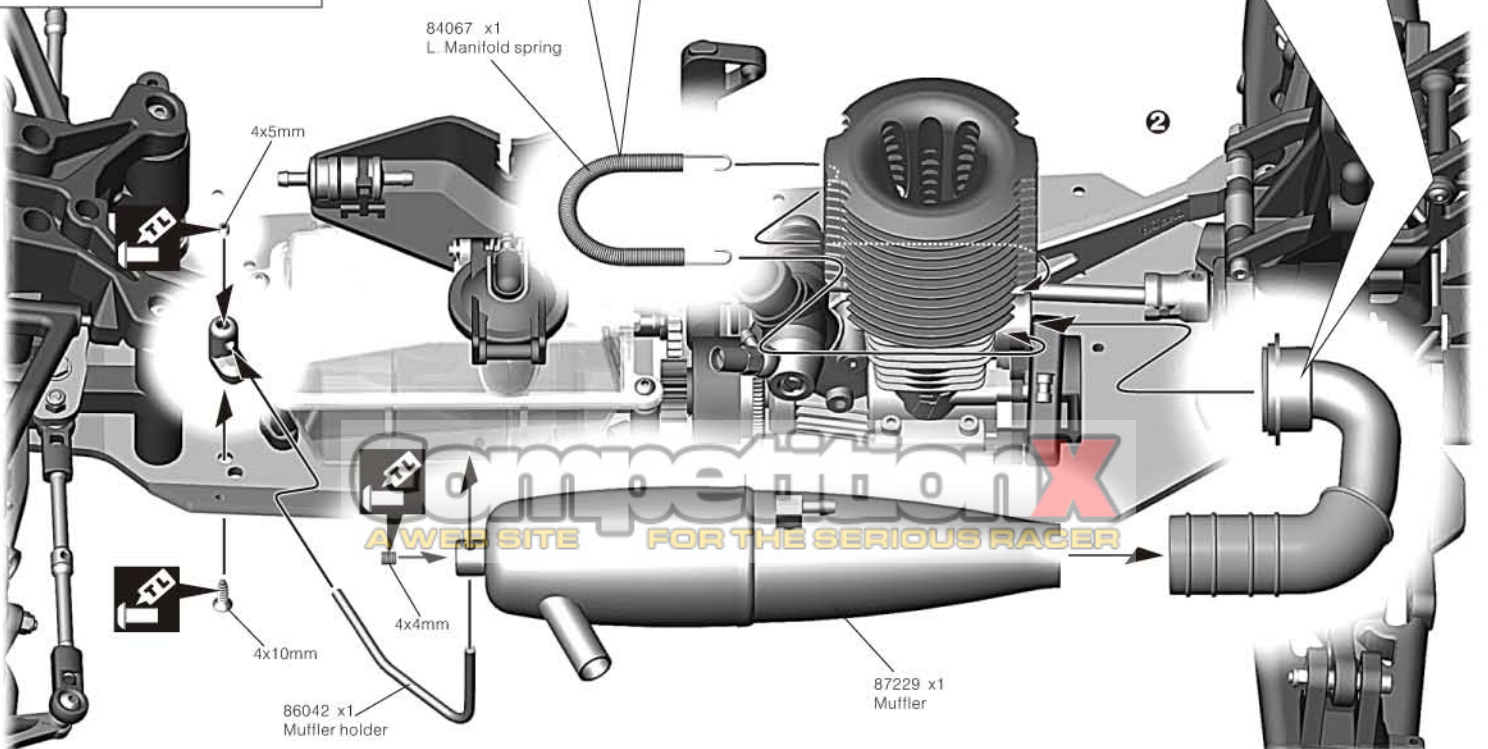
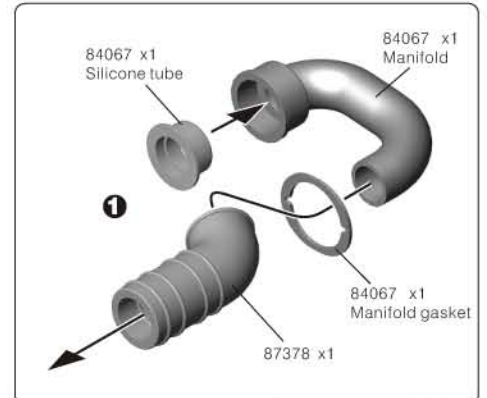
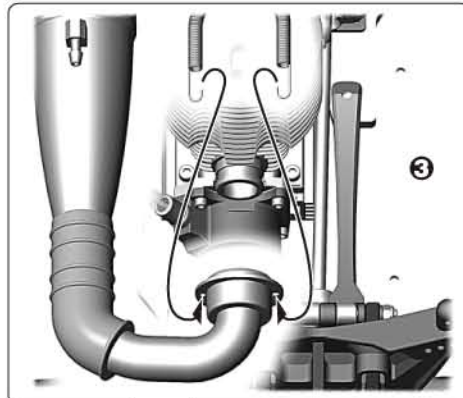


31408 x1
4x10mm
F/H screw



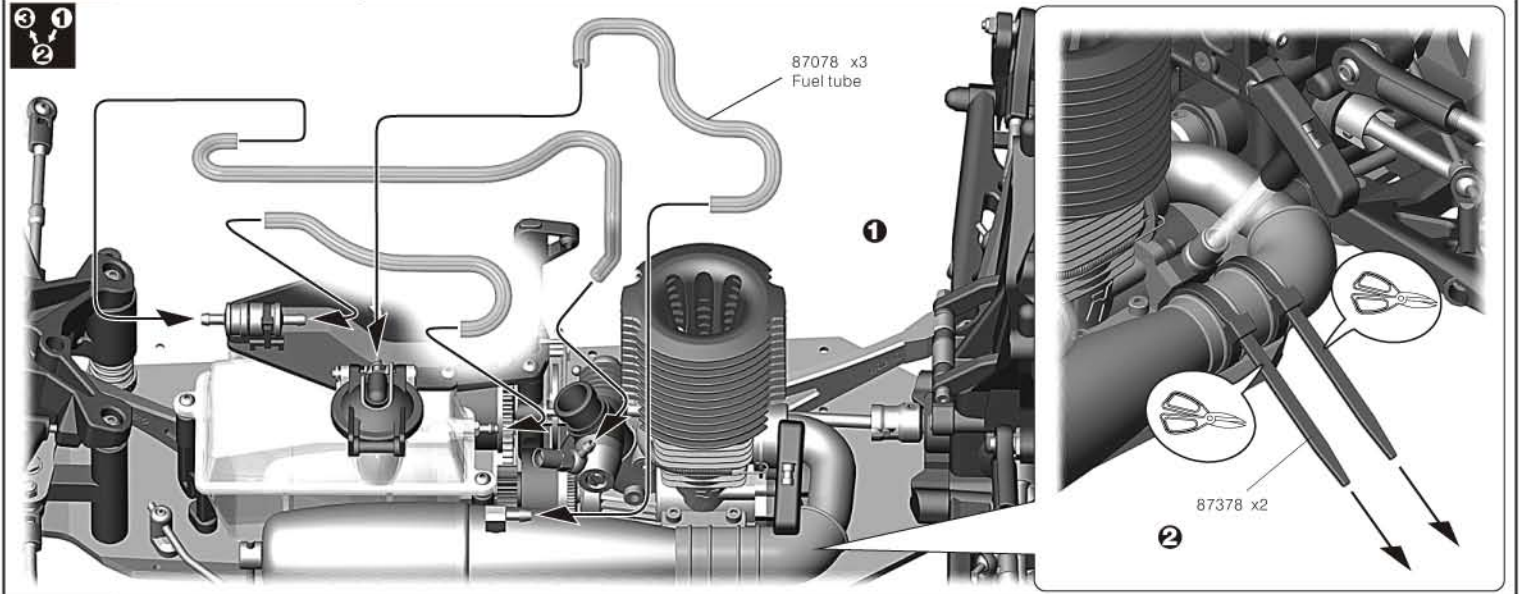
86042 x1
Muffer stay

3 1
2

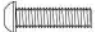




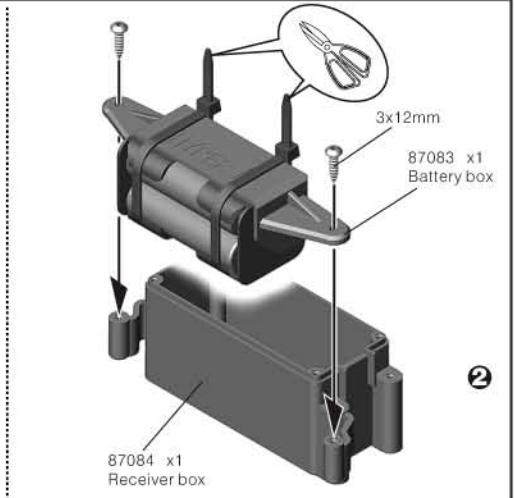
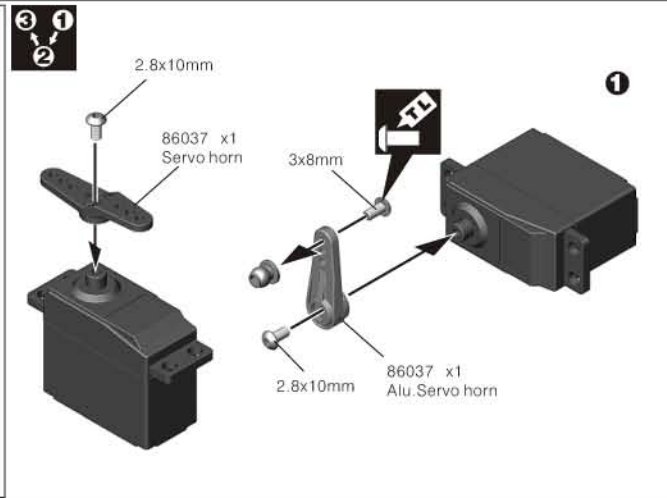
COMPETITION X
A WEB SITE FOR THE SERIOUS RACER

40 Assembly of Fuel Tube


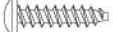







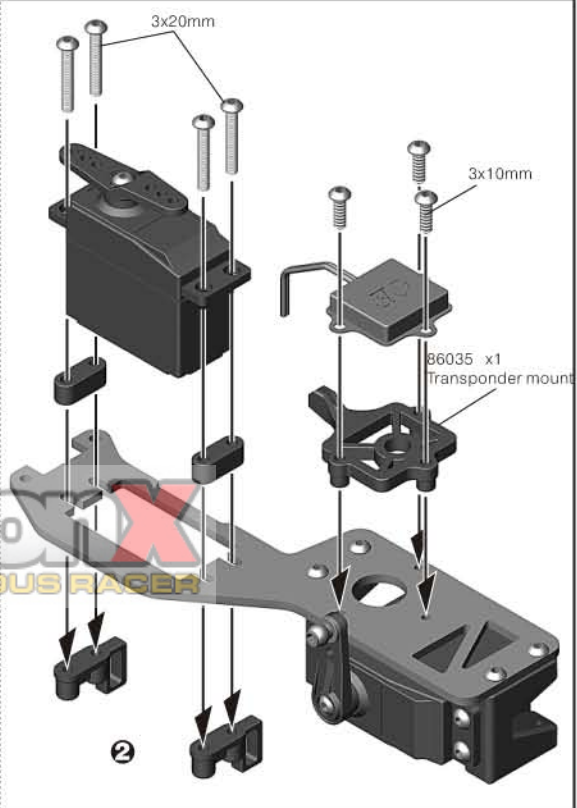
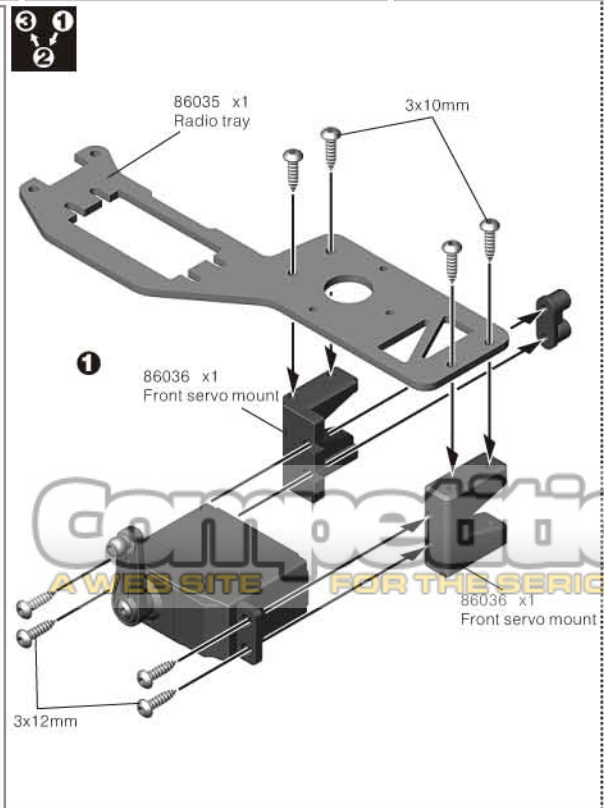
41 Equipment

-  2.8x10mm screw
-  33312T x2 3x12mm screw
-  33308 x1 3x8mm screw
-  86010 x1 Ball end



42 Assembly of Radio Tray

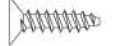
-  33310T x4 3x10mm Tapping screw
-  33312T x4 3x12mm Tapping screw
-  33310 x3 3x10mm screw
-  33320 x4 3x20mm screw
-  86036 x2 gasket
-  86036 x1 Servo gasket
-  86036 x2 Servo gasket



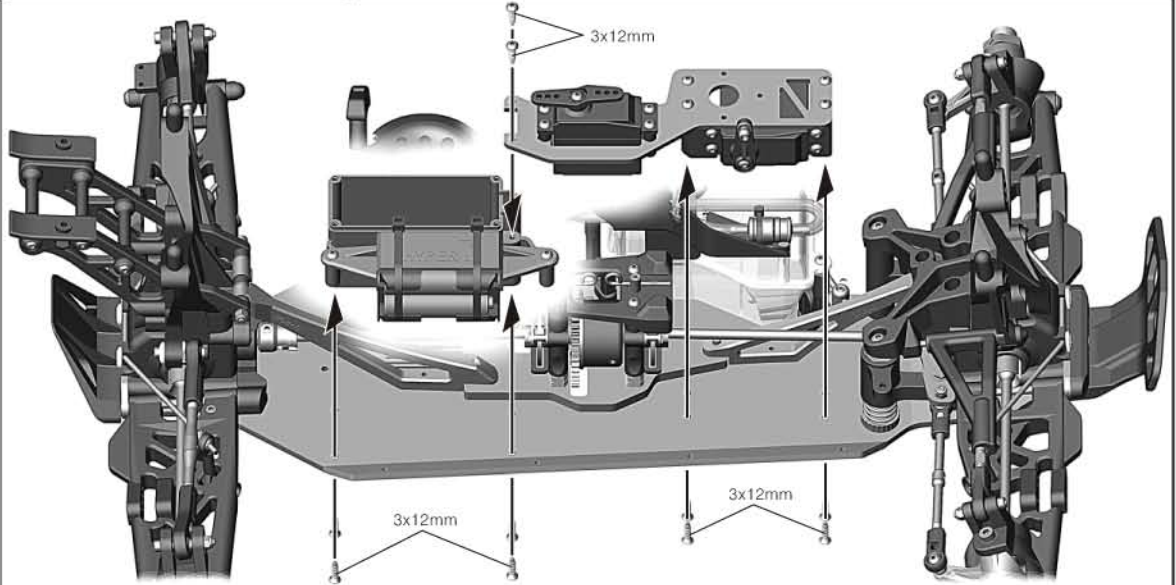
43 Assembly of Radio Tray and Receiver box onto Chassis



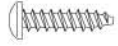
33312T x2
3x12mm
Tapping screw



31312T x8
3x12mm
Tapping screw



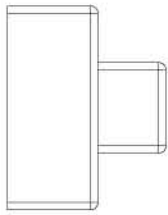
44 Assembly of Receiver box



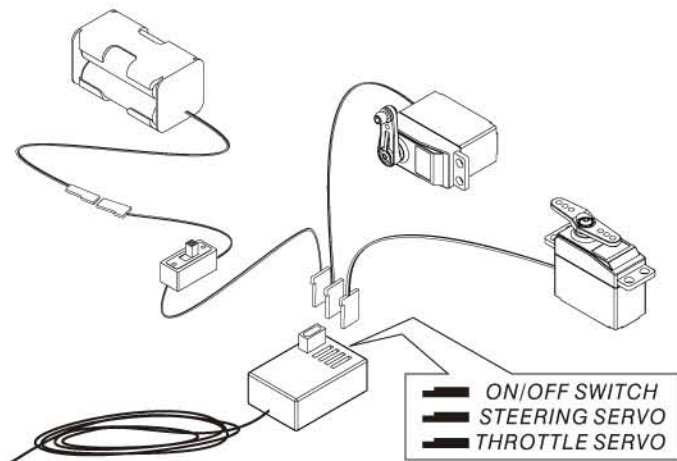
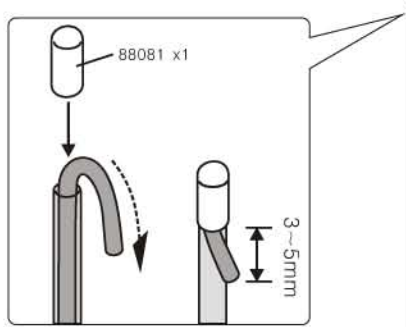
33312T x4
3x12mm
Tapping screw



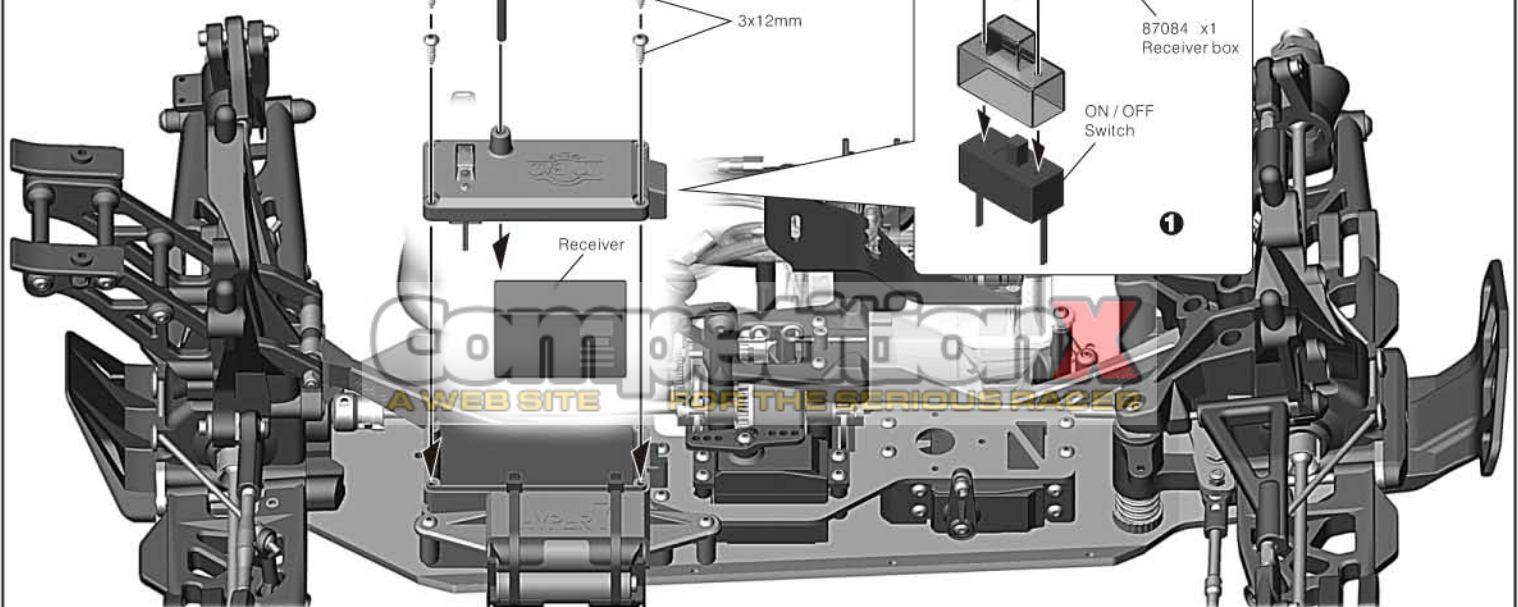
33208 x2
2x8mm
Tapping screw



84133 x1
Switch cap

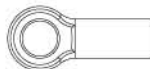





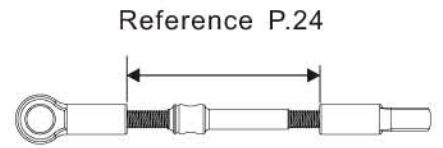
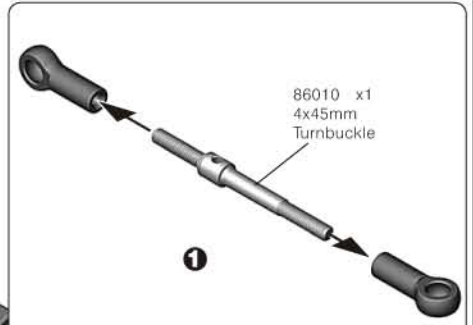
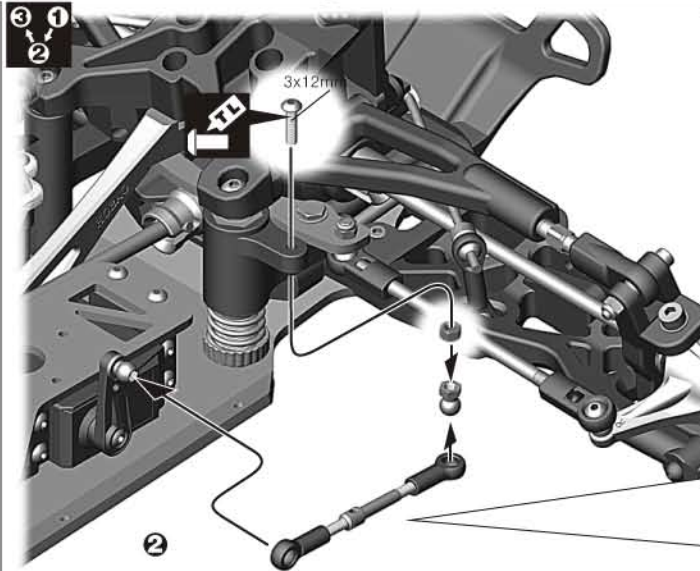
ON/OFF SWITCH
 STEERING SERVO
 THROTTLE SERVO







A WEB SITE FOR THE SERIOUS RACER

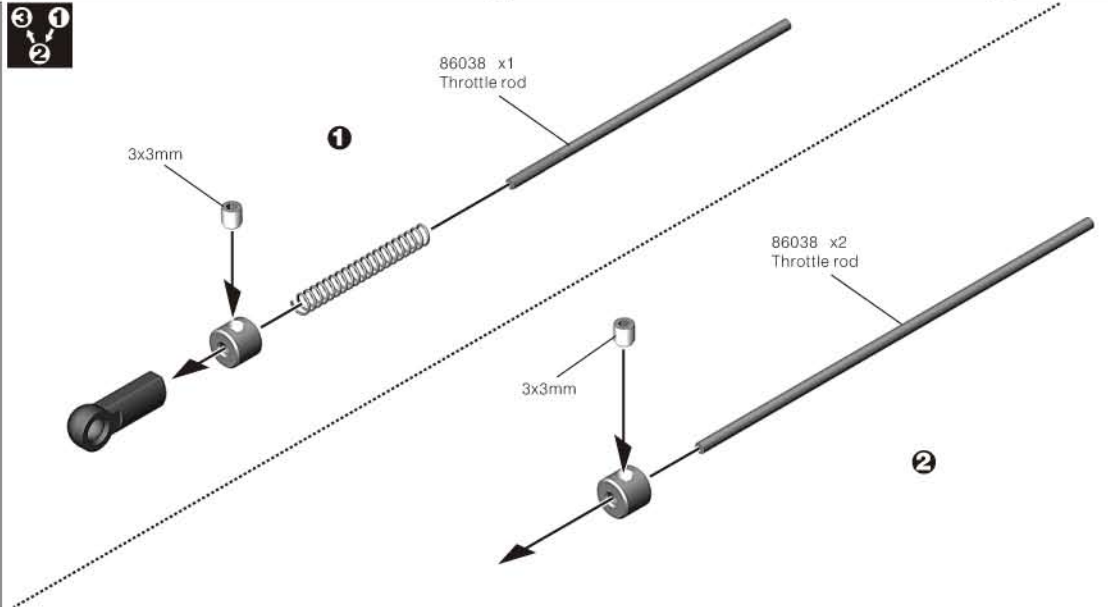
45 Assembly of Steering servo Rod

-  86010 x2
Ball end
-  33312 x1
3x12mm
F/H screw
-  86010 x1
Ball end
-  86017 x1



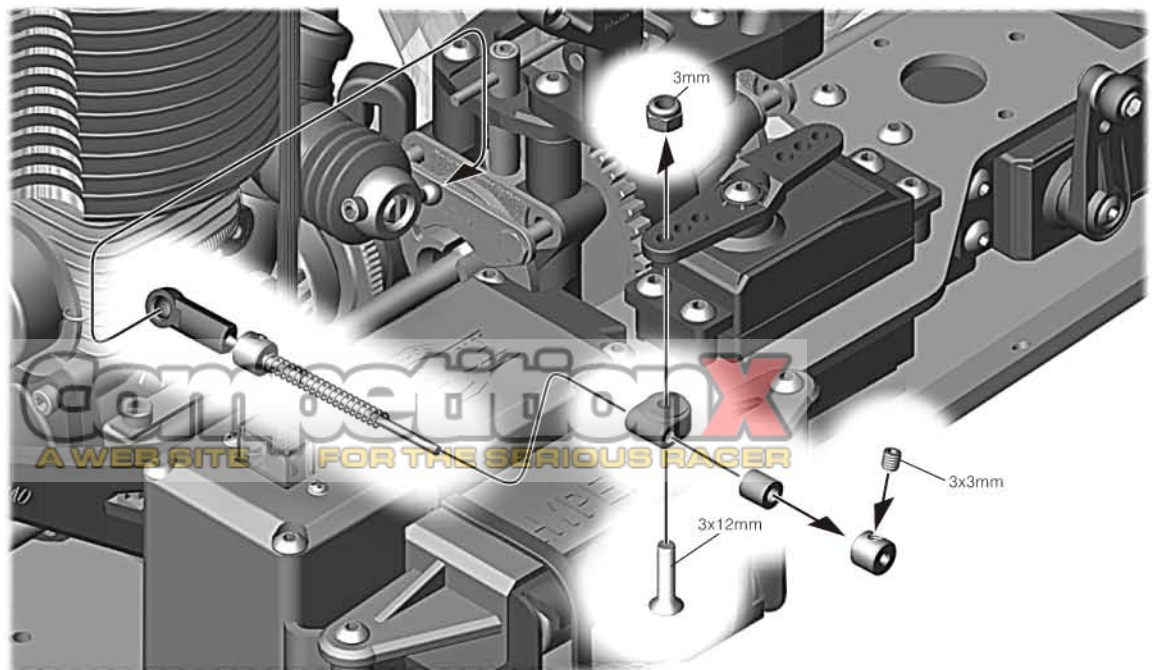
46 Assembly of Throttle Linkage and Brake Linkages

-  86038 x1
Throttle ball end
-  86038 x1
Throttle spring
-  86038 x3
Stopper
-  38303 x3
3x3mm
Set screw







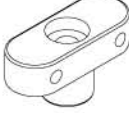


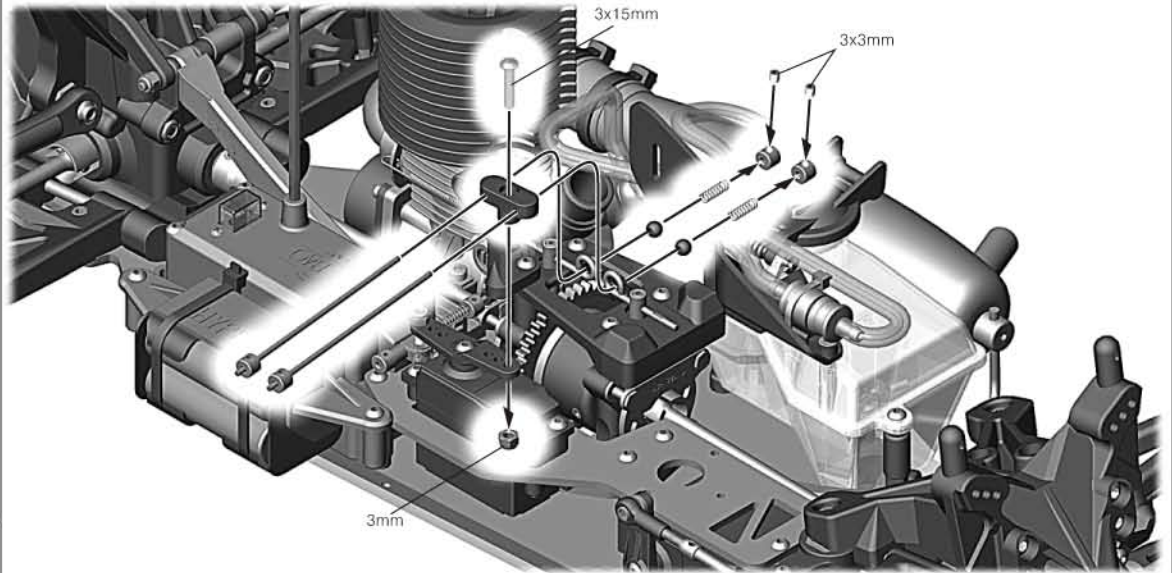
47 Assembly of Throttle Linkage into Lever

-  31312 x1
3x12mm
TP/FH screw
-  86038 x1
Collar
-  39008 x1
3mm
Nylon nut
-  38303 x1
3x3mm
Set screw
-  86038 x1
Stopper
-  87078 x1
Silicone tube



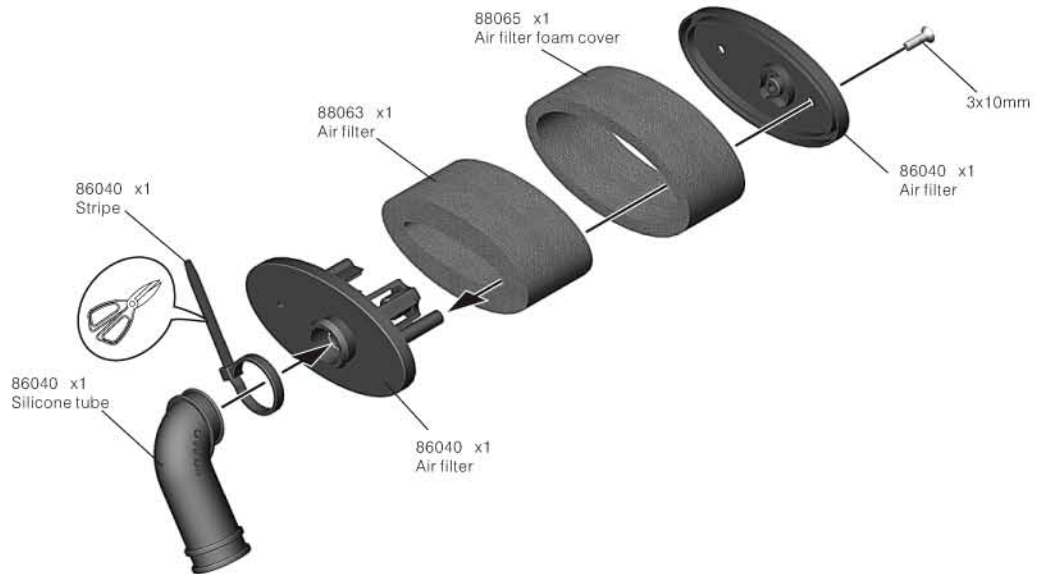
48 Assembly of Brake Linkage into Brake Lever

	38303 x2 3x3mm Set screw
	31315 x1 3x15mm screw
	86038 x2 Throttle spring
	86038 x2 Plastic ball
	86038 x2 Stopper
	39008 x1 3mm Nylon nut
	86037 x1 Brake linkage mount



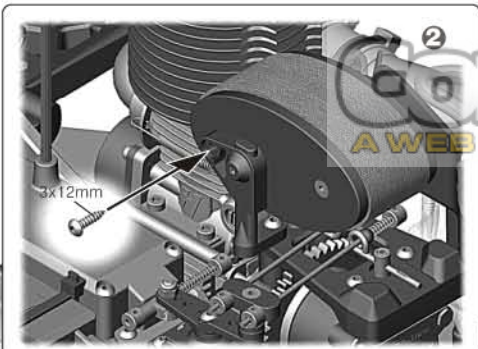
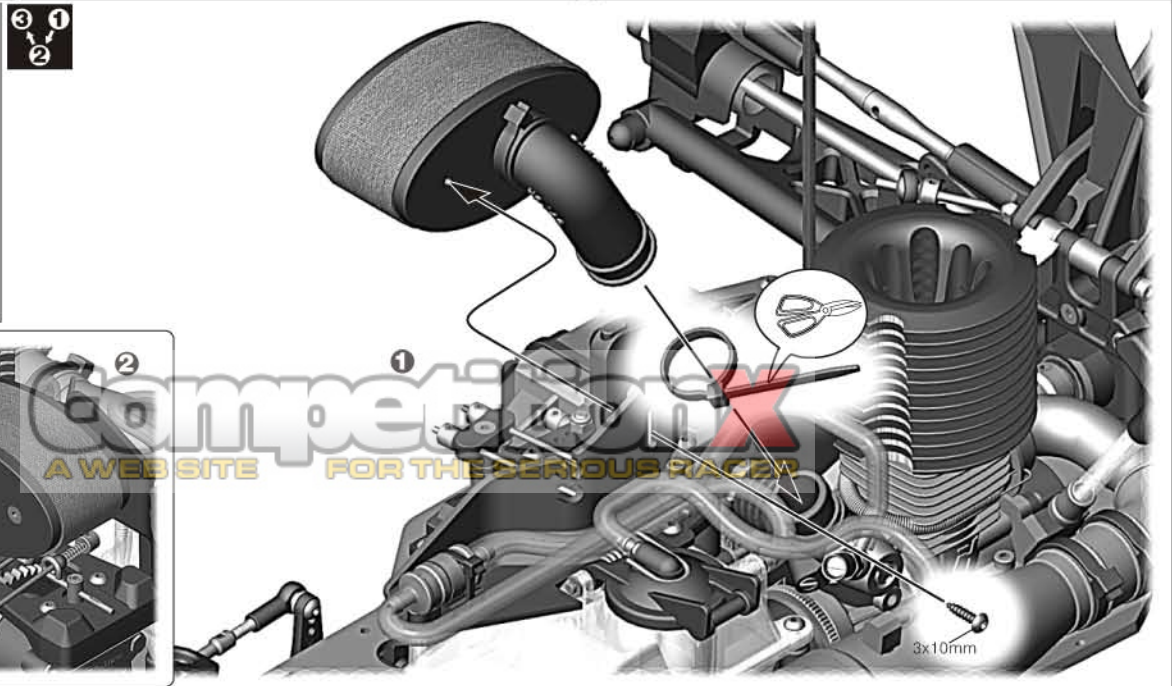
49 Assembly of Air Filter

	31310T x1 3x10mm Tapping screw
--	--------------------------------------



50 Assembly of Air Filter onto Engine

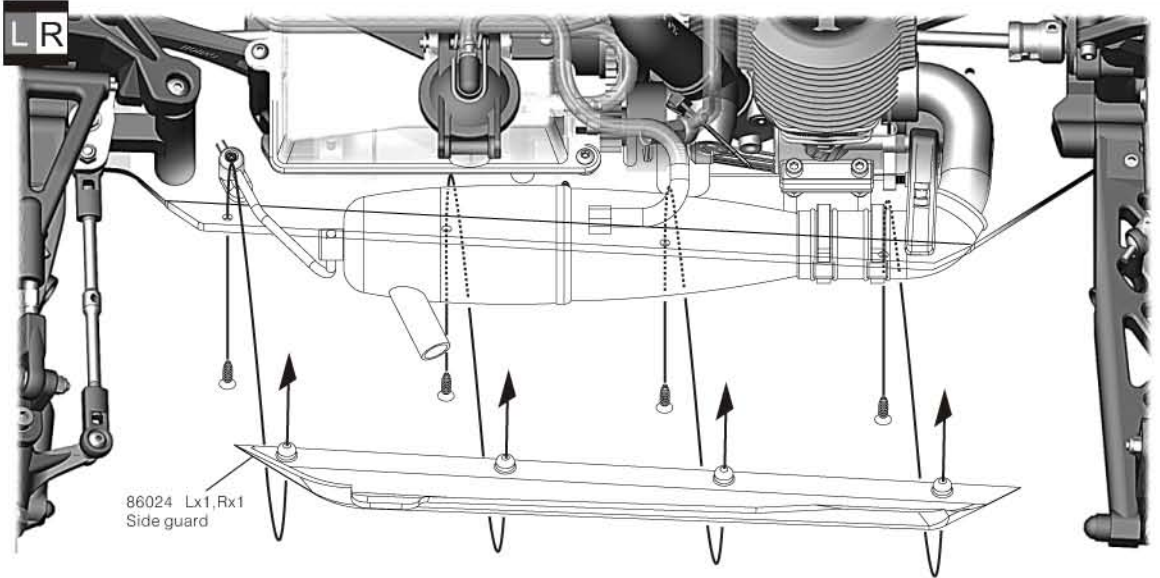
	33310T x1 3x10mm Tapping screw
	33312T x1 3x12mm Tapping screw



51 Assembly of Side Guard



31310T x8
3x10mm
Tapping screw



86024 Lx1,Rx1
Side guard

52 Assembly of Front Shocks-Step-1



87125 x2
2.6mm
Nylon nut



87125 x2
2.6x6.5x0.6mm
washer



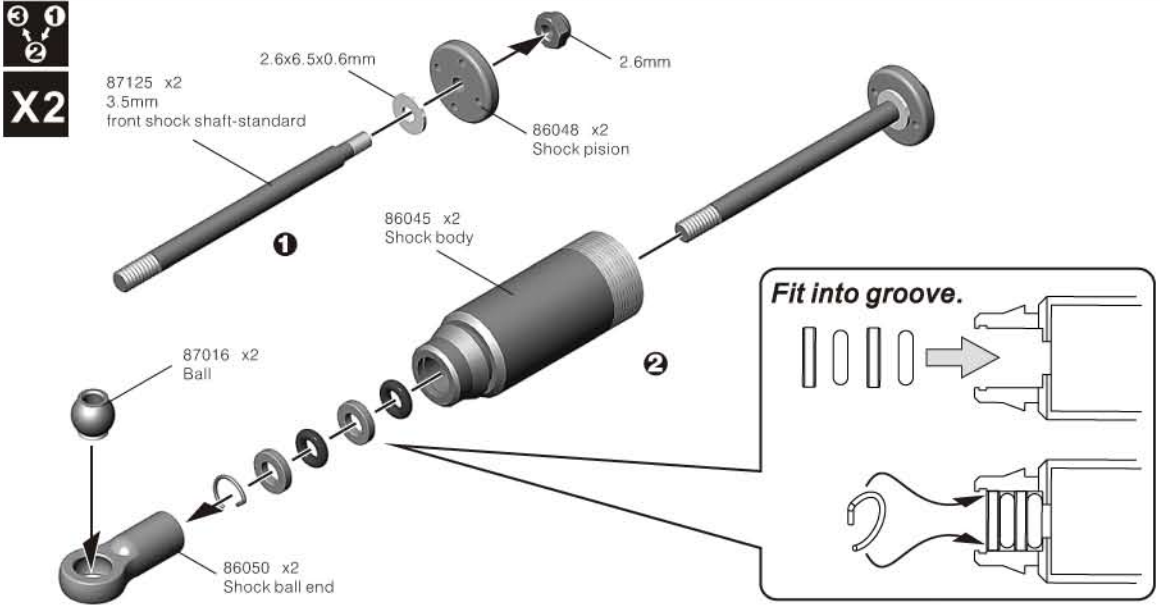
87398 x4
Shock collar



87398 x4
O-ring



87398 x2
C-clips



53 Assembly of Rear Shocks-Step-2



87126 x2
2.6mm
Nylon nut



87126 x2
2.6x6.5x0.6mm
washer



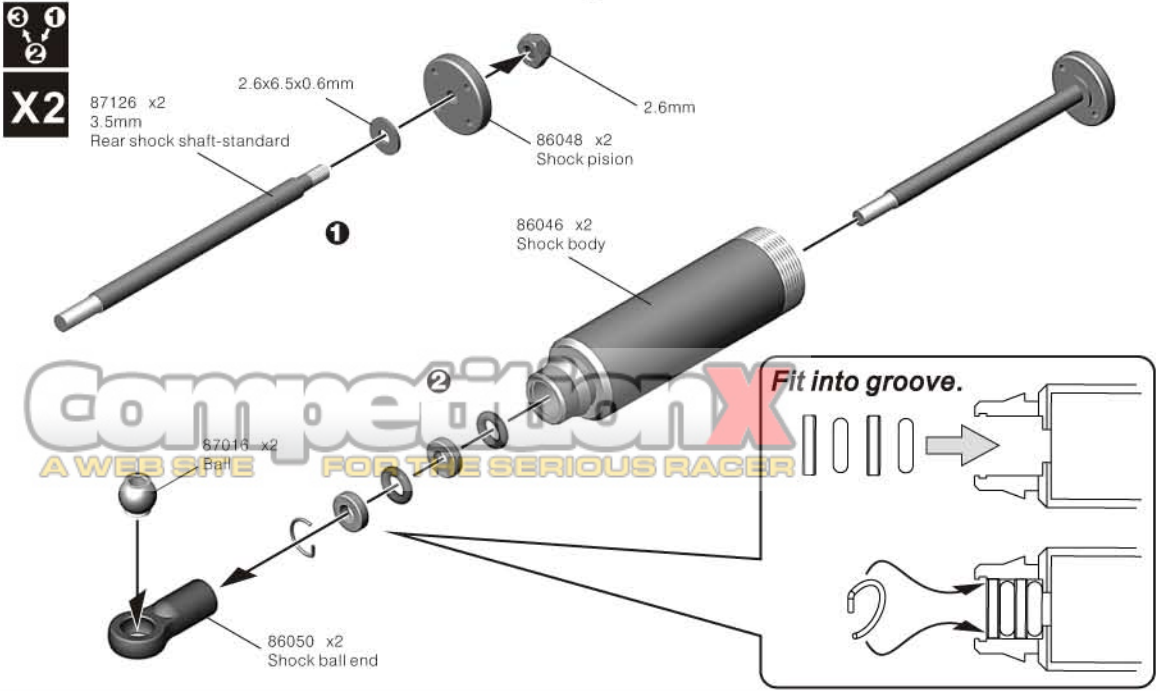
87398 x4
Shock collar



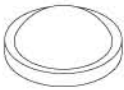
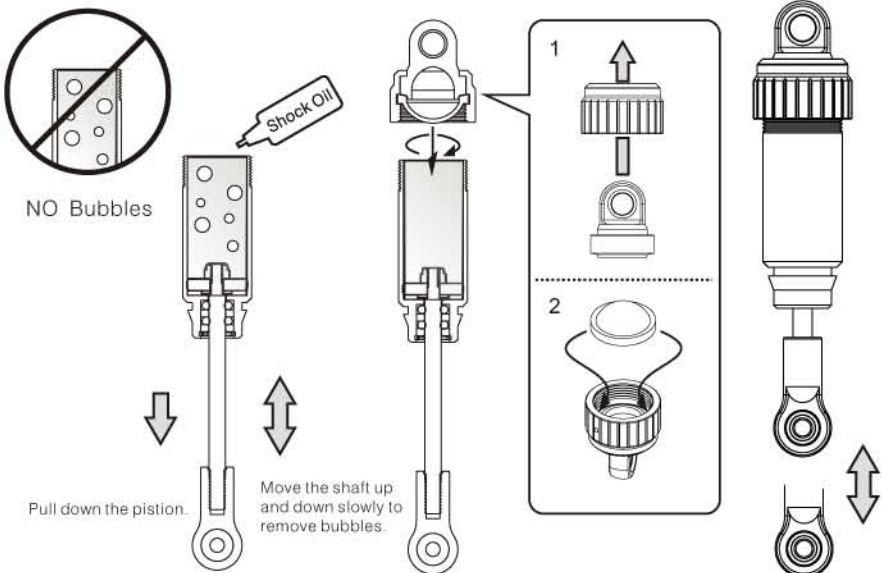


87398 x4
O-ring



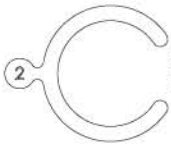
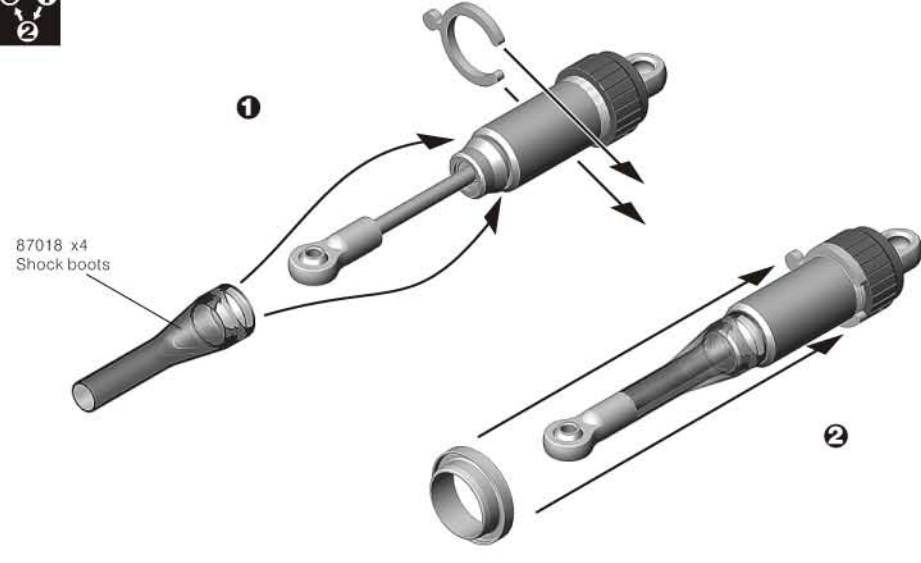

87398 x2
C-clips




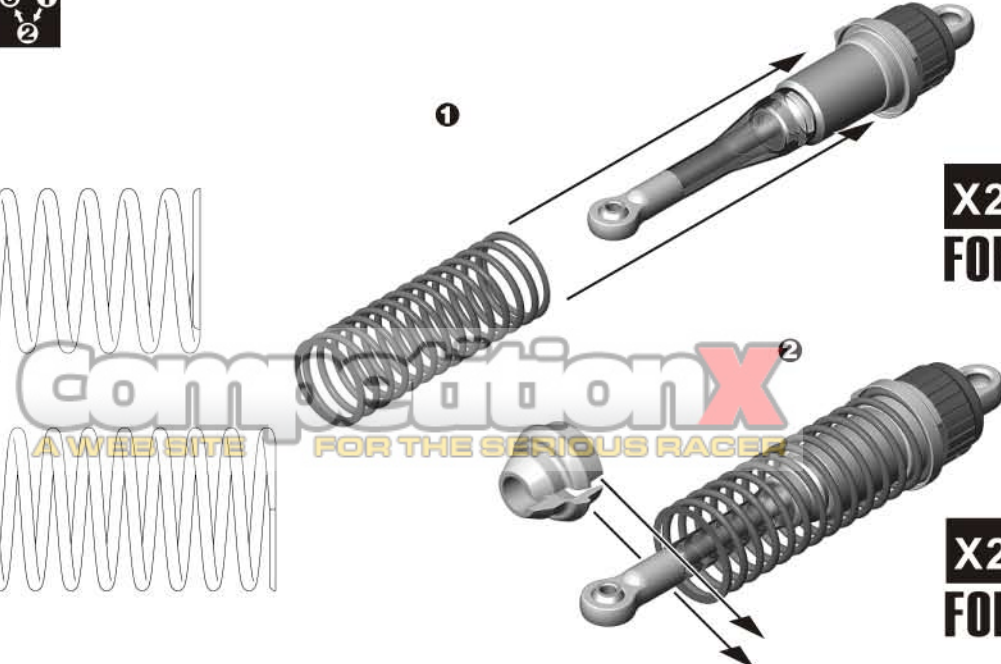
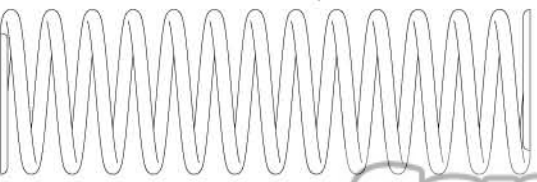

54 Assembly of Front and Rear Shocks-Step-3

	86049 x4 Oil seal		X2 SHORT FOR FRONT
	86050 x4 Shock ball head		X2 LONG FOR REAR
	86045 x2 86046 x2 Shock cap		

55 Assembly of Shock Shaft Dust Covers






	86050 x4 Plastic shock parts		X2 SHORT FOR FRONT
	86050 x4 Shock spring cap		X2 LONG FOR REAR

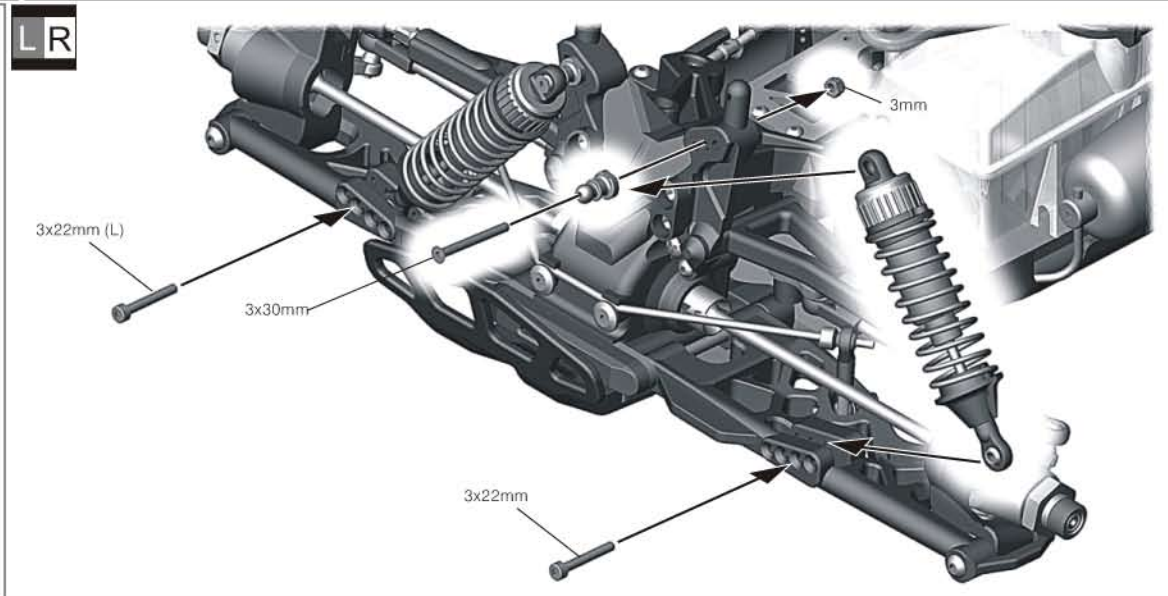
56 Assembly of Front and Rear Shock Springs

	86050 x4 Shock spring supporter		X2 SHORT FOR FRONT
	For Front 86047 x2 Shock spring		X2 LONG FOR REAR
	For Rear 86047 x2 Shock spring		



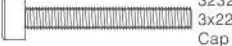


CompetitionX
A WEB SITE FOR THE SERIOUS RACER

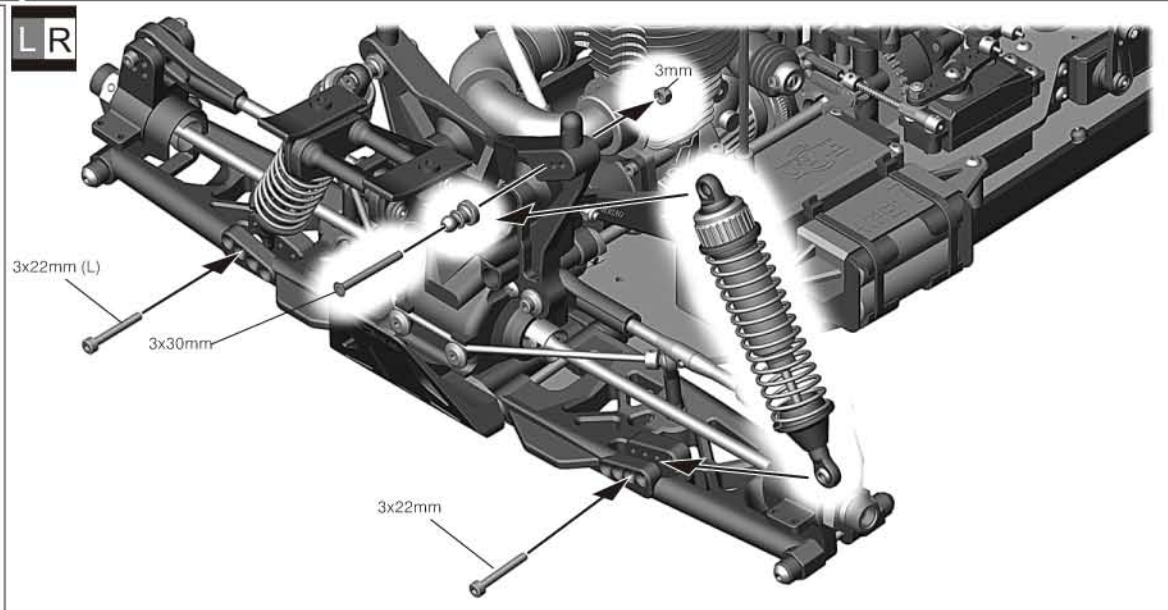
57 Assembly of the Front Shock Absorber

- LR**
-  31330 x2
3x30mm
Cap screws
 -  37353 x1
3x22mm (L)
Cap screws
 -  32322 x1
3x22mm
Cap screws
 -  87031 x2
Steel shock ball
 -  38009 x2
3mm
Nylon nut

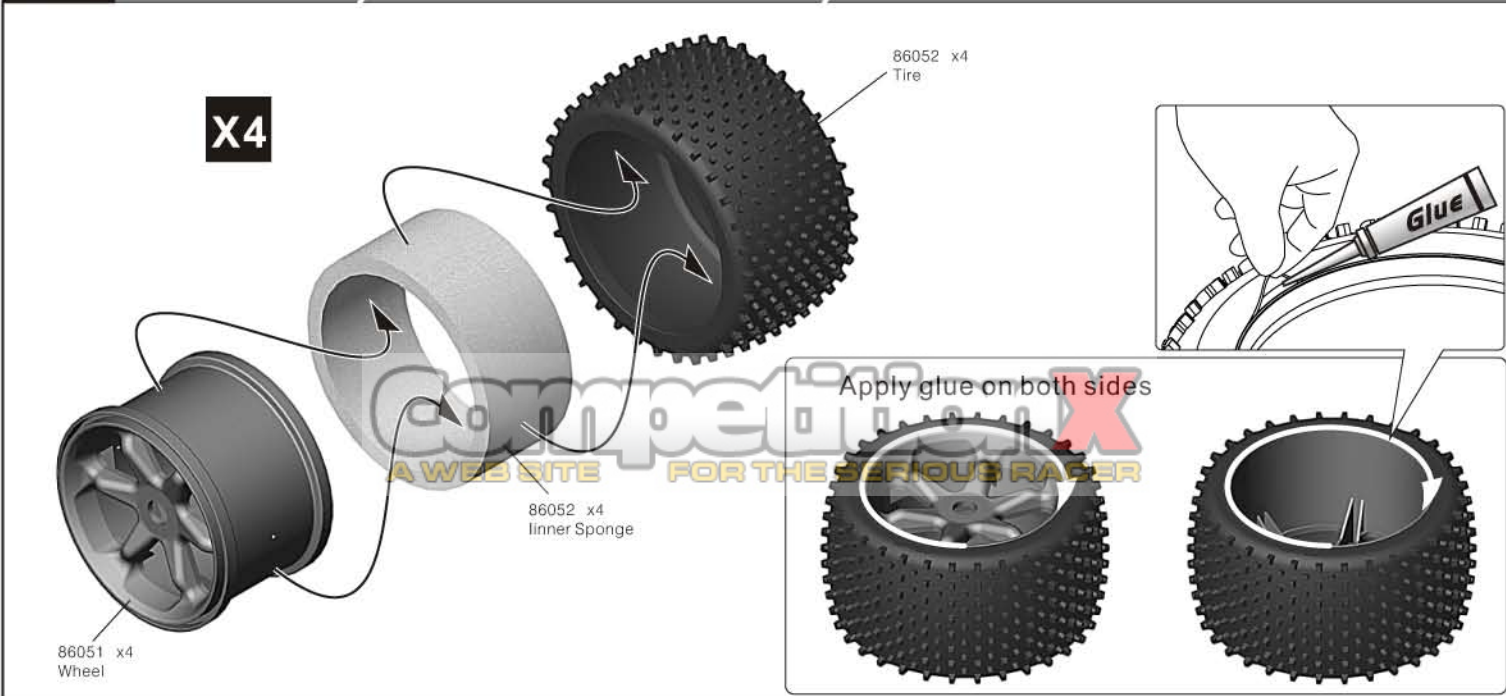


58 Assembly of the Rear Shock Absorber

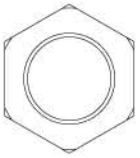
- LR**
-  31330 x2
3x30mm
Cap screws
 -  37353 x1
3x22mm (L)
Cap screws
 -  32322 x1
3x22mm
Cap screws
 -  87031 x2
Steel shock ball
 -  38009 x2
3mm
Nylon nut



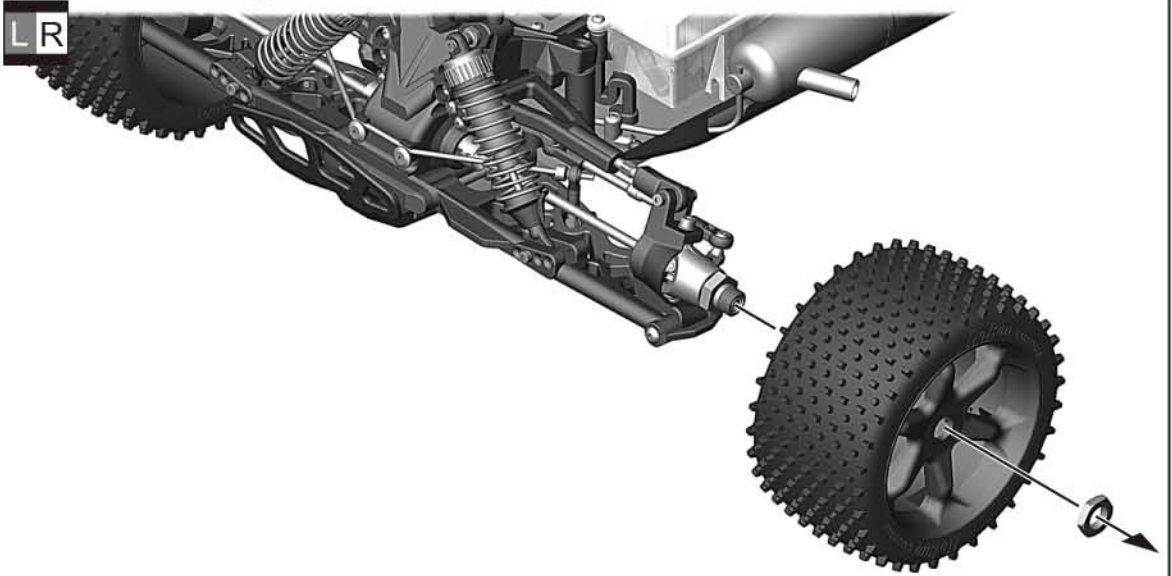
59 Assembly of Wheels and Tyres



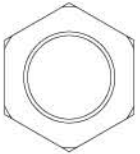
60 Assembly of the Tyres onto Front Knuckles



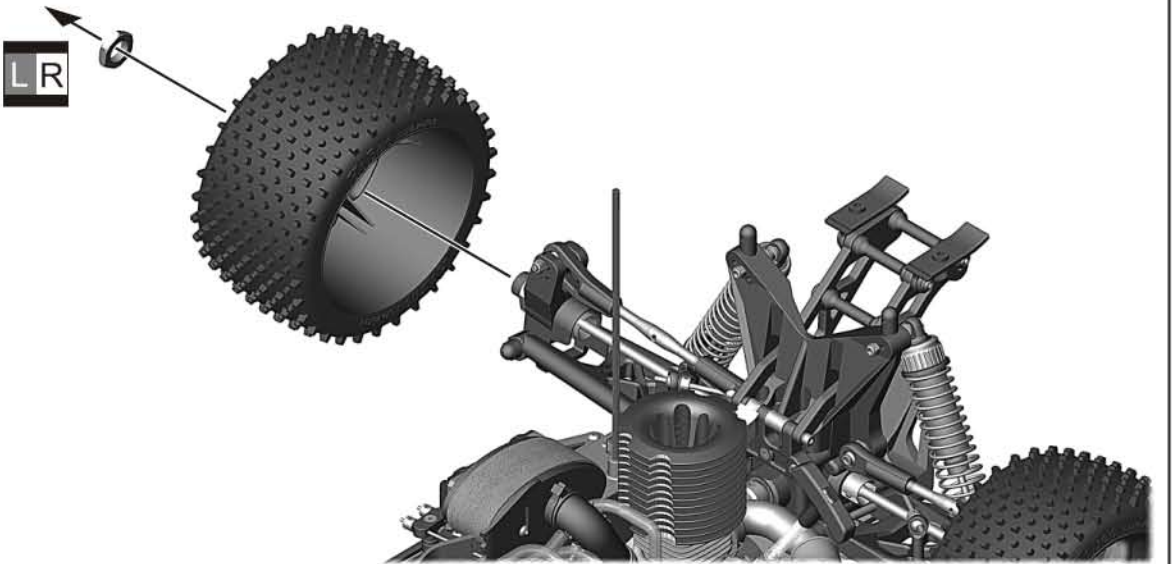
87027 x2
Hex wheel hub



61 Assembly of the Tyres onto Rear Hubs



87027 x2
Hex wheel hub



62 Assembly of the Wing



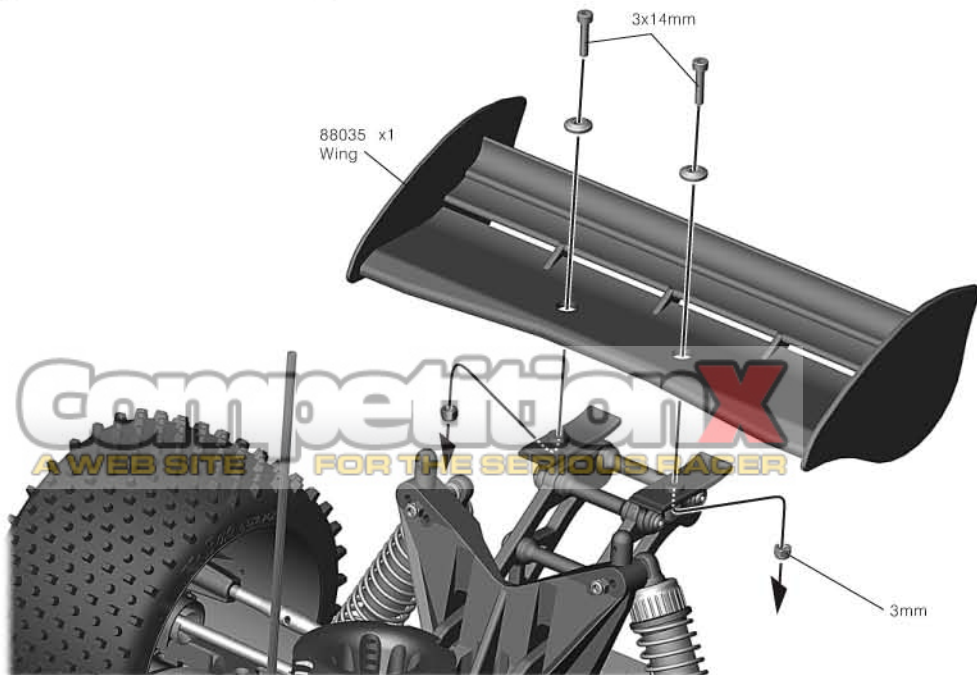
88035 x2
3x14mm
Cap screws



88035 x2
Wing Washer

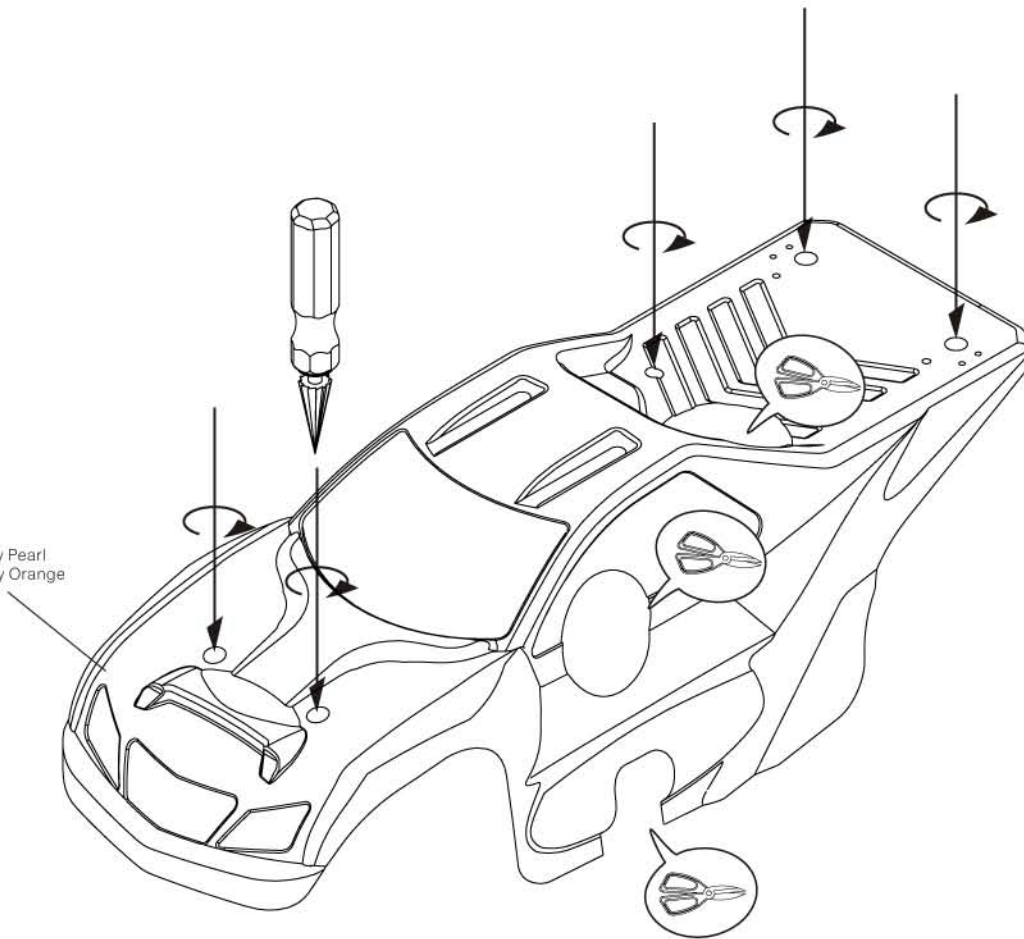


88035 x2
3mm
Nylon nut

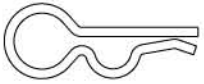


63 Required Drill Position

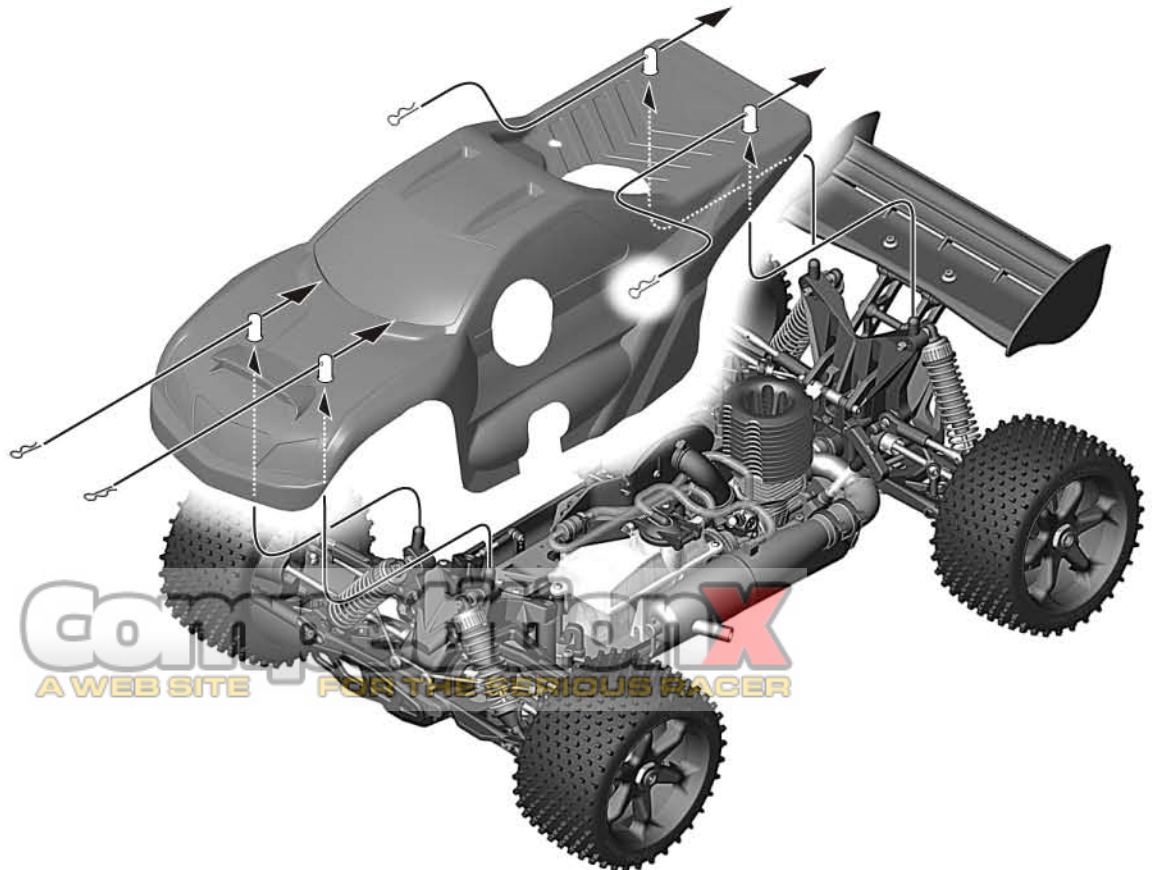
86056P: Printed Body Pearl
86056R: Printed Body Orange



64 Assembly of the Body Shell Mounting



87375 x4
Snap pin





Name: _____

Date: ____/____/____

Track: _____

Length:	Front width:	Rear width:	Wheelbase:	Height:	Weight:
Engine		Diff. Oil		Clutch ball	
Type:		Front: #	Machine oil	13T <input type="checkbox"/> 14T <input checked="" type="checkbox"/> Other _____ T. #	
Gasket:		Center: #	3000	Spur gear	
Plug:		Rear: #	Machine oil	48T <input type="checkbox"/> 52T <input checked="" type="checkbox"/> Other _____ T. #	
Fuel:					

Front Upper Arms

7.5 mm

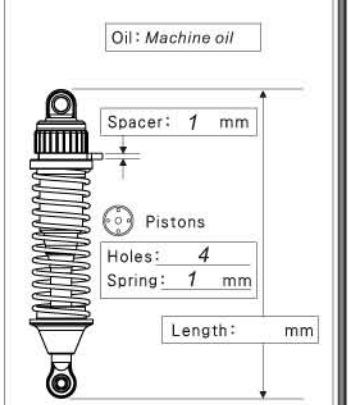
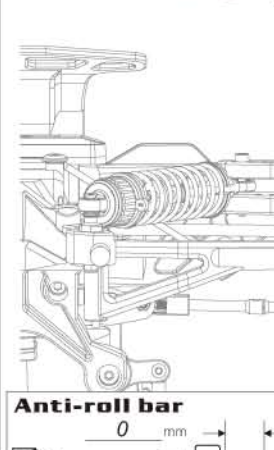
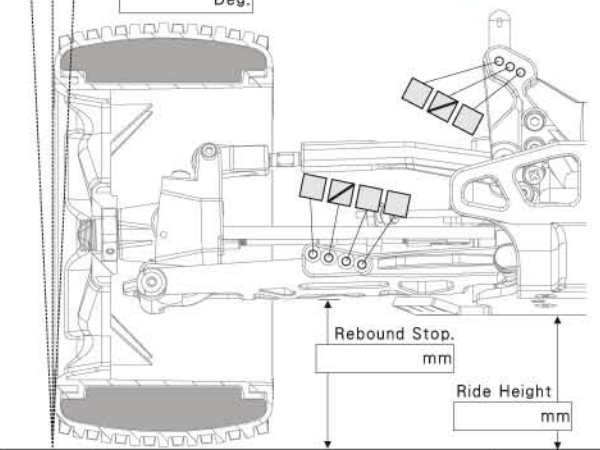
Steering Rod

59 mm

Front Suspension

Front Toe angle

Front Shock



Tire-front

Type: _____

Inner: _____

Rear Upper Arms

56 mm

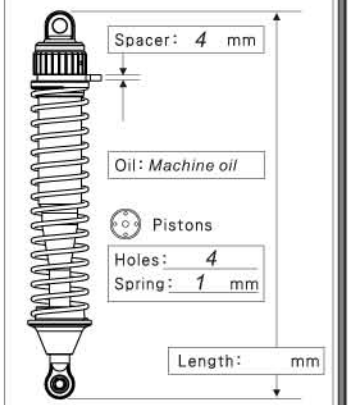
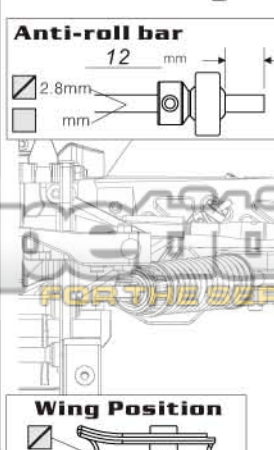
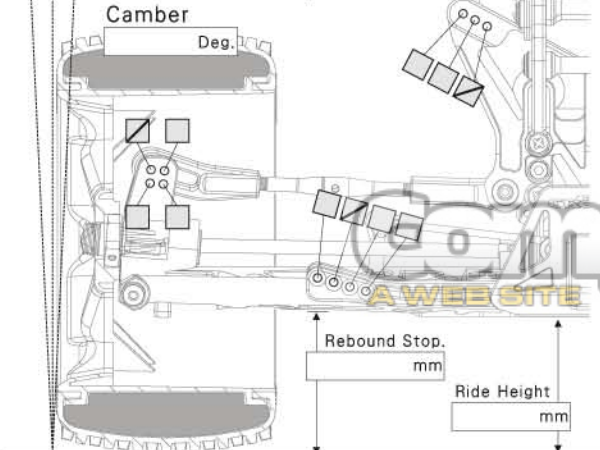
Steering Servo Rod

32 mm

Rear Suspension

Rear Toe angle

Rear Shock



Tire-Rear

Type: _____

Inner: _____

A WEB SITE FOR THE SERIOUS RACER



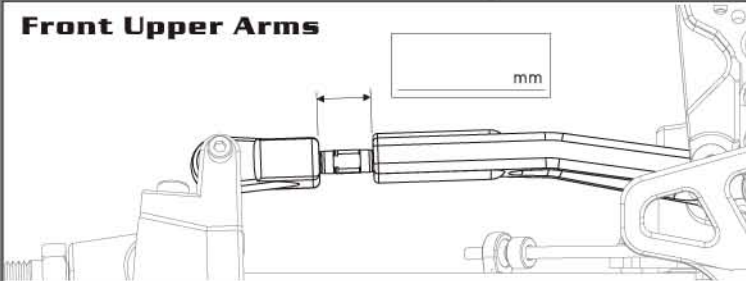
Name: _____

Date: ____/____/____

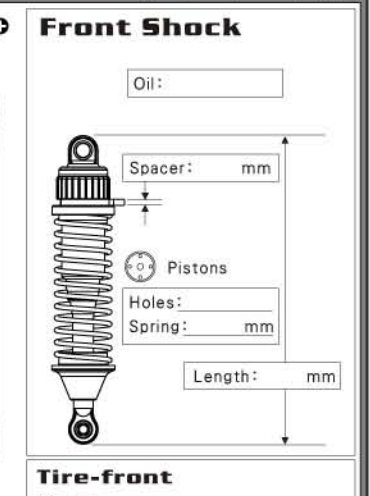
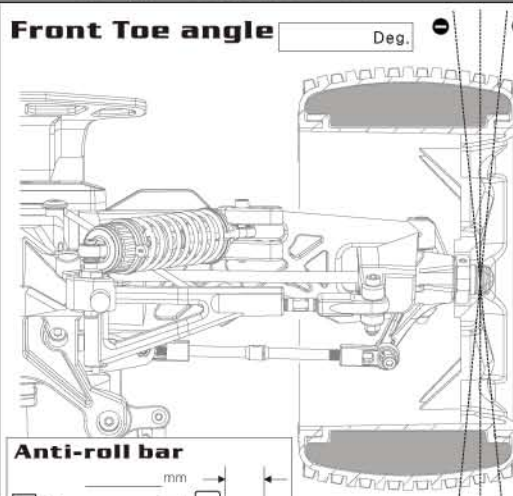
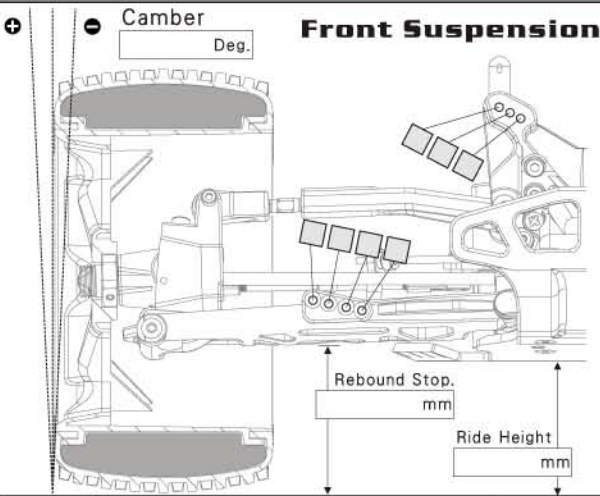
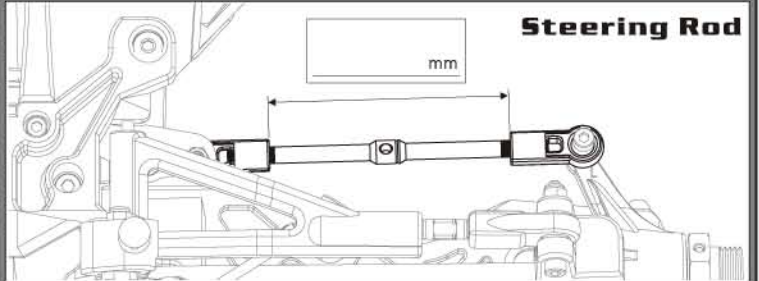
Track: _____

Length:	Front width:	Rear width:	Wheelbase:	Height:	Weight:
Engine		Diff. Oil		Clutch ball	
Type:		Front: #		13T <input type="checkbox"/> 14T <input type="checkbox"/> Other _____ T. #	
Gasket:		Center: #		Spur gear	
Plug:		Rear: #		48T <input type="checkbox"/> 52T <input type="checkbox"/> Other _____ T. #	
Fuel:					

Front Upper Arms



Steering Rod

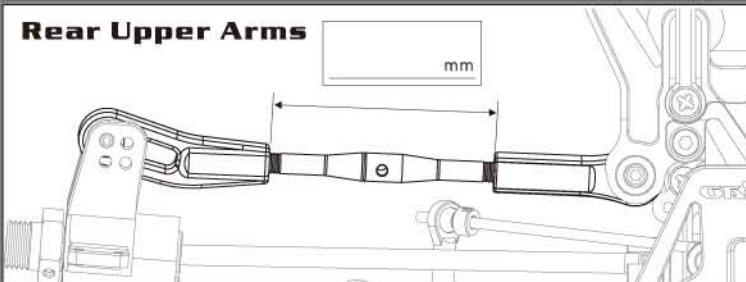


Tire-front

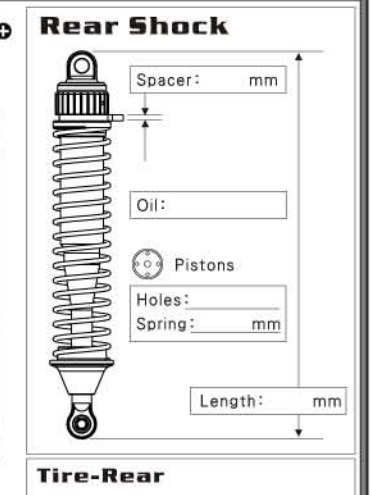
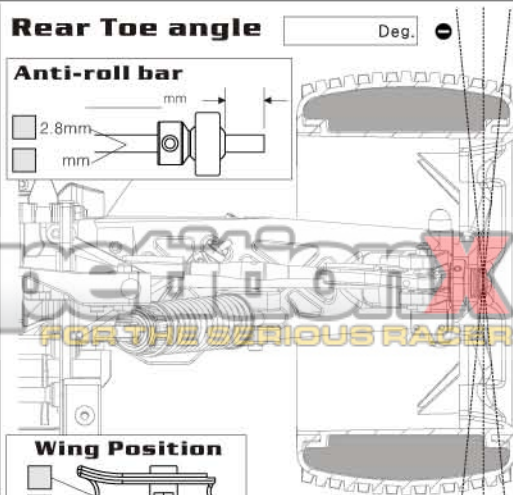
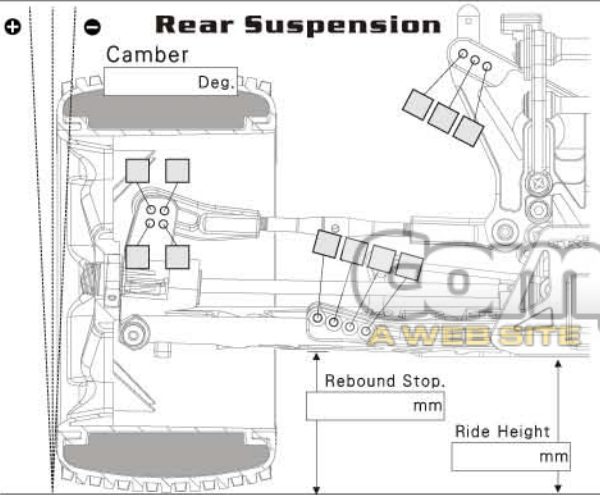
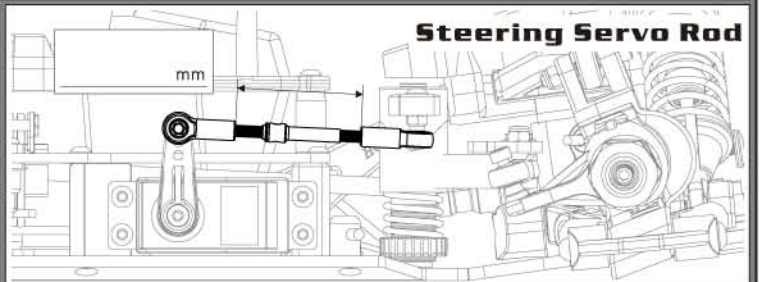
Type: _____

Inner: _____

Rear Upper Arms



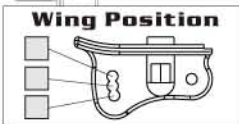
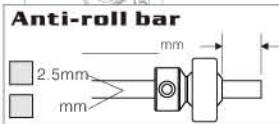
Steering Servo Rod



Tire-Rear

Type: _____

Inner: _____



A WEB SITE FOR THE SERIOUS RACER

HO BAO ENTERPRISING CO.,LTD.

www.hobao.com.tw

E-MAIL:hobao@hobao.com.tw

MADE IN TAIWAN

HO BAO ENTERPRISING CO.,LTD.
www.hobao.com.tw
E-MAIL:hobao@hobao.com.tw
MADE IN TAIWAN

CompetitionX
A WEB SITE FOR THE SERIOUS RACER