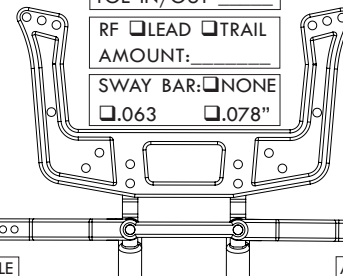


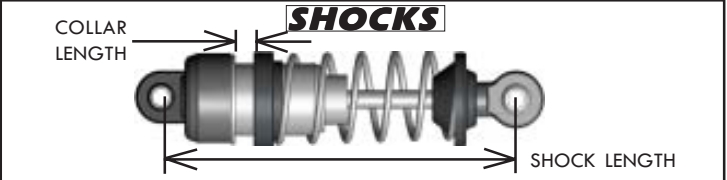


DRIVER: \_\_\_\_\_  
 DATE: \_\_\_\_\_  
 EVENT: \_\_\_\_\_  
 CLASS: \_\_\_\_\_  
 TRACK: \_\_\_\_\_ LENGTH: \_\_\_\_\_

Clay  Hard Packed  Loose Dirt  
 Carpet  Asphalt  Concrete  
 Flat  Banked  True Oval  Tri-Oval  
 Traction:  High  Medium  Low

### FRONT SUSPENSION

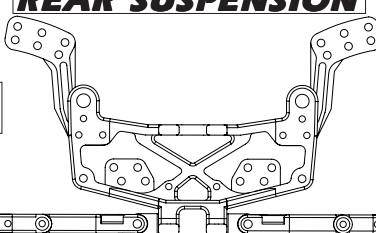
<b>LEFT</b> CAMBER: _____ CAMBER LINK LOCATION <input type="checkbox"/> OUTER <input type="checkbox"/> INNER CAMBER RATE SHIMS: _____		<b>RIGHT</b> CAMBER: _____ CAMBER LINK LOCATION <input type="checkbox"/> OUTER <input type="checkbox"/> INNER CAMBER RATE SHIMS: _____
TOE IN/OUT _____ RF <input type="checkbox"/> LEAD <input type="checkbox"/> TRAIL AMOUNT: _____ SWAY BAR: <input type="checkbox"/> NONE <input type="checkbox"/> .063 <input type="checkbox"/> .078"		
ACKERMANN: <input type="checkbox"/> ON SPINDLE <input type="checkbox"/> SHORT <input type="checkbox"/> MIDDLE <input type="checkbox"/> LONG		
FRONT AXLE: <input type="checkbox"/> STOCK <input type="checkbox"/> EXTENDED CASTOR: <input type="checkbox"/> 0° <input type="checkbox"/> +5° <input type="checkbox"/> -5° <input type="checkbox"/> +10° <input type="checkbox"/> -10° KICK-UP: <input type="checkbox"/> 25° <input type="checkbox"/> 20° HIGH <input type="checkbox"/> 20° LO <input type="checkbox"/> 15° HIGH <input type="checkbox"/> 15° LO		
AXLE SHIMS: _____		



### SHOCKS

<b>LEFT FRONT SHOCK</b> BODY LENGTH <input type="checkbox"/> SHORT <input type="checkbox"/> MED <input type="checkbox"/> LONG SHAFT LENGTH <input type="checkbox"/> SHORT <input type="checkbox"/> MED <input type="checkbox"/> LONG SPRING: _____ OIL: _____ PISTON: _____ BLADDER: _____ LENGTH: _____ COLLAR: _____	<b>RIGHT FRONT SHOCK</b> BODY LENGTH <input type="checkbox"/> SHORT <input type="checkbox"/> MED <input type="checkbox"/> LONG SHAFT LENGTH <input type="checkbox"/> SHORT <input type="checkbox"/> MED <input type="checkbox"/> LONG SPRING: _____ OIL: _____ PISTON: _____ BLADDER: _____ LENGTH: _____ COLLAR: _____
---	--

### REAR SUSPENSION

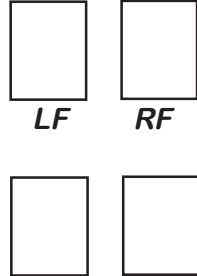
<b>LEFT</b> CAMBER LINK LOCATION <input type="checkbox"/> OUTER <input type="checkbox"/> INNER		<b>RIGHT</b> CAMBER LINK LOCATION <input type="checkbox"/> INNER <input type="checkbox"/> OUTER
HUB SPACING: <b>F O O O O O O O</b> SWAY BAR: <input type="checkbox"/> NONE <input type="checkbox"/> .063" <input type="checkbox"/> .078" REAR WIDTH _____ LR: _____ RR: _____ TOE-BLOCK SHIMS: _____ LR: _____ RR: _____ ANTI-SQUAT SHIMS: _____ LR: _____ RR: _____		
CAMBER: _____ TOE-IN: _____ WHEEL SPACERS: _____		

### LEFT REAR SHOCK

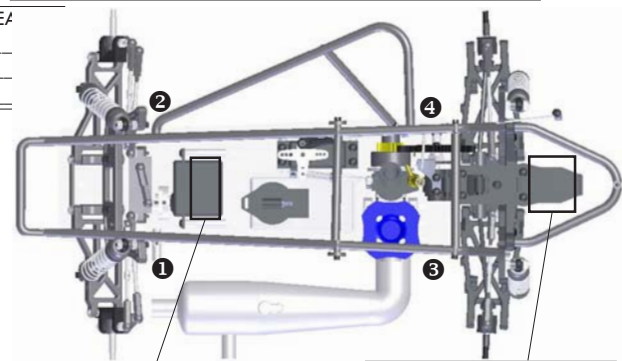
<b>LEFT REAR SHOCK</b> BODY LENGTH <input type="checkbox"/> SHORT <input type="checkbox"/> MED <input type="checkbox"/> LONG SHAFT LENGTH <input type="checkbox"/> SHORT <input type="checkbox"/> MED <input type="checkbox"/> LONG SPRING: _____ OIL: _____ PISTON: _____ BLADDER: _____ LENGTH: _____ COLLAR: _____	<b>RIGHT REAR SHOCK</b> BODY LENGTH <input type="checkbox"/> SHORT <input type="checkbox"/> MED <input type="checkbox"/> LONG SHAFT LENGTH <input type="checkbox"/> SHORT <input type="checkbox"/> MED <input type="checkbox"/> LONG SPRING: _____ OIL: _____ PISTON: _____ BLADDER: _____ LENGTH: _____ COLLAR: _____
--	---

### TIRES & TRACTION

-SHADE IN MOUNTING LOCATIONS ON SUSPENSION ARMS, BEARING CARRIER AND SHOCK TOWER. -SHADE IN AREAS OF TRACTION ADDITIVE AND DRAW IN TIRE GROOVES

TIRE TYPE: <input type="checkbox"/> FOAM <input type="checkbox"/> STREET RUBBER <input type="checkbox"/> LOOSE DIRT COMPOUND _____ DIAMETER _____ INSERT _____		RECIEVER <input type="checkbox"/> AS SHOWN <input type="checkbox"/>
RF: _____ LF: _____ RR: _____ LR: _____ TRACTION ADDITIVE: _____	<b>LF</b> <b>RF</b>    <b>LR</b> <b>RR</b>	RECIEVER PACK <input type="checkbox"/> AS SHOWN <input type="checkbox"/>

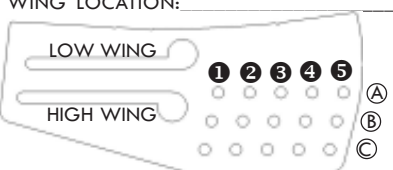
### WEIGHT & CHASSIS HEIGHTS



ADDED LEA FRONT _____ MIDDLE _____ REAR _____	CORNER WEIGHTS: LF: _____ RF: _____ LR: _____ RR: _____
OVERALL WEIGHT: _____	
CHASSIS HEIGHTS BY LOCATION: <b>1</b> _____ <b>2</b> _____ <b>3</b> _____ <b>4</b> _____ MEASURED FROM: <input type="checkbox"/> TOP OF CHASSIS <input type="checkbox"/> BOTTOM OF CHASSIS	

### WING

MAIN WING SIZE:  6X6  7X7  
 FRONT WING SIZE: \_\_\_\_\_  
 SPOILER LENGTH: \_\_\_\_\_  
 WING LOCATION: \_\_\_\_\_



HOOD TYPE: \_\_\_\_\_

### MISC...

MOTOR: \_\_\_\_\_  
 PIPE: \_\_\_\_\_  
 FUEL: \_\_\_\_\_  
 PINION: \_\_\_\_\_ SPUR: \_\_\_\_\_  
 CLUTCH TYPE:  STOCK(2)  3-SHOE  
 OTHER: \_\_\_\_\_  
 CLUTCH SPRING:  STOCK  #4320  
 OTHER: \_\_\_\_\_  
 NOTES: \_\_\_\_\_