

# S.U.T. SETUP SHEET

Name of Driver		Date	Track		Engine
Fuel	Plug	Clutch Bell	Tire	Inner	Muffler

Shock Set-up Silicone Shock Oil Brand: GS Racing

	Front	Rear
Shock Piston		
Shock Oil		
Shock Spring (rate)		
Spring Adjuster		

Shock Mounting Position

	Front	Rear
Shock Tower	I . C . O	I . C . O
Suspension Arm	I . C . O	I . C . O

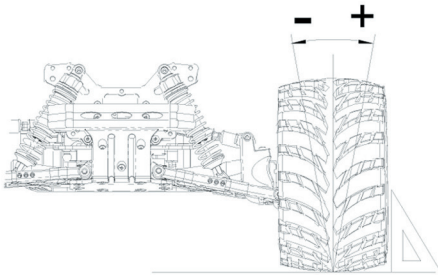
I = Inside Hole  
C = Center Hole  
O = Outer Hole

Diff. Gear Set-up Silicone Shock Oil Brand:

	Front	Center	Rear
Diff. Oil			

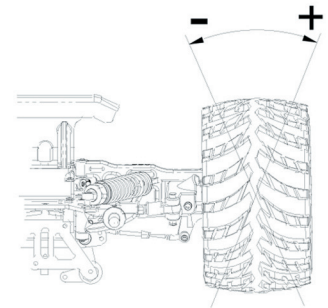
Camber Angle

	Front	Rear
Camber Angle		



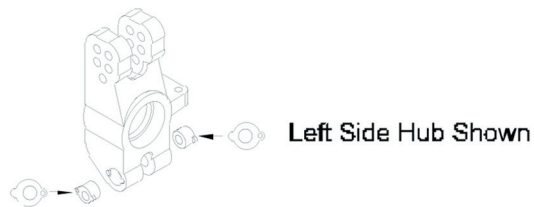
Toe Angle (Front)

	Front
Toe Angle	



Outboard  
Toe Angle (Rear)

	Rear
Toe Angle	



Anti-squat (Hinge Pin Holders)

Front	
Rear	



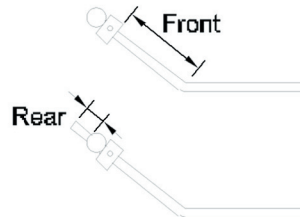
Inboard  
Toe Angle (Rear)

1°                      2°                      3°



Sway Bar

Front	Rear
0mm	0mm



Upper Arm Position

	Front	Rear
Bulk Side	Upper . Lower	1. 2. 3. 4. 5
Wheel Side	—————	1. 2. 3. 4. 5

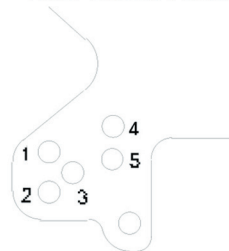
Wheebase		
Short	Medium	Long

Steering Plate

A . B . C
-----------



Rear Shock Tower



Rear Hub Carrier

