

DRIVER: \_\_\_\_\_

DATE: \_\_\_\_\_

- OPEN  
 MEDIUM  
 TIGHT

- HIGH  
 MEDIUM  
 LOW

- SMOOTH  
 MEDIUM  
 BUMPY

## FRONT SUSPENSION

IN: \_\_\_\_\_

TOE ANGLE:  OUT: \_\_\_\_\_

RIDE HEIGHT

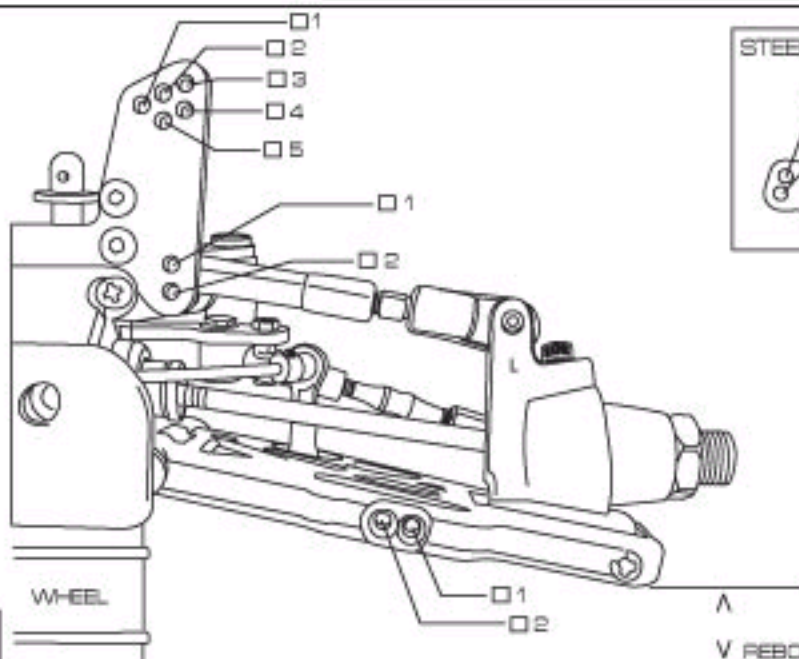
FRONT: \_\_\_\_\_

CAMBER: \_\_\_\_\_

REBOUND STOP: \_\_\_\_\_

CASTER  17°  20°  22°

SWAY BAR  2.4mm  
 2.6mm



NOTES: \_\_\_\_\_  
 \_\_\_\_\_  
 \_\_\_\_\_

## FRONT SHOCKS

OIL: \_\_\_\_\_

PISTONS: \_\_\_\_\_  STANDARD  DRILLED \_\_\_\_\_

SPRING: \_\_\_\_\_

## REAR SUSPENSION

A: \_\_\_\_\_

TOE ANGLE:  B: \_\_\_\_\_

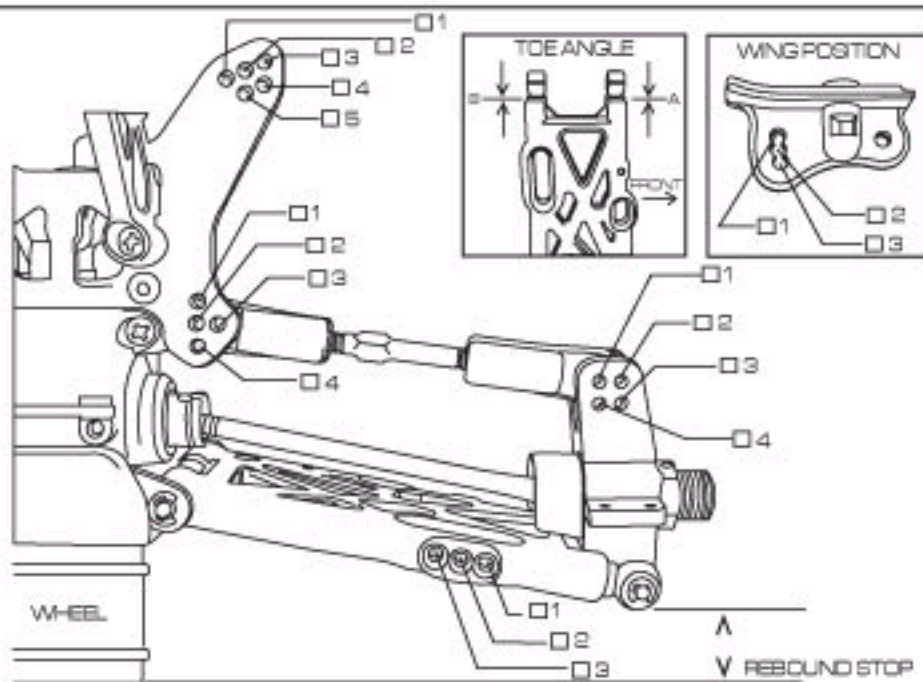
RIDE HEIGHT

REAR: \_\_\_\_\_

CAMBER: \_\_\_\_\_

REBOUND STOP: \_\_\_\_\_

SWAY BAR  2.8mm



NOTES: \_\_\_\_\_  
 \_\_\_\_\_  
 \_\_\_\_\_

## REAR SHOCKS

OIL: \_\_\_\_\_

PISTONS: \_\_\_\_\_  STANDARD  DRILLED \_\_\_\_\_

SPRING: \_\_\_\_\_

DIFF OIL FRONT: \_\_\_\_\_  
 CENTER: \_\_\_\_\_  
 REAR: \_\_\_\_\_

TIRES FRONT TYPE: \_\_\_\_\_ REAR TYPE: \_\_\_\_\_  
 INSERT: \_\_\_\_\_ INSERT: \_\_\_\_\_

ENGINE TYPE: \_\_\_\_\_ MUFFLER: \_\_\_\_\_  
 GASKET: \_\_\_\_\_mm FUEL: \_\_\_\_\_  
 PLUG: \_\_\_\_\_

CLUTCH CLUTCH BELL  13T CLUTCH SHOES  3 SHOE  
 14T  4 SHOE  
 OTHER \_\_\_\_\_T