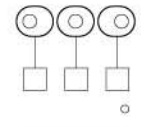
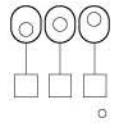
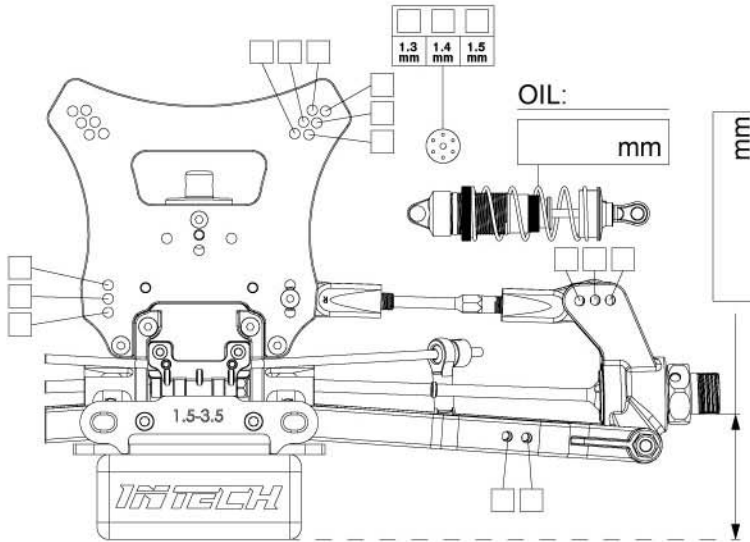
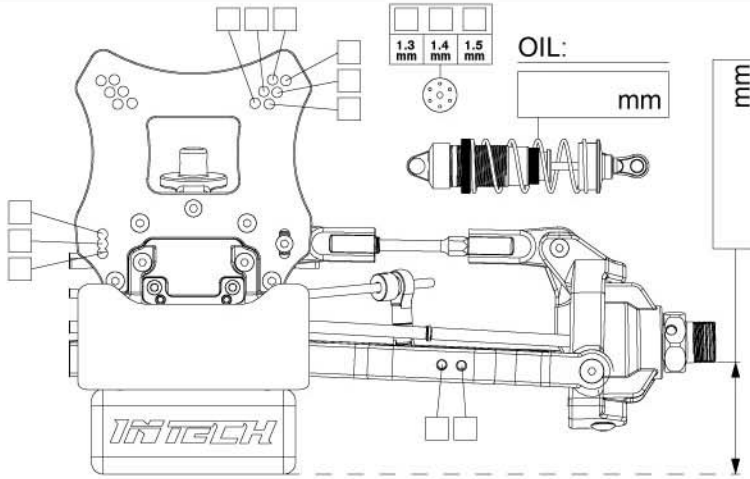


Name: _____

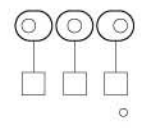
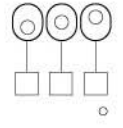
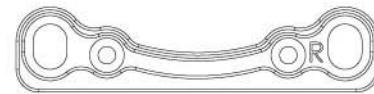
Date: _____

Race Track: _____



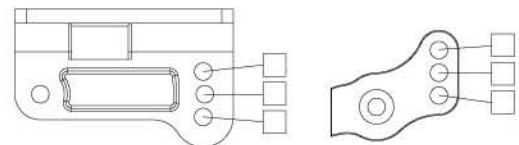
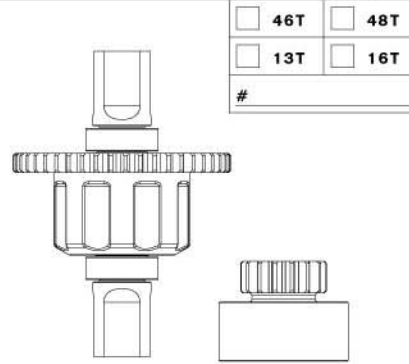
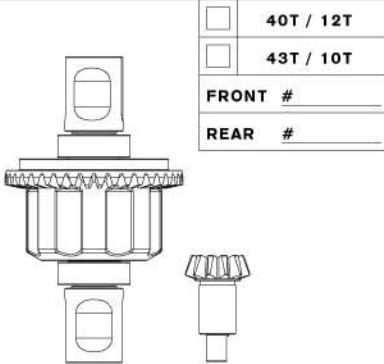
set the table angle

Insert	-1	-0.75	-0.5	-0.25	0	0.25	0.5	0.75	1
Angle	0	0.25	0.5	0.75	1	1.25	1.5	1.75	2

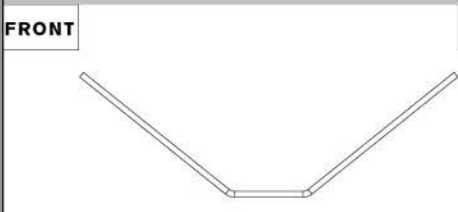


set the table angle

Insert	-1	-0.75	-0.5	-0.25	0	0.25	0.5	0.75	1
Angle	1.5	1.75	2	2.25	2.5	2.75	3	3.25	3.5

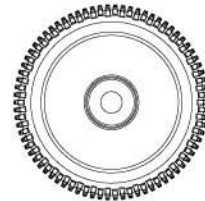


ANTI ROLL BAR



REAR FRONT

TIRES



REAR

ENGINE

TYPE	_____
MANIFOLD	_____
MUFFLER	_____
PLUG	_____
FUEL	_____

THICKNESS

TYPE
INSERTS
WHEELS

BODY

TYPE