

J-CONCEPTS BJ4 SET-UP SHEET:

DRIVER: _____

DATE: _____

TRACK/CITY: _____

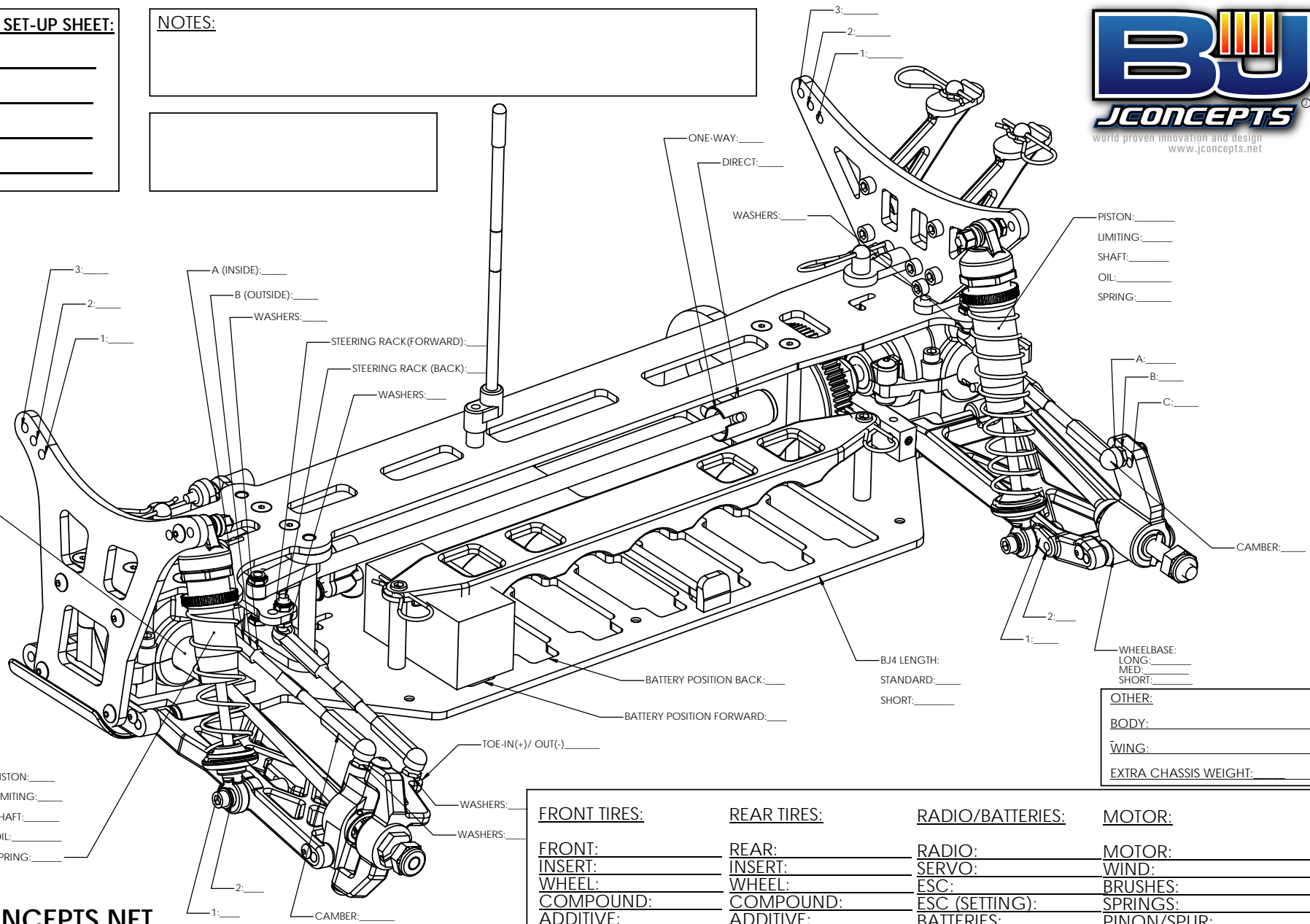
EVENT: _____

NOTES:



CONDITIONS:

- SMOOTH: _____
- BUMPY: _____
- LOW TRACTION: _____
- MED TRACTION: _____
- HIGH TRACTION: _____
- WET: _____
- DRY: _____
- SANDY: _____
- SOFT DIRT: _____
- GRASS: _____
- BLUE GROOVE: _____
- CLAY: _____
- DUSTY: _____
- OTHER: _____



ONE-WAY: _____
DIFF: _____

PISTON: _____
LIMITING: _____
SHAFT: _____
OIL: _____
SPRING: _____

PISTON: _____
LIMITING: _____
SHAFT: _____
OIL: _____
SPRING: _____

A: _____
B: _____
C: _____
CAMBER: _____
WHEELBASE:
LONG: _____
MED: _____
SHORT: _____

OTHER: _____
BODY: _____
WING: _____
EXTRA CHASSIS WEIGHT: _____

WWW.JCONCEPTS.NET

FRONT TIRES:

FRONT: _____
INSERT: _____
WHEEL: _____
COMPOUND: _____
ADDITIVE: _____

REAR TIRES:

REAR: _____
INSERT: _____
WHEEL: _____
COMPOUND: _____
ADDITIVE: _____

RADIO/BATTERIES:

RADIO: _____
SERVO: _____
ESC: _____
ESC (SETTING): _____
BATTERIES: _____

MOTOR:

MOTOR: _____
WIND: _____
BRUSHES: _____
SPRINGS: _____
PINON/SPUR: _____