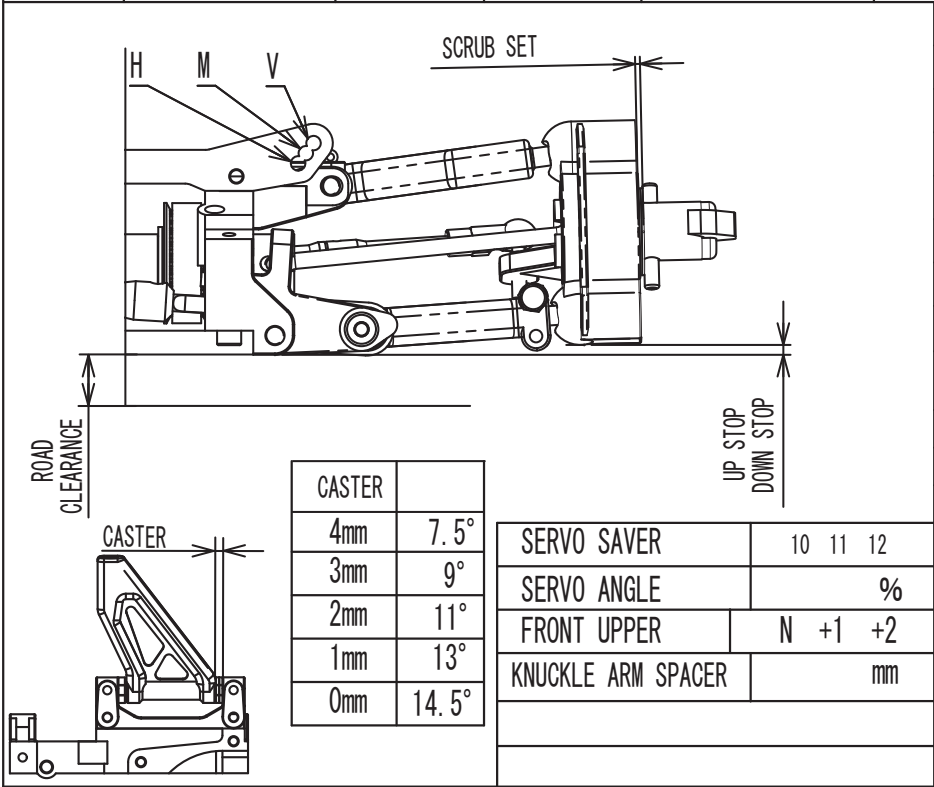


EVOLVA 2003 SETTING DATA SHEET Ver1.00

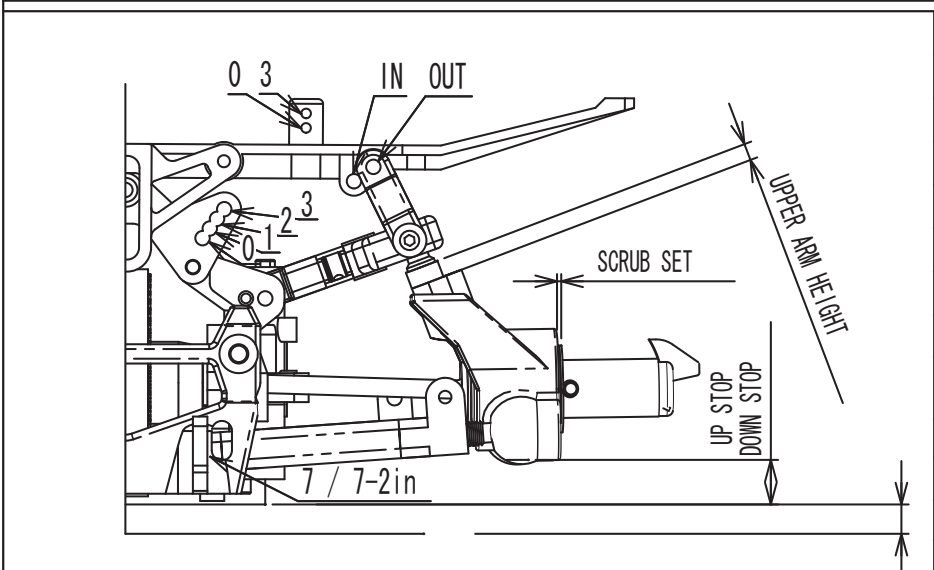
NAME	TEMP	°C	ENGINE	MUFFLER
DATE	HUMIDITY	%	HEAD CLEARANCE	mm
TRACK	TRACTION	%	PLUG No.	RADIO



CASTER	
4mm	7.5°
3mm	9°
2mm	11°
1mm	13°
0mm	14.5°

SERVO SAVER	10	11	12
SERVO ANGLE	%		
FRONT UPPER	N	+1	+2
KNUCKLE ARM SPACER	mm		

SHOCK OIL	400	450	500	550	600	700	800	
DIAPHRAGM								
SHOCK PISTON	N							
SPRING	1.8	1.9	2.0					
SPRING ADJUSTER	mm							
SHOCK POS	H M V							
SCRUB SET	0.5 1.0							
CASTER ANGLE	mm							
CAMBER ANGLE	L	0	0.5	1	1.5	2	2.5	3
	R	0	0.5	1	1.5	2	2.5	3
TOE ANGLE								
FRONT WIDTH	mm							
UP STOP	mm							
DOWN STOP	mm							
ANTIROLL BAR	⊖ ⊗ ⊘ ⊙ ⊕							
TIRE HARDNESS	32 35 37 40							
TIRE TYPE	STANDARD / MULTI							
TIRE DIAMETER	φ mm							
ROAD CLEARANCE	mm							



GEAR	TOTAL	GEAR	TOTAL	GEAR	TOTAL	GEAR	TOTAL	GEAR	TOTAL
15/47	7.52	15/48	7.68	15/49	7.84	19/44	5.56	19/45	5.68
16/47	7.05	16/48	7.20	16/49	7.35	20/44	5.28	20/45	5.40
17/47	6.64	17/48	6.78	17/49	6.92	21/44	5.03	21/45	5.14

SHOCK OIL	400	450	500	550	600	700	800	
DIAPHRAGM								
SHOCK PISTON	N							
SPRING	1.8	1.9	2.0					
SPRING ADJUSTER	mm							
SHOCK POS	0 1 2 3							
SCRUB SET	0.5 1.0 1.5 2.0							
UPPER ARM	mm IN/OUT							
CAMBER ANGLE	L	0.5	1	1.5	2	2.5	3	3.5
	R	0.5	1	1.5	2	2.5	3	3.5
TOE ANGLE								
REAR WIDTH	mm							
UP STOP	mm							
DOWN STOP	mm							
ANTIROLL BAR	φ3 / ○							
TIRE HARDNESS	32 35 37 40							
TIRE TYPE	STANDARD / MULTI							
TIRE DIAMETER	φ mm							
ROAD CLEARANCE	mm							
SUS HOLDER	7 / 7-2in							

CLUCH TYPE	3D	4D	PINION GEAR	15	16	17	18/19	20	21	22	
CLUCH SHOE	N	RED	GREY	SPUR GEAR	47	48	49 / 44	45			
HUGAL SHOE	N		DRIVE RATIO	7mm Difference 26/18 (420 BELT)							
CLUCH SPRING											
CLEARANCE	mm		BODY MOUNT POS	IN / OUT							
ADJ. NUT	mm		BODY MOUNT HEIGHT	0 / 3							

TIRE DIAMETER	φ	mm
ROAD CLEARANCE	mm	
BODY		
BODY POSITION	mm	
REAR SPOILER	mm	

MEMO