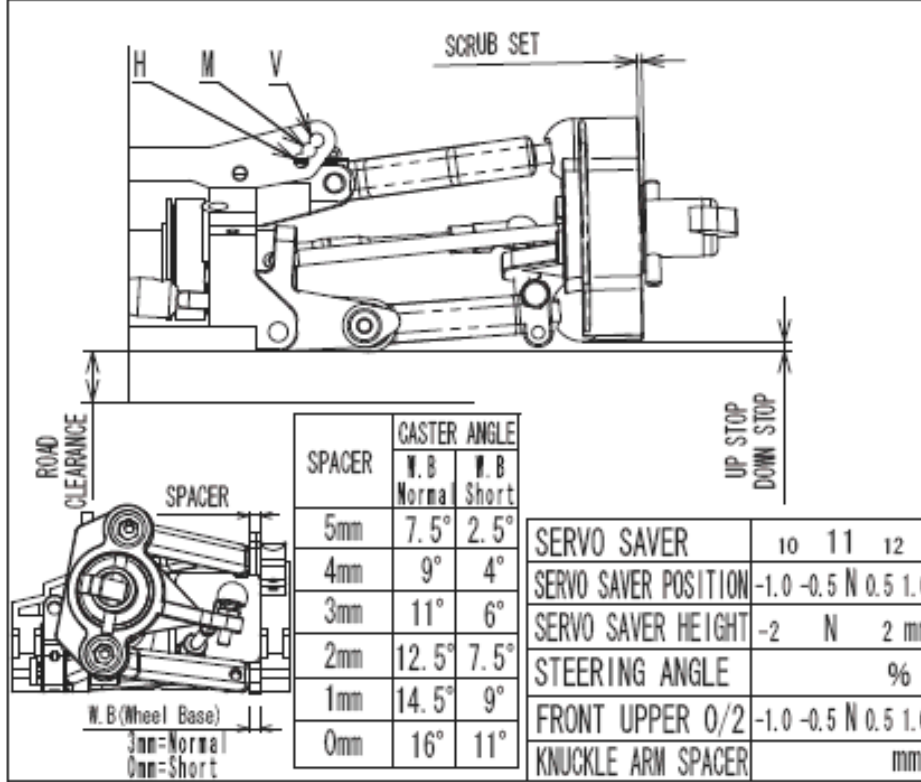
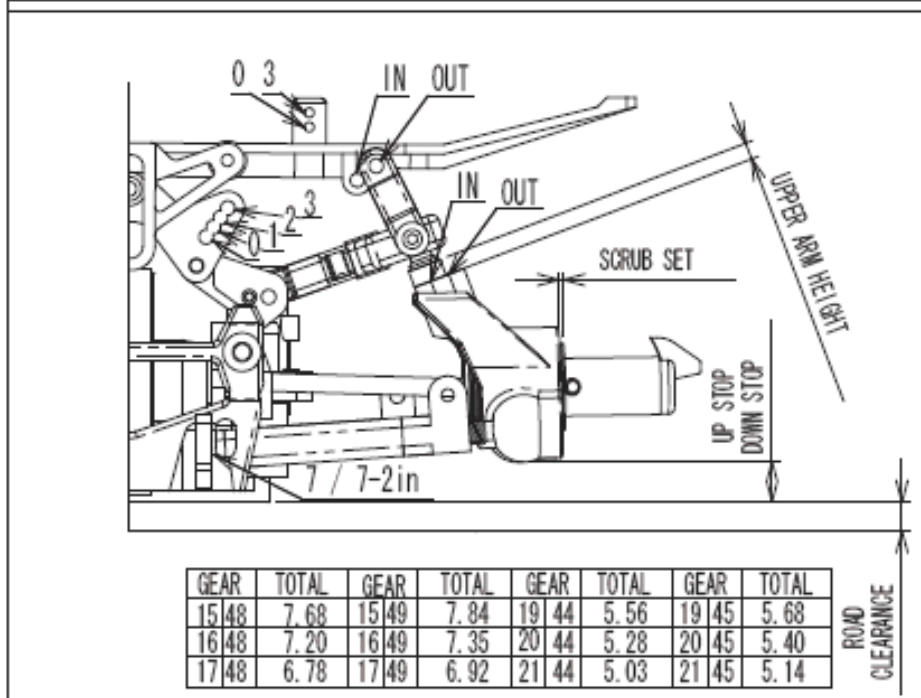


EVOLVA 2005 SETTING DATA SHEET Ver1.00

| | | | | |
|-------|----------|----|----------------|---------|
| NAME | TEMP | °C | ENGINE | MUFFLER |
| DATE | HUMIDITY | % | HEAD CLEARANCE | mm |
| TRACK | TRACTION | % | PLUG No. | RADIO |



| | |
|----------------------|--|
| SHOCK OIL | 400 450 500 550 600 700 800 |
| DIAPHRAGM | N |
| SHOCK PISTON | N |
| SPRING | 1.8 1.9 2.0 |
| SPRING ADJUSTER | mm |
| SHOCK POS | H M V |
| SCRUB SET | 0.5 1.0 |
| CASTER ANGLE / W.B | ° /Normal Short |
| CAMBER ANGLE OG/1G | L 0 0.5 1 1.5 2 2.5 3 R 0 0.5 1 1.5 2 2.5 3 |
| TOE ANGLE | ° |
| FRONT WIDTH OG/1G | mm |
| UP STOP | mm |
| DOWN STOP | mm |
| SERVO SAVER | 10 11 12 |
| SERVO SAVER POSITION | -1.0 -0.5 N 0.5 1.0 |
| SERVO SAVER HEIGHT | -2 N 2 mm |
| STEERING ANGLE | % |
| FRONT UPPER O/2 | -1.0 -0.5 N 0.5 1.0 |
| KNUCKLE ARM SPACER | mm |
| ANTIROLL BAR | 7/2884s 7/2884s |
| TIRE HARDNESS | 32 35 37 40 |
| TIRE TYPE | |
| TIRE DIAMETER | φ mm |
| ROAD CLEARANCE | mm |



| | |
|--------------------|--|
| SHOCK OIL | 400 450 500 550 600 700 800 |
| DIAPHRAGM | N |
| SHOCK PISTON | N |
| SPRING | 1.8 1.9 2.0 |
| SPRING ADJUSTER | mm |
| SHOCK POS | 0 1 2 3 |
| SCRUB SET | 0.5 1.0 1.5 2.0 |
| UPPER ARM | mm IN/OUT |
| CAMBER ANGLE OG/1G | L 0.5 1 1.5 2 2.5 3 3.5 R 0.5 1 1.5 2 2.5 3 3.5 |
| TOE ANGLE | ° |
| REAR WIDTH OG/1G | mm |
| UP STOP | mm |
| DOWN STOP | mm |
| ANTIROLL BAR | φ3 / ○ |
| TIRE HARDNESS | 32 35 37 40 |
| TIRE TYPE | |
| TIRE DIAMETER | φ mm |
| ROAD CLEARANCE | mm |
| SUS HOLDER | 7 / 7-2in |
| BODY | |

| | | | |
|------------------|----------------|---------------------|-----------------------------------|
| CLUTCH TYPE | 3D 4D | PINION GEAR | 15 16 17 / 19 20 21 |
| CLUTCH SHOE | BLACK RED GREY | SPUR GEAR | 48 49 / 44 45 |
| CENTRIFUGAL SHOE | N | DRIVE RATIO | 7mm Difference 26/18(420 BELT) |
| CLUTCH SPRING | | | |
| CLEARANCE | mm | BODY MOUNT POSITION | IN / OUT |
| ADJ. NUT | mm | BODY MOUNT HEIGHT | 0 / 3 |
| | | BODY POSITION | mm |
| | | REAR SPOILER | mm |

MEMO