

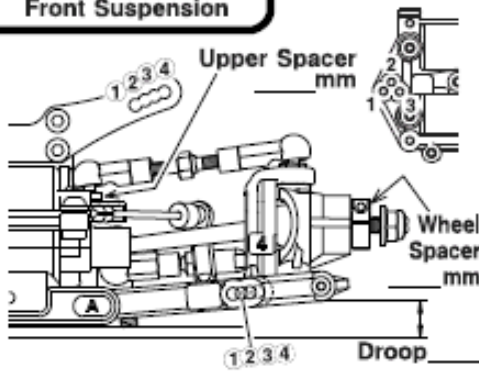
Name \_\_\_\_\_

Date \_\_\_\_\_

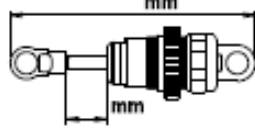
Truck / CITY \_\_\_\_\_

Event \_\_\_\_\_

### Front Suspension



Shock Piston \_\_\_\_\_  
 Shock Oil # \_\_\_\_\_  
 Shock Spring \_\_\_\_\_  
 Diaphragm \_\_\_\_\_  
 Pressure Form

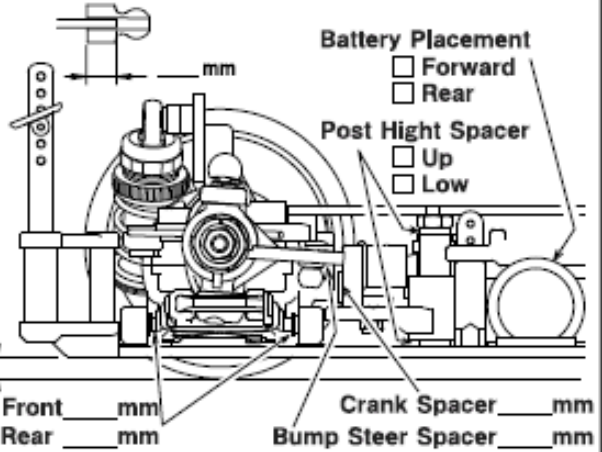


Camber Angle \_\_\_\_\_°  
 Toe Angle \_\_\_\_\_°  
 Sway bar

Front Diff.  
 Spool  
 Oneway  
 Diff.

Battery Placement  
 Forward  
 Rear

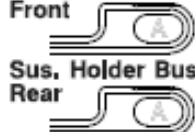
Post High Spacer  
 Up  
 Low



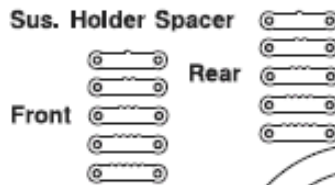
### Sus. Holder Spacer



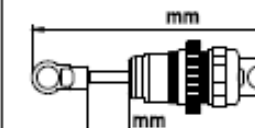
### Sus. Holder Bush Front



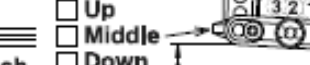
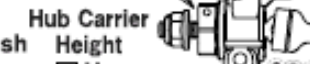
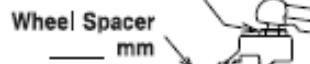
### Rear Suspension



Shock Piston \_\_\_\_\_  
 Shock Oil # \_\_\_\_\_  
 Shock Spring \_\_\_\_\_  
 Diaphragm \_\_\_\_\_  
 Pressure Form



Camber Angle \_\_\_\_\_°  
 Toe Angle \_\_\_\_\_°  
 Sway bar



### Tire

Tire \_\_\_\_\_  
 Inserts \_\_\_\_\_  
 Wheel \_\_\_\_\_  
 Traction Compound 1st: \_\_\_\_\_ 2nd: \_\_\_\_\_

### Comments

### Others

Motor \_\_\_\_\_ 2nd Gear Ratio : 2,5  
 Pinion/Spur \_\_\_\_\_ / \_\_\_\_\_ Gear Ratio \_\_\_\_\_  
 Battery \_\_\_\_\_ ESC \_\_\_\_\_  
 Body \_\_\_\_\_ Wing \_\_\_\_\_

### Truck Condition

Smooth  Asphalt  
 Bumpy  Concrete  
 Low Truction  Carpet  
 Med. Truction  Indoor  
 Higt Truction  Outdoor

### Spring Rate

#30	Red	W5189-30
#32	Yellow	W5189-32
#34	Blue	W5189-34

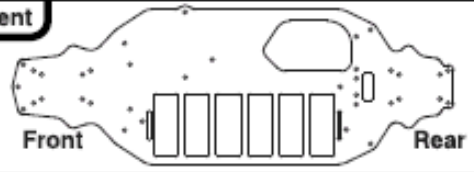
### Diaphragm



### Toe Angle



### Weight Placement



### Shock Piston



### Sway Bar

1.0	Nickel
1.1	Gold
1.2	Silver
1.3	Copper
1.4	Black
1.5	Golden
1.6	Chromium

		in										
		FF	EE	DD	CC	BB	AA	BB	CC	DD	EE	FF
In	FF	0.0	0.5	1.0	1.5	2.0	2.5	3.0	3.5	4.0	5.0	5.5
	EE	-0.5	0.0	0.5	1.0	1.5	2.0	2.5	3.0	3.5	4.0	5.0
	DD	-1.0	-0.5	0.0	0.5	1.0	1.5	2.0	2.5	3.0	3.5	4.0
	CC	-1.5	-1.0	-0.5	0.0	0.5	1.0	1.5	2.0	2.5	3.0	3.5
Out	BB	-2.0	-1.5	-1.0	-0.5	0.0	0.5	1.0	1.5	2.0	2.5	3.0
	AA	-2.5	-2.0	-1.5	-1.0	-0.5	0.0	0.5	1.0	1.5	2.0	2.5
	BB	-3.0	-2.5	-2.0	-1.5	-1.0	-0.5	0.0	0.5	1.0	1.5	2.0
	CC	-3.5	-3.0	-2.5	-2.0	-1.5	-1.0	-0.5	0.0	0.5	1.0	1.5
Out	DD	-4.0	-3.5	-3.0	-2.5	-2.0	-1.5	-1.0	-0.5	0.0	0.5	1.0
	EE	-5.0	-4.0	-3.5	-3.0	-2.5	-2.0	-1.5	-1.0	-0.5	0.0	0.5
	FF	-5.5	-5.0	-4.0	-3.5	-3.0	-2.5	-2.0	-1.5	-1.0	-0.5	0.0