

GP **ULTIMAST** TYPE R

KYOSHO
THE FINEST RADIO CONTROL MODELS

SET UP SHEET

Name of Driver	Date	Track	Track Condition
----------------	------	-------	-----------------

Radio	Engine Plug :	Muffler/Pipe	Fuel
-------	------------------	--------------	------

Shock Piston
Shock 2-B 2-C 3-A 3-B

P = Pressure Type
N = Non-Pressure Type

Gear Ratio

Spur Gear

T

	Piston	Oil	Spring	Spacer	Type
Front					P / N
Rear					P / N

Clutch Bell

T

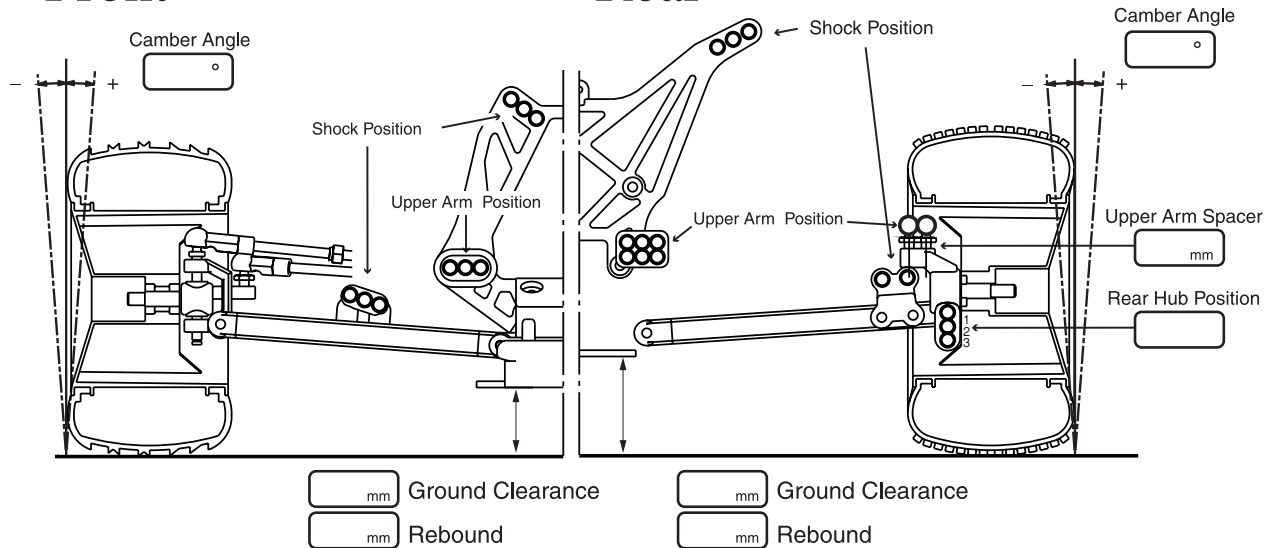
Tire

	Tire	Inner
Front		
Rear		

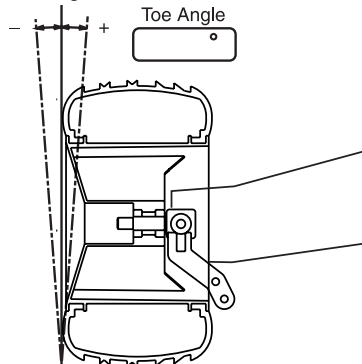
Comments

Front

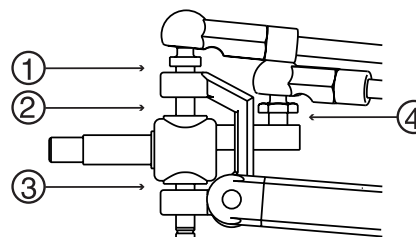
Rear



Front Toe Angle



Front Knuckle Area



Spacer for ① - ④

①	mm
②	mm
③	mm
④	mm