

DRIVER: _____

DATE: _____

- OPEN
- MEDIUM
- TIGHT

- HIGH
- MEDIUM
- LOW

- SMOOTH
- MEDIUM
- BUMPY

FRONT SUSPENSION

IN: _____

TOE ANGLE: OUT: _____

RIDE HEIGHT

FRONT: _____

CAMBER: _____

REBOUND STOP: _____

CASTER: _____

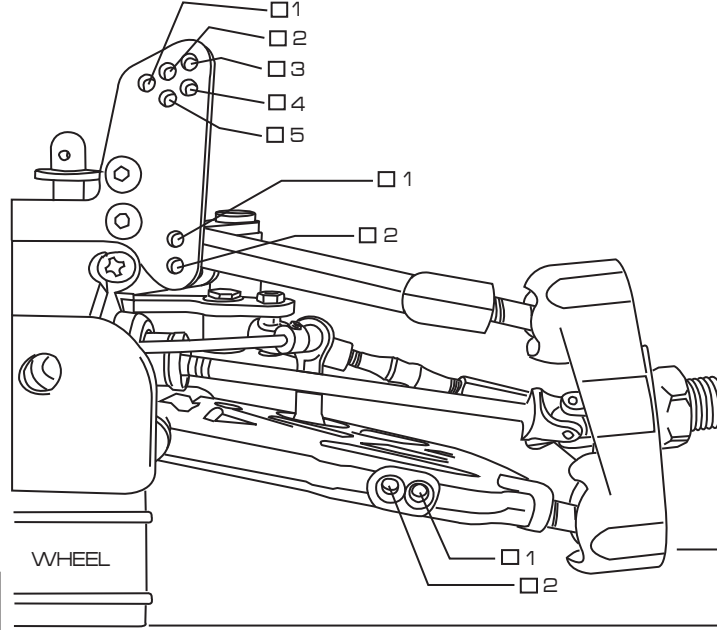
SWAY BAR 2.4mm
 2.6mm

FRONT SHOCKS

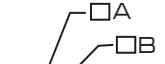
OIL: _____

PISTONS: _____ STANDARD DRILLED _____

SPRING: _____



STEERING SLIDER



NOTES: _____

REAR SUSPENSION

A: _____

TOE ANGLE: B: _____

RIDE HEIGHT

REAR: _____

CAMBER: _____

REBOUND STOP: _____

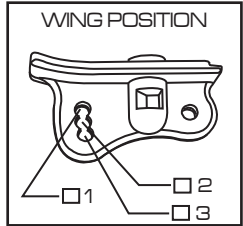
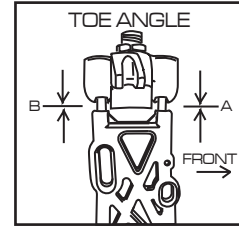
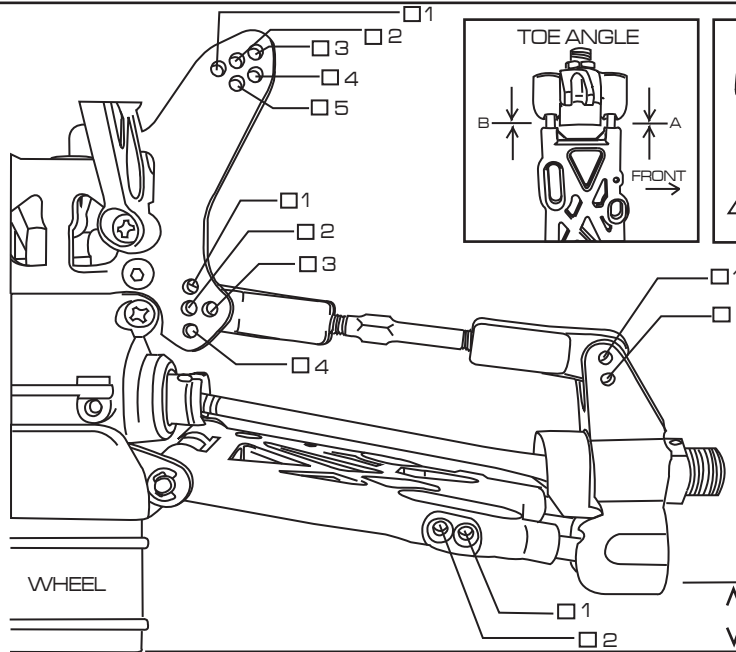
SWAY BAR 2.8mm

REAR SHOCKS

OIL: _____

PISTONS: _____ STANDARD DRILLED _____

SPRING: _____



NOTES: _____

DIFF OIL

FRONT: _____
CENTER: _____
REAR: _____

TIRES

FRONT
TYPE: _____
INSERT: _____

REAR

TYPE: _____
INSERT: _____

ENGINE

TYPE: _____ MUFFLER: _____
GASKET: _____mm FUEL: _____
PLUG: _____

CLUTCH

CLUTCH BELL 13T CLUTCH SHOES
 14T 3 SHOE
 OTHER ___T 4 SHOE