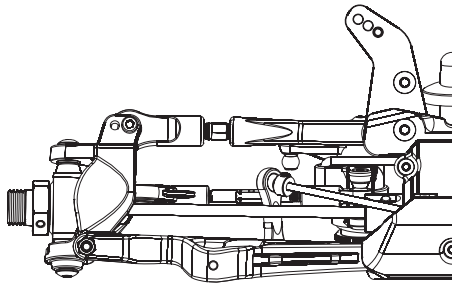


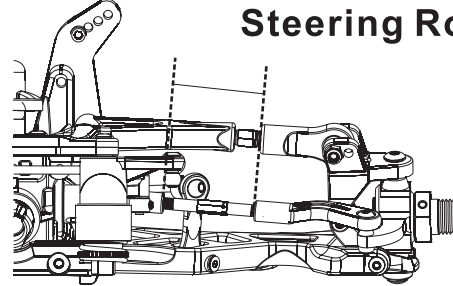
Length: Front width: Rear width: Wheelbase: Height: Weight:

Engine	Diff.Oil	Clutch bell
Type:	Front:Grease	13T <input type="checkbox"/> 14T <input checked="" type="checkbox"/> other:
Gasket:	Center:Grease	Spur gear
Plug:	Rear:Grease	40T <input checked="" type="checkbox"/> other:
Fuel:		

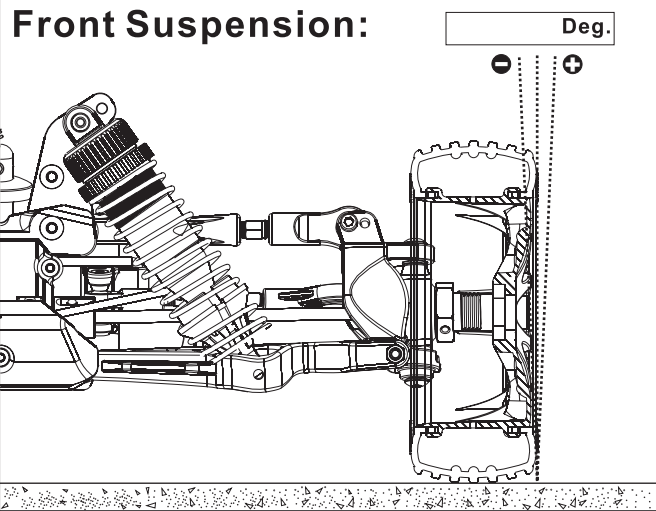
Front Arms:



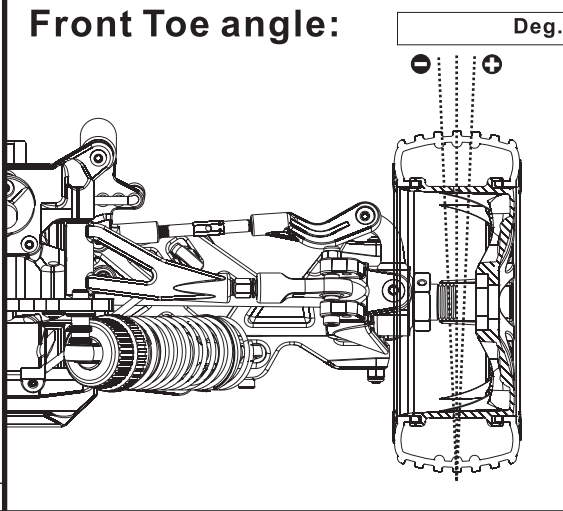
Steering Rod:



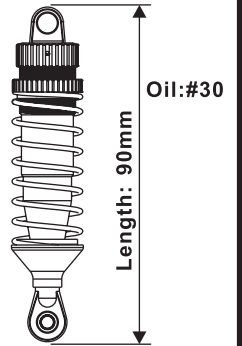
Front Suspension:



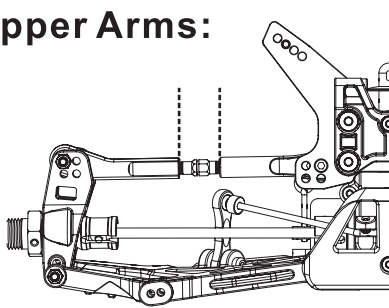
Front Toe angle:



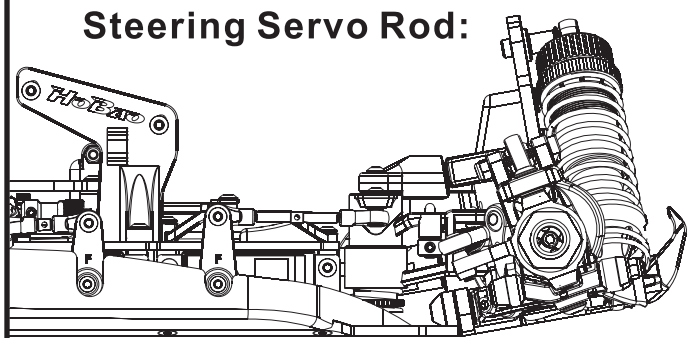
Front Shock:



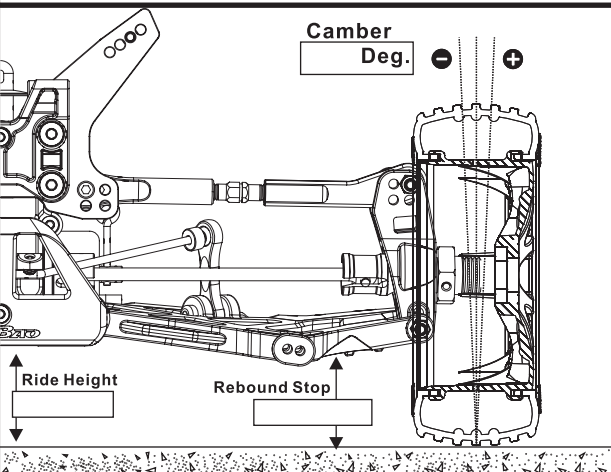
Rear Front Upper Arms:



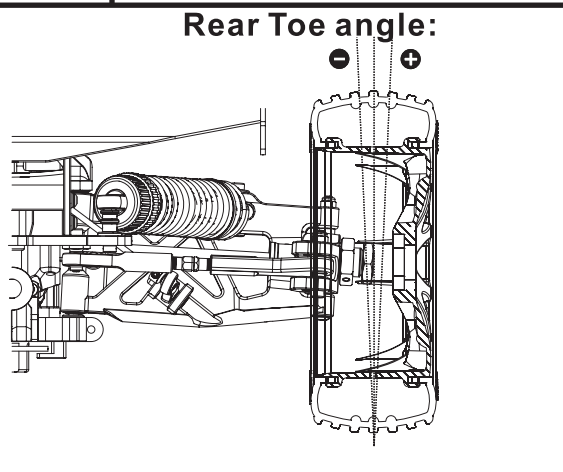
Steering Servo Rod:



Camber
Deg. - +



Rear Toe angle:



Rear Shock:

