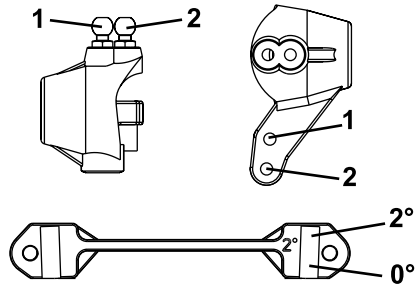
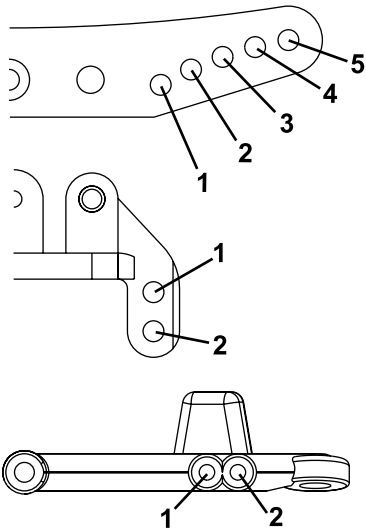


Driver:
Date:
Meeting:
Best Time:

Track details:
 Indoor Tight Carpet
 Outdoor Open Concrete
 Tarmac
 Other.....



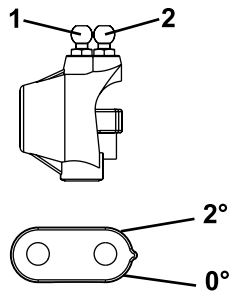
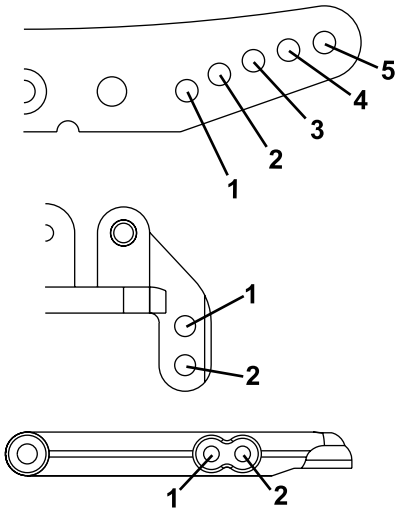
FRONT SETTINGS



SHOCKS
Oil..... *Wt*.....
Spring.....
Piston..... *hole(s)*.....
Spacer..... *mm*.....
Length..... *mm*.....
Droop..... *mm*.....

Bracket Type..... *S1*..... *Carbon*.....
Hub Carrier..... *Plastic*..... *Alloy (High/Low)*.....
Anti-Roll Bar.....
Caster..... *degrees*.....
Toe-In/Outboard..... *degrees*.....
Ride Height..... *mm*.....
Camber..... *degrees*.....
Lower Wisbone..... *Forward* *Rear*.....
Front Driveshafts..... *Plastic*..... *Steel*.....
Notes:

REAR SETTINGS



SHOCKS
Oil..... *Wt*.....
Spring.....
Piston..... *hole(s)*.....
Spacer..... *mm*.....
Length..... *mm*.....
Droop..... *mm*.....

Bracket Type..... *S1*..... *Carbon*.....
Hub Carrier..... *Plastic*..... *Alloy (High/Low)*.....
Anti-Roll Bar.....
Anti/Pro Squat.....
Toe-In (Out Board)..... *degrees*.....
Ride Height..... *mm*.....
Camber..... *degrees*.....
Lower Wisbone..... *Forward* *Middle* *Rear*.....
Rear Driveshafts..... *Plastic*..... *Steel*.....
Notes:

Motor.....
Gearing..... *Pinion*..... *tooth*..... *Spur*..... *tooth*.....
Pulley Size..... *17 tooth*..... *20 tooth*.....
Bodyshell.....
One Way Diff..... *Yes / No*.....
Front Tyres.....
Rear Tyres.....
Front Inserts.....
Rear Inserts.....
Tyre Additive..... *Yes / No*..... *Type*.....
Chassis/TopDeck..... *S1*..... *Carbon*.....
E.S.C.....
Cells.....
Receiver.....
Servo.....

Drivers Comments: