



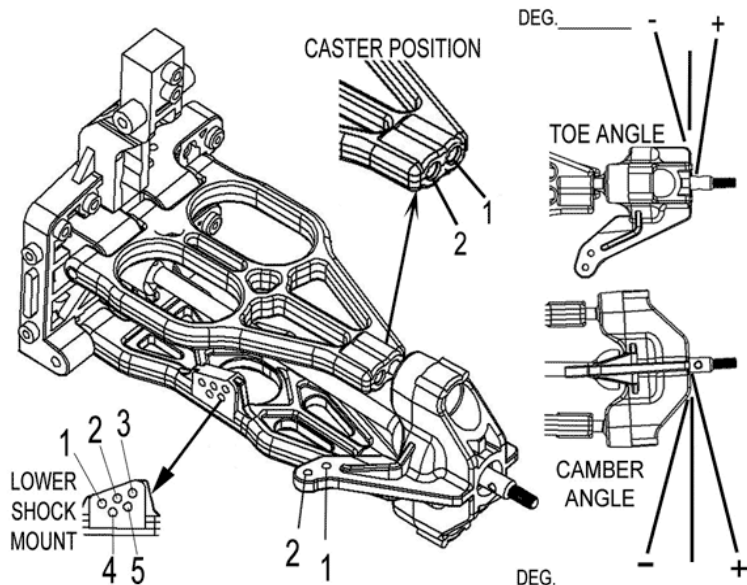
PILLOW BALL SUSPENSION SETUP SHEET

ITEM# 53868

DRIVER: _____ DATE: _____ AIR TEMP: _____ HUMIDITY: _____

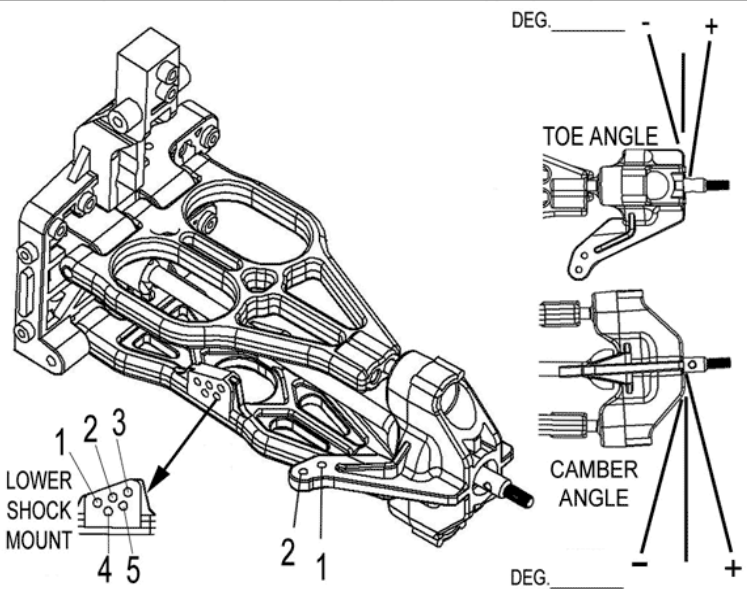
TRACK: _____ TRACK CONDITIONS: _____ TRACK TEMP: _____

FRONT



SHOCK TYPE:	RIDE HEIGHT:
SHOCK OIL:	DOWNTRAVEL:
SHOCK SPRING:	UPTRAVEL:
PISTON:	SHOCK LIMITERS:
TIRE:	WHEEL:
OFFSET:	INSERT:
NOTES:	

REAR



SHOCK TYPE:	RIDE HEIGHT:
SHOCK OIL:	DOWNTRAVEL:
SHOCK SPRING:	UPTRAVEL:
PISTON:	SHOCK LIMITERS:
TIRE:	WHEEL:
OFFSET:	INSERT:
NOTES:	

MEMO:

ENGINE:	GLOW PLUG:
PIPE:	MANIFOLD:
AIR FILTER:	FUEL:
SPUR GEAR:	PINION GEAR:
BODY:	WING:
DIFF. LUBE:	
BEST LAP:	