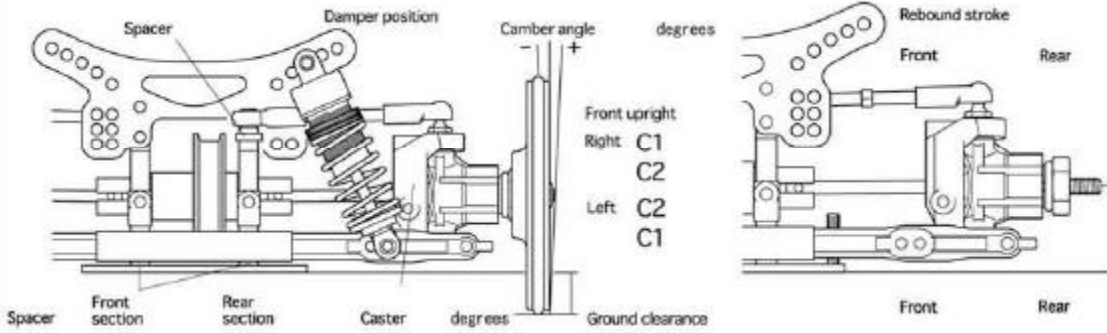


TRF414M SETTING SHEET

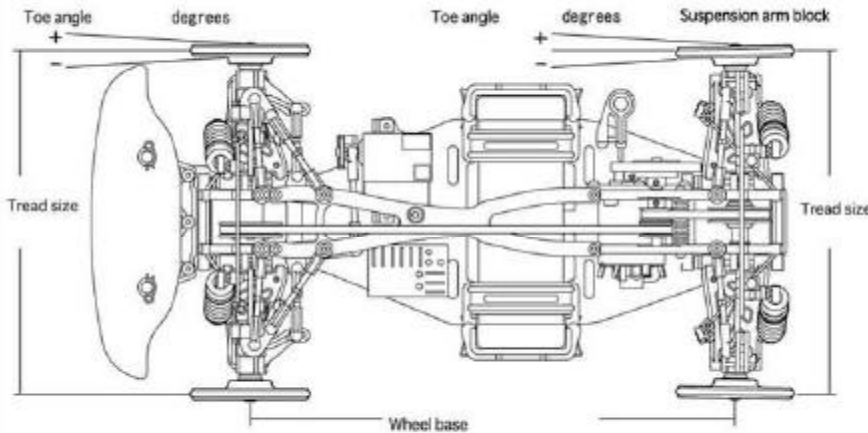
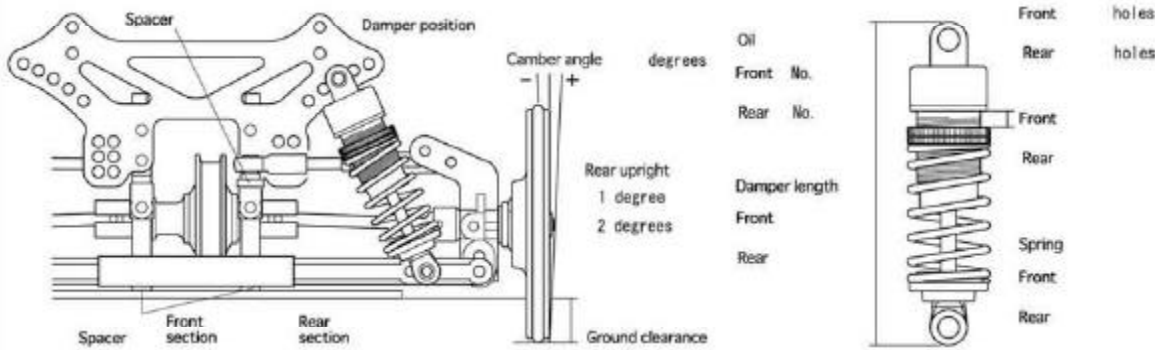
Name _____ Date _____ Air temp _____ Humidity _____

Track _____ Track condition _____ Track temp _____

(Front section) Front differential Front one-way



(Rear section) Center one-way Center direct pulley



Stabilizer
Front _____ Rear _____

Tire _____

Wheel _____

Inner _____

Inner hardness _____

Liquid for traction _____

Motor _____ Spur gear _____ Pinion gear _____
 Battery _____ Body _____
 Wing _____ Wing spacer _____

Memo