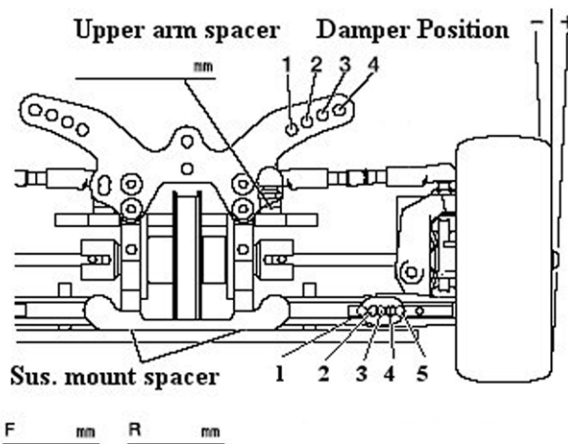


TRF415

SETTING SHEET [Lightweight suspension]

Name	Date	Air Temp	Humidity
Track	Track Condition	Track Temp	

[Front]



Camber Angle °

Ride Height mm

Drop mm

Front Drive
One-way Diff Spool

Roll-bar
None S M H

Castor Block
2deg 4deg

Notes



Shock Length mm

Piston holes

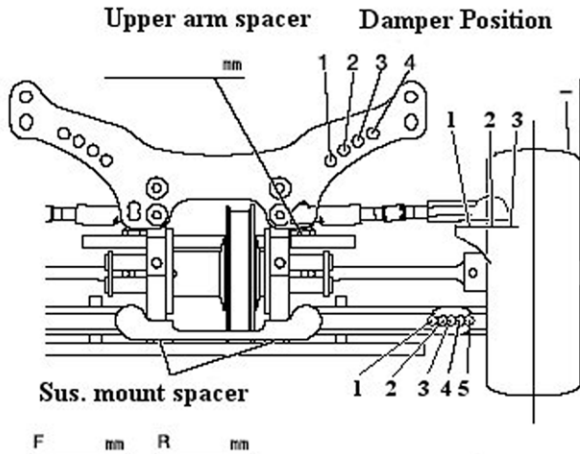
Oil wt.

Spring

Wheel Hex mm

Wheel Spacer mm

[Rear]



Centre drive
One-way Fixed

Camber Angle °

Ride Height mm

Drop mm

Roll-bar
None S M H

Outer ball joint shim mm

Notes



Shock Length mm

Piston holes

Oil wt.

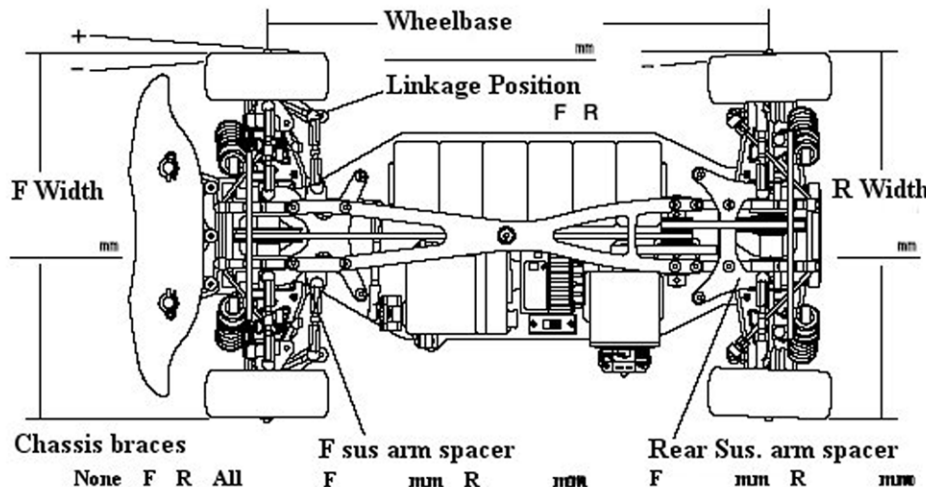
Spring

Wheel Hex mm

Wheel Spacer mm

Front Toe

F sus. mount	Front X A B C D	R sus. mount	Front X A B C D
	Rear A D		Rear X A B C D



Notes

Motor

Spur Pinion

T T

Battery

Speedo

Body

Wing

Tire

Insert

Wheel