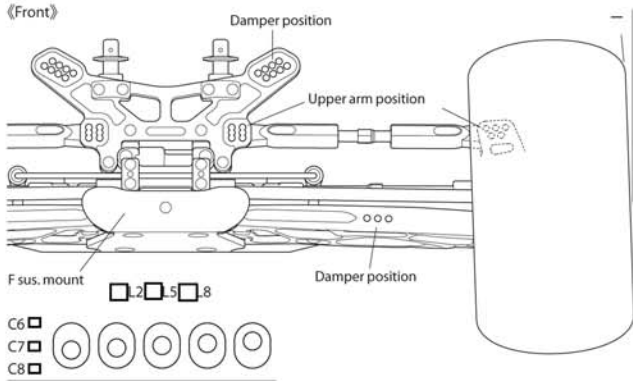


Name _____ Date _____ Air temp. _____ Humidity _____

Track _____ Track condition _____ Track temp. _____



— +

Camber angle _____ °

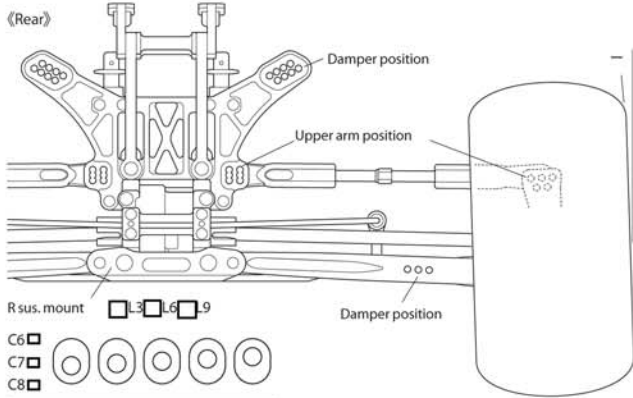
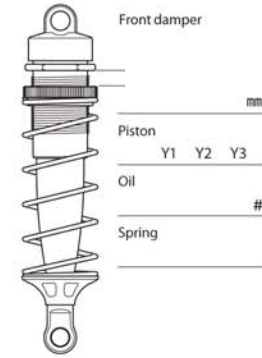
Ground clearance _____ mm

Rebound stroke _____ mm

Stabilizer _____

Front diff. fluid _____ #

Memo _____



— +

Camber angle _____ °

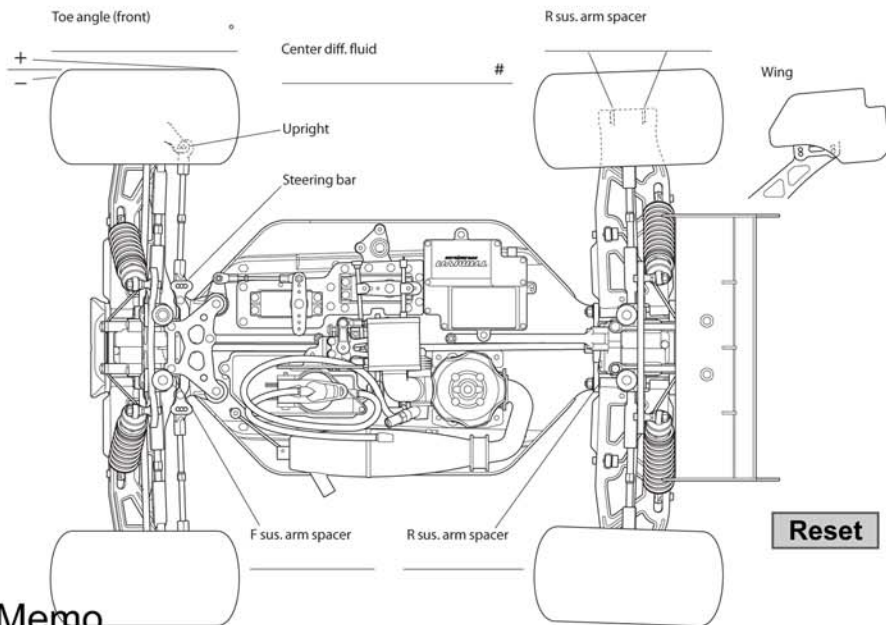
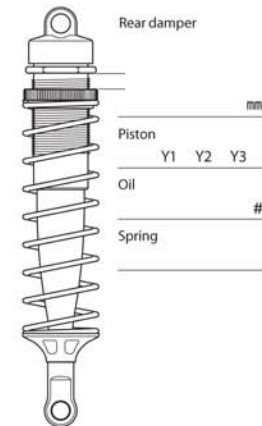
Ground clearance _____ mm

Rebound stroke _____ mm

Stabilizer _____

Rear diff. fluid _____ #

Memo _____



Memo

Engine _____

Plug _____

Spur gear _____ Pinion gear _____

Clutch spring _____

Muffler _____

Fuel _____

Tire _____

Wheel _____

Tire insert _____

Best lap _____

