



# Setup Sheet

Driver: \_\_\_\_\_

Date: \_\_\_\_\_

Track: \_\_\_\_\_

<input type="checkbox"/> Indoor	<input type="checkbox"/> Carpet	<input type="checkbox"/> Sealed
<input type="checkbox"/> Outdoor	<input type="checkbox"/> Concrete	<input type="checkbox"/> Smooth
<input type="checkbox"/> Tight / <input type="checkbox"/> Open	<input type="checkbox"/> Asphalt	<input type="checkbox"/> Rough

## Front Suspension (Circle or Check the Appropriate Settings)

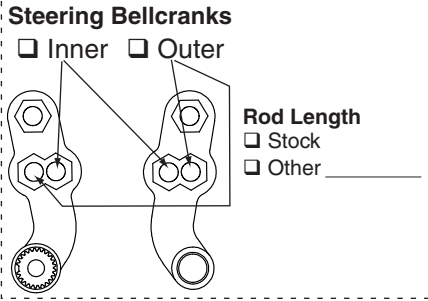
In  Out \_\_\_\_\_ °

Ride Height \_\_\_\_\_

Camber  -  + \_\_\_\_\_ °

Caster  Stock  Other \_\_\_\_\_ °

Sway Bar  No  Yes size \_\_\_\_\_



**Notes:**  
 \_\_\_\_\_  
 \_\_\_\_\_  
 \_\_\_\_\_

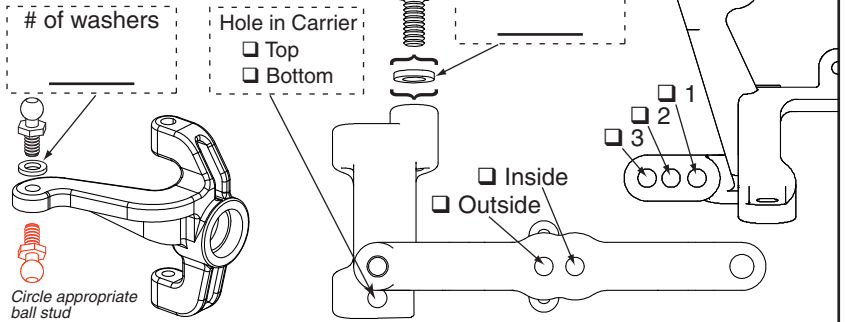
### Front Shocks

Oil: \_\_\_\_\_

Piston: \_\_\_\_\_  Standard /  Drilled

Spring: \_\_\_\_\_

Limiters:  Inside- \_\_\_\_\_  Outside- \_\_\_\_\_



## Rear Suspension

Toe-In  Inside  Outside \_\_\_\_\_ °

Ride Height \_\_\_\_\_

Camber  -  + \_\_\_\_\_ °

Pivot Support  No Shim  Shim Under Front  Shim Under Rear

Sway Bar  No  Yes size \_\_\_\_\_

**Notes:**  
 \_\_\_\_\_  
 \_\_\_\_\_  
 \_\_\_\_\_

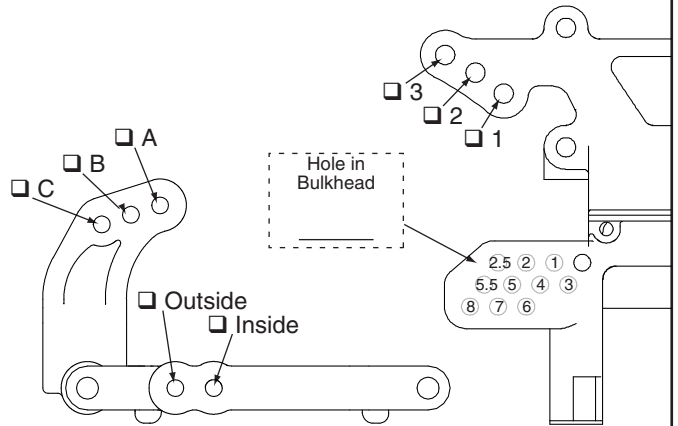
### Rear Shocks

Oil: \_\_\_\_\_

Piston: \_\_\_\_\_  Standard /  Drilled

Spring: \_\_\_\_\_

Limiters:  Inside- \_\_\_\_\_  Outside- \_\_\_\_\_



Tires \_\_\_\_\_ Compound \_\_\_\_\_ Foam \_\_\_\_\_ Length \_\_\_\_\_

Front: \_\_\_\_\_

Rear: \_\_\_\_\_

Clic ker Adjustment:  Locked  One-Way: \_\_\_\_\_

Battery Placement:  Back  Forward  Other: \_\_\_\_\_

Transponder Position: \_\_\_\_\_

Notes: \_\_\_\_\_

Motor: \_\_\_\_\_

Pinion: \_\_\_\_\_

Spur: \_\_\_\_\_

Tire Diameter: \_\_\_\_\_

Body: \_\_\_\_\_

Wing: \_\_\_\_\_

Size: \_\_\_\_\_