



Setup Sheet

Track: _____

MINI-T

Driver: _____

Date: _____

- | | | |
|----------------------------------|--|--------------------------------------|
| <input type="checkbox"/> Indoor | <input type="checkbox"/> Asphalt | <input type="checkbox"/> Slippery |
| <input type="checkbox"/> Outdoor | <input type="checkbox"/> Carpet | <input type="checkbox"/> High-Bite |
| <input type="checkbox"/> Smooth | <input type="checkbox"/> Dirt | <input type="checkbox"/> Blue-Groove |
| <input type="checkbox"/> Rough | <input type="checkbox"/> Tight / <input type="checkbox"/> Open | |

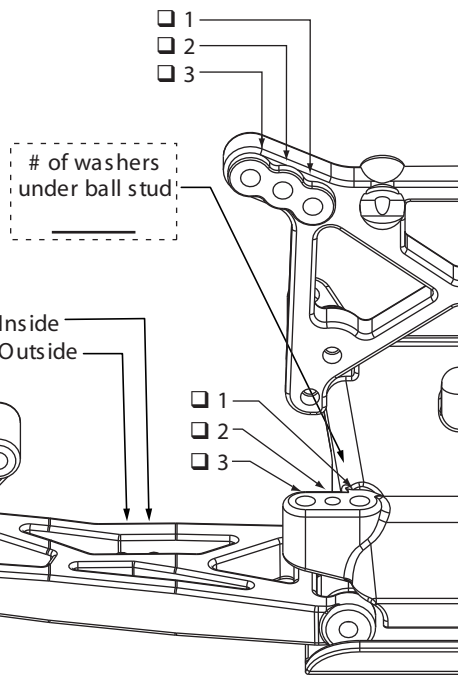
FRONT SUSPENSION (Circle or Check the Appropriate Settings)

Toe In _____ °
 Out _____ °

Ride Height _____

Camber - _____ °
 + _____ °

of washers under steering / tie-rod ball studs
Spindle ball stud: _____
Bellcrank ball stud: _____



Front Shocks Type: Friction / Oil Filled
Oil Weight: _____
Piston: _____ Standard / Drilled
Spring: _____ Type: Losi / Other _____
Limiters: Inside- _____ Outside- _____

REAR SUSPENSION

Toe-In Inside _____ °
 Outside _____ °

Ride Height _____

Camber - _____ °
 + _____ °

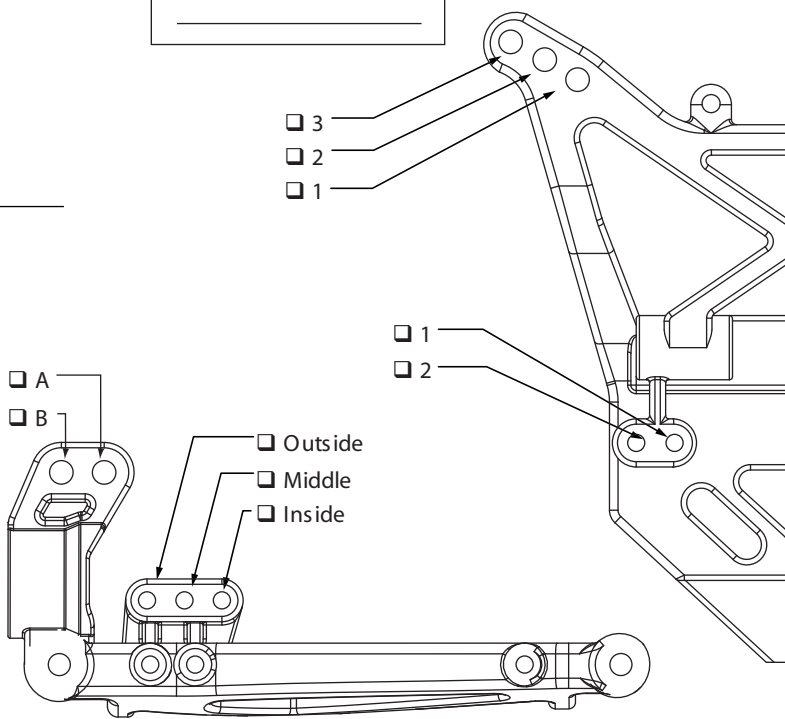
Drive Shafts Dogbones
 CVDs

Sway Bar No
 Yes size _____

Differential Type:
 Standard Gear
 Ball Differential

Rear Shocks Type: Friction / Oil Filled
Oil Weight: _____
Piston: _____ Standard / Drilled
Spring: _____ Type: Losi / Other _____
Limiters: Inside- _____ Outside- _____

Body: _____



Tires
Front: _____
Rear: _____

Electronics Standard / Other
Servo: _____ Receiver: _____
Speed Controller: _____
Battery: _____

Motor: _____ Pinion/Spur: ____/____
Battery Position: _____

Notes: _____