



SETUP SHEET

Track: _____

Driver: _____

Date: _____

-
- Indoor
-
-
- Outdoor

-
- Tight /
-
- Open

-
- Slick
-
-
- Loose Dirt
-
-
- Blue-Groove

-
- Smooth
-
-
- Rough
-
-
- Extra-Rough

FRONT SUSPENSION

(Circle or Check the Appropriate Settings)

 In _____ °
 Toe Out _____
Pivot Support: 5F(5°), 7.5F(7.5°), 10F(10°)
 Standard 42F 42R
 Overdrive 41F 42R
 Underdrive 42F 41R

Ride Height _____

Front Drive:

-
- Diff
-
-
- One-Way

Drive Shafts

-
- Dogbone
-
- Aluminum
-
-
- CVD
-
- Steel

 - _____ °
 Camber + _____

 Plastic
 Diff Steel

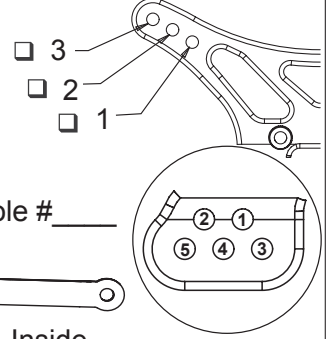
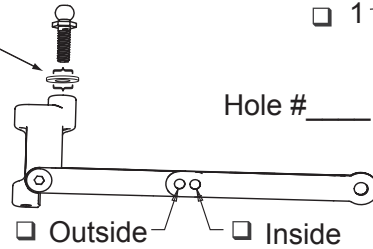
of washers _____

 Stock _____ °
 Caster Other _____

 No
 Sway Bar Yes size _____
of washers under steering/
tie-rod ball studs

Spindle ball stud: _____

Bellcrank ball stud: _____



Front Shocks

Oil: _____

Piston: _____ Standard / Drilled

Spring: _____

Internal Spring: _____

Limiters: Inside- _____ Outside- _____

Notes:

REAR SUSPENSION

Pivot Support: -IR(-1°), IR(1°), 3R(3°)
 Inside _____ °
 Toe-In Outside _____

Ride Height _____

 - _____ °
 Camber + _____

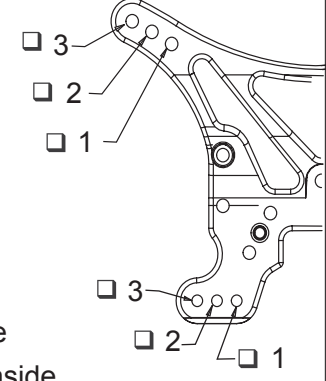
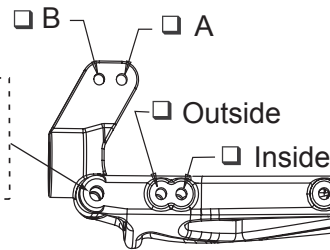
 Plastic Dogbone Aluminum
 Diff Steel CVD Steel
 Sliders Plastic

Drive Shafts

 NoSway Bar Yes size _____

Hub Spacing

-
- Forward
-
-
- Middle
-
-
- Back



Rear Shocks

Oil: _____

Piston: _____ Standard / Drilled

Spring: _____

Limiters: Inside _____ Outside- _____

Notes:

Tires:

Compound

Foam

Front: _____

Rear: _____

Wing Setup: _____

Motor: _____

Pinion: _____

Spur: _____

Battery Placement: Back Forward Other: _____

Transponder Position: _____

Notes: _____