



# SETUP SHEET

Driver: \_\_\_\_\_

Date: \_\_\_\_\_

Track:

Indoor

Outdoor

Tight /  Open

Carpet

Concrete

Asphalt

Sealed

Smooth

Rough

## FRONT SUSPENSION

(Circle or Check the Appropriate Settings)

In  
Toe  Out \_\_\_\_\_

Ride Height \_\_\_\_\_

-  
Camber  + \_\_\_\_\_

Kickup \_\_\_\_\_

Caster  Carrier \_\_\_\_\_

No  
Sway Bar  Yes size \_\_\_\_\_

Droop Height: \_\_\_\_\_

Pivot Support: \_\_\_\_\_

Arm Spacing

FWD

MDL

BACK

Front Drive:

Diff

One-Way

Standard

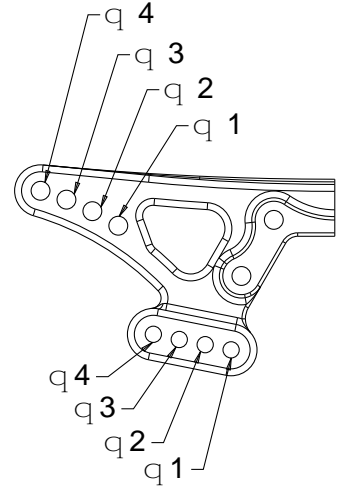
Overdrive

Underdrive

# of washers under steering/  
tie-rod ball studs

Spindle ball stud: \_\_\_\_\_

Bellcrank ball stud: \_\_\_\_\_



### Front Shocks

Oil: \_\_\_\_\_

Piston: \_\_\_\_\_  Standard /  Drilled

Spring: \_\_\_\_\_

Limiters:  Inside \_\_\_\_\_  Outside \_\_\_\_\_

### NOTES:

## REAR SUSPENSION

In  
Toe  Out \_\_\_\_\_

Ride Height \_\_\_\_\_

-  
Camber  + \_\_\_\_\_

No  
Sway Bar  Yes size \_\_\_\_\_

Droop Height: \_\_\_\_\_

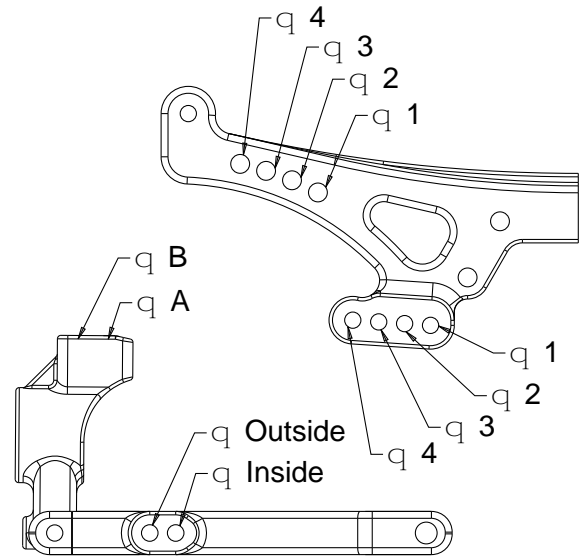
Pivot Support: \_\_\_\_\_

Arm Spacing

FWD

MDL

BACK



### Rear Shocks

Oil: \_\_\_\_\_

Piston: \_\_\_\_\_  Standard /  Drilled

Spring: \_\_\_\_\_

Limiters:  Inside \_\_\_\_\_  Outside \_\_\_\_\_

### NOTES:

Tires:

Compound

Foam

Length

Motor: \_\_\_\_\_

Front: \_\_\_\_\_

Pinion: \_\_\_\_\_

Rear: \_\_\_\_\_

Spur: \_\_\_\_\_

Battery Placement:  Back  Forward  Other: \_\_\_\_\_

Tire Diameter: \_\_\_\_\_

Transponder Position: \_\_\_\_\_

Body: \_\_\_\_\_

Notes: \_\_\_\_\_

Body Height: \_\_\_\_\_