

PILOTA \ DRIVER: _____ DATA \ DATE: _____

CIRCUITO \ CIRCUIT: _____

CONDIZIONI PISTA \ TRACK CONDITION: _____

TEMPERATURA \ TEMPERATURE: _____

AUTOMODELLO \ CAR : _____

CARROZZERIA \ BODY SHELL: _____

GOMME \ TYRES: _____

MOTORE \ MOTOR: _____

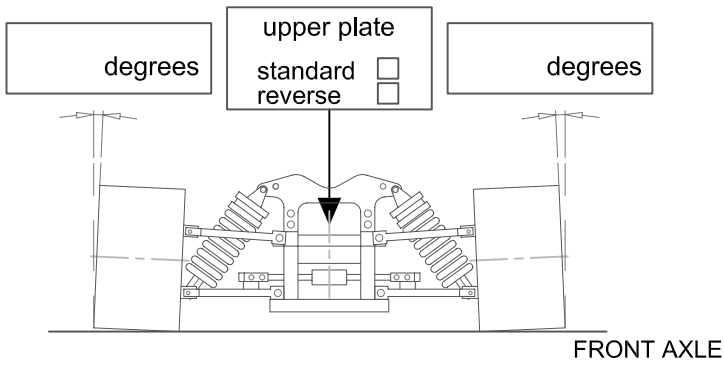
SERVOCOMANDI \ SERVOS: _____

RADIO \ TRANSMITTER: _____

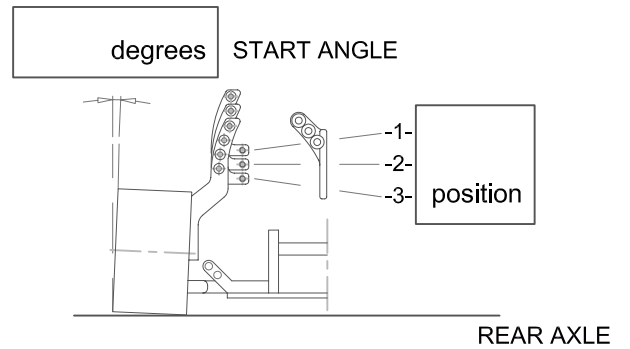
CARBURANTE \ FUEL MIX: _____

NOTE: _____

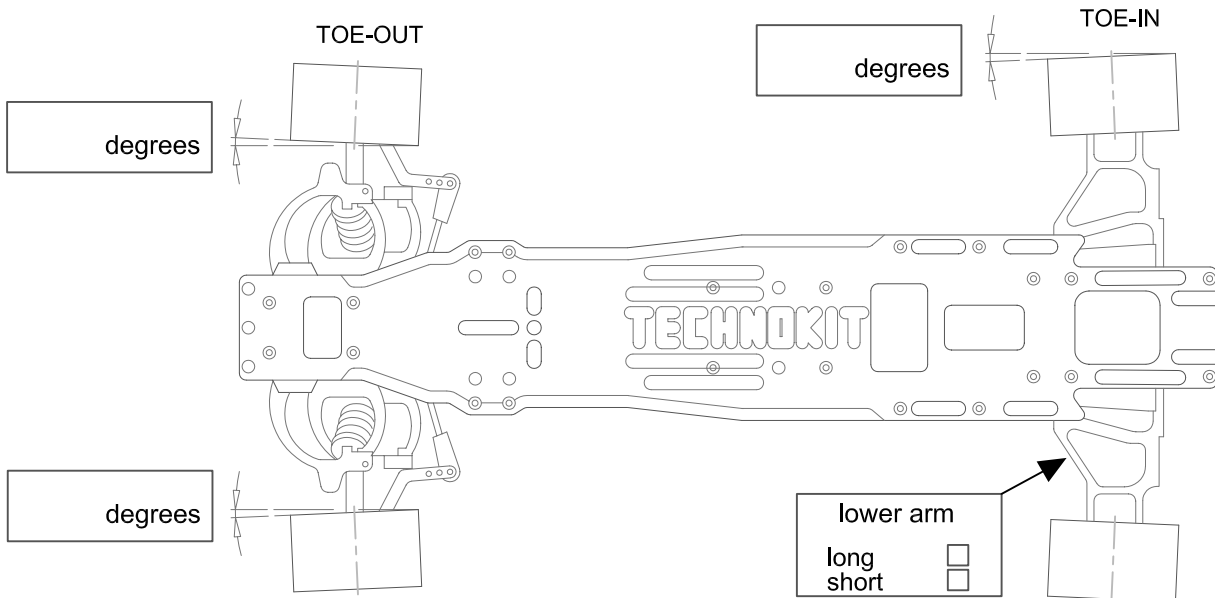
1) FRONT CAMBER STATIC POSITION



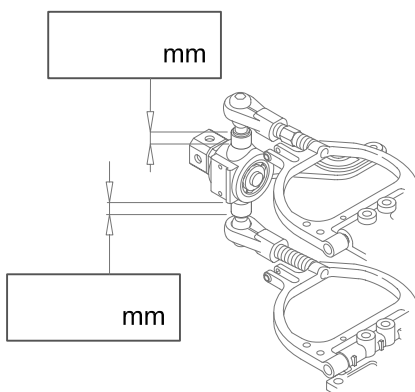
2) DINAMIC REAR CAMBER



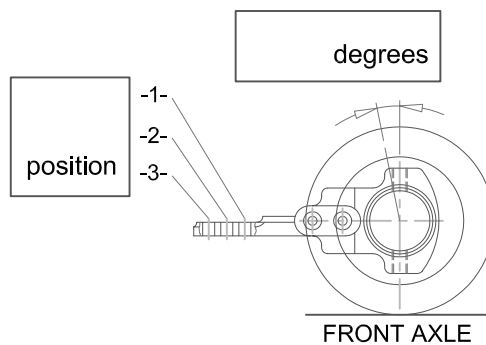
3) TOE OUT - TOE IN



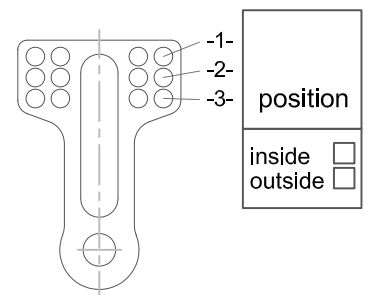
4) DINAMIC FRONT CAMBER



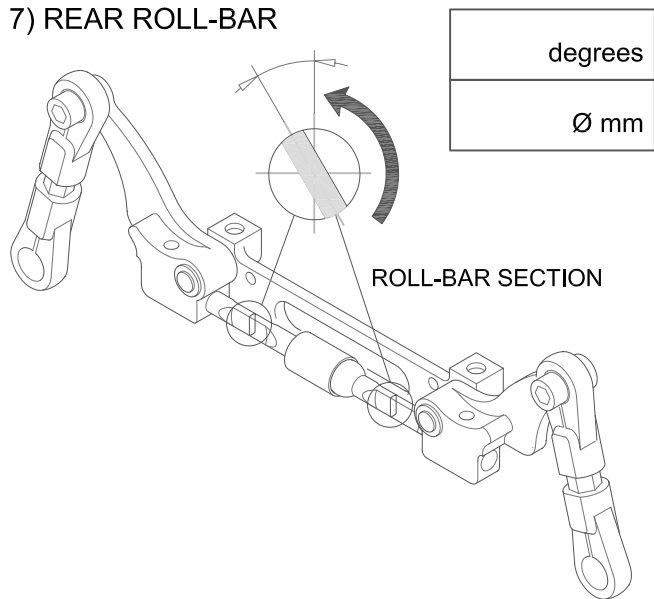
5) HAKERMAN ANGLE



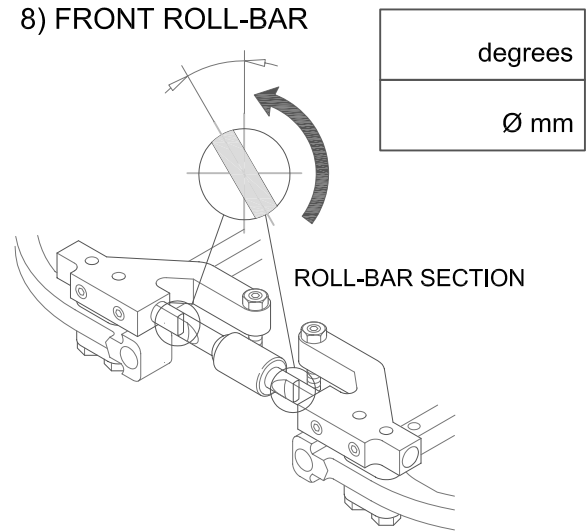
6) SERVO SAVER



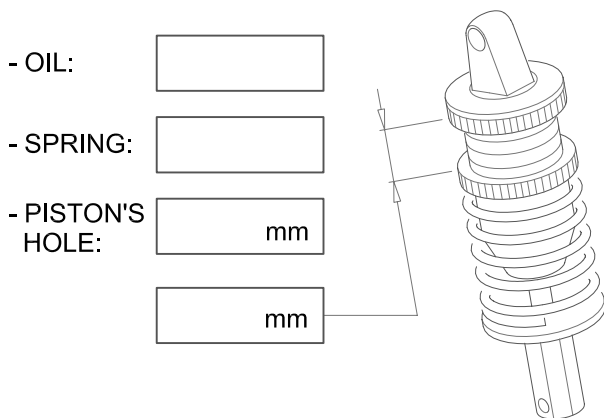
7) REAR ROLL-BAR



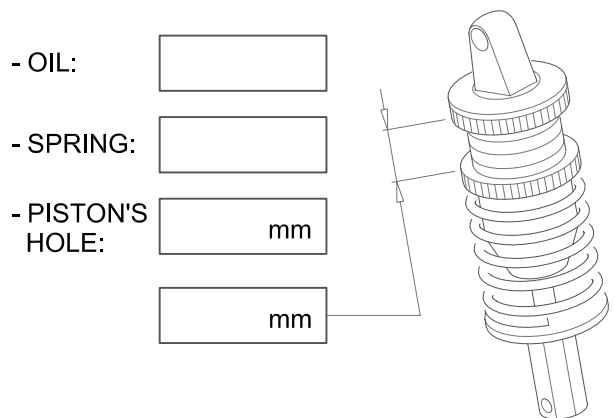
8) FRONT ROLL-BAR



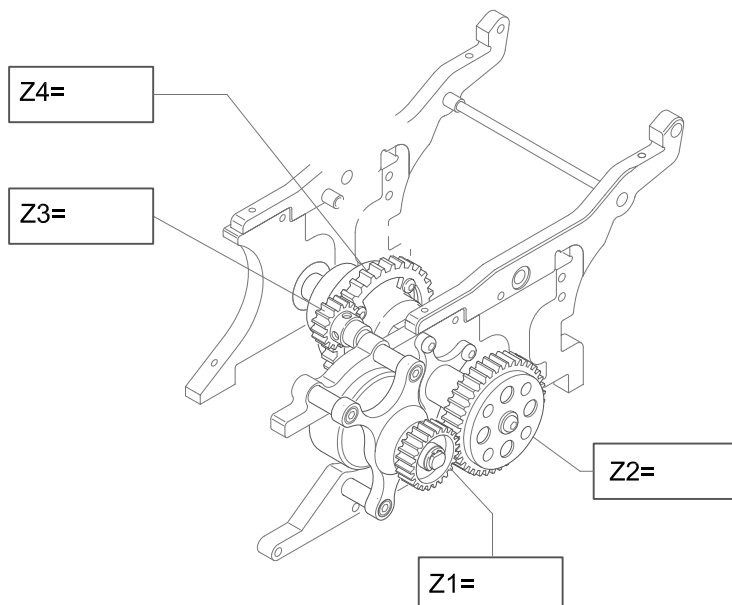
9) REAR SHOCK ABSORBER VR.2004



10) FRONT SHOCK ABSORBER VR.2004



11) MOTOR-WHEELS GEAR RATIO



Z1	Z2	Z3	Z4	GEAR RATIO SVILUPPO
23	40	15	48	4.94
24	40	15	48	4.87
25	40	15	48	4.80
23	40	16	48	4.74
24	40	16	48	4.67
25	40	16	48	4.60

