

TRINITY

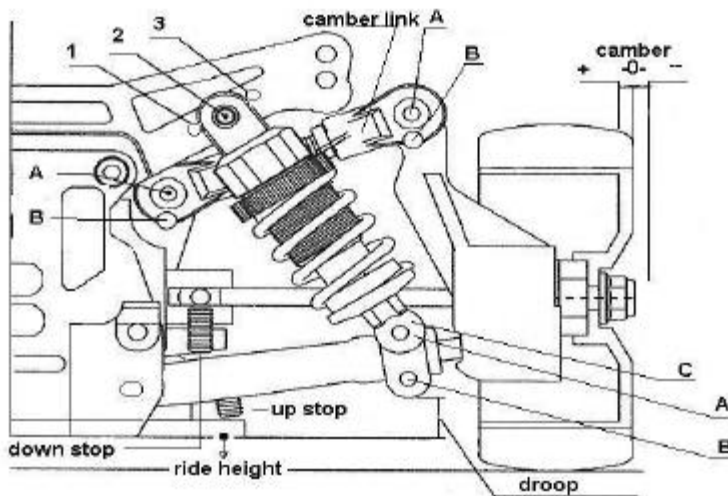
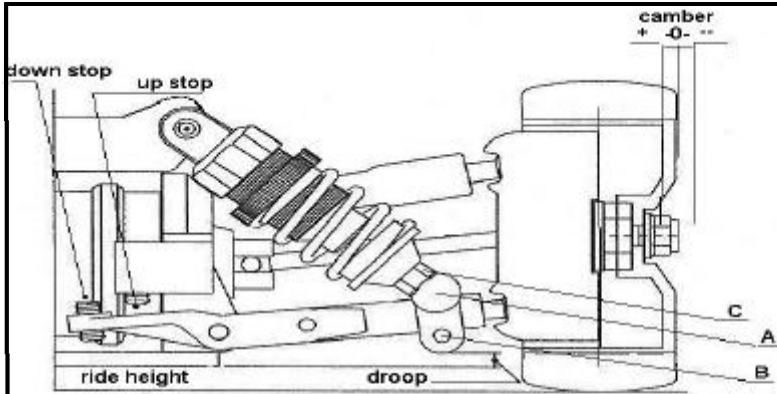
Reflex NT Set up Sheet



36 Meridian Road Edison N.J. 08820
732 635 1600 / 732 635 1640

DRIVER _____ DATE _____
TRACK _____ TEMP _____

CONDITION _____



FRONT SUSPENSION

CASTER SHIM FRONT _____ REAR _____
CAMBER: + _____ - _____ -0-
TRACK WIDTH _____ MM
RIDE HEIGHT _____ MM
SHOCK LOCATION (LOWER ARM) A/B (CIRCLE ONE)
SHOCK END LENGTH _____ MM (C)
UP STOP _____
DOWN STOP _____
SWAY BAR: NONE _____ MM
TOE IN _____ TOE OUT _____
DIFF FLUID _____ WT
DROOP _____

REAR SUSPENSION

TRACK WIDTH _____ MM
CAMBER + _____ - _____
RIDE HEIGHT _____ MM
SHOCK END LENGTH _____ MM (C)
SHOCK LOCATION (lower arm) A/B (circle one)
SHOCK TOWER LOCATION: 1 2 3 (CIRCLE ONE)
CAMBERLINK INNER: A/B (CIRCLE ONE)
CAMBERLINK OUTER: A/B (CIRCLE ONE)
UP STOP _____
DOWN STOP _____
SWAY BAR NONE _____ MM
TOE IN _____ degree
A-ARM LOCATION F/M/R (CIRCLE ONE)
DIFF FLUID _____ WT
DROOP _____

Clutch Type _____
Shoes Cut _____
Clutch Spring _____



REAR SHOCK: BLADDER Y/N

OIL _____ WT
SPRING _____
PISTON _____
LENGTH _____

FRONT SHOCK: BLADDER Y/N

OIL: _____ WT
SPRING _____
PISTON _____
LENGTH _____

TIRE: TYPE _____ WHEEL _____ OFFSET _____
COMPOUND FRONT _____ COMPOUND REAR _____
ENGINE _____ PLUG _____ FUEL _____ %

BODY TYPE _____ REAR SPOILER _____

PIPE _____ HEADER _____ LENGTH _____

GEAR RATIO: PINION/SPUR

1st P _____ /S _____
2nd P _____ /S _____

DRIVE RATIO: 2.52

FINAL DRIVE _____

REFLEX NT :

SPECS: Length: (375mm)

Width: (199mm)

Wheel base : (263mm)

Front/Rear Track: 6.8 in (172mm)

Height: (102mm)