

# SET-UP SHEET

<b>RACE</b>		
<b>TRACK</b>		
<b>NAME</b>		
<b>CITY / COUNTRY</b>		
<b>CONTACT</b>		

<b>DATE</b>		
TEMPERATURE / $t_{\text{for } ^\circ\text{C}}$	AIR	TRACK

<b>QUALIFYING POSITION</b>	<b>BEST LAPTIME / sec</b>	<b>FINAL POSITION</b>	<b>RACE LENGTH / minutes</b>

<b>TRACK CONDITION</b>	<input type="checkbox"/> CARPET	<input type="checkbox"/> ASPHALT
	<input type="checkbox"/> TECHNICAL	<input type="checkbox"/> MIXED
	<input type="checkbox"/> FAST	
<b>TRACTION</b>		
	<input type="checkbox"/> LOW	<input type="checkbox"/> MEDIUM
	<input type="checkbox"/> HIGH	

SHOCK ABSORBER	
SPRING	
OIL / cSt	
REBOUND %	

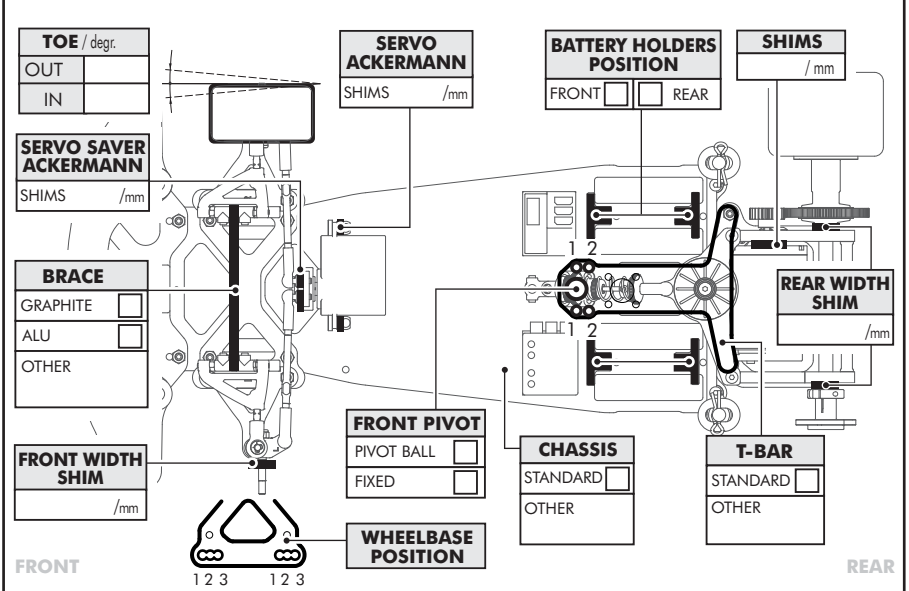
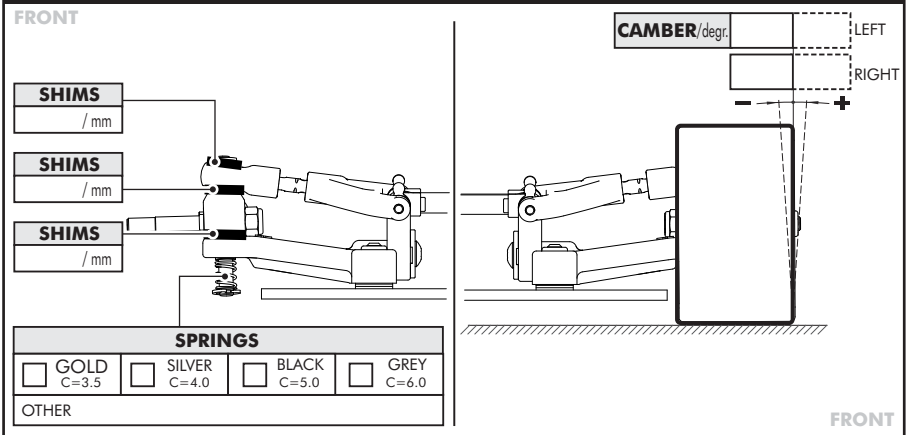
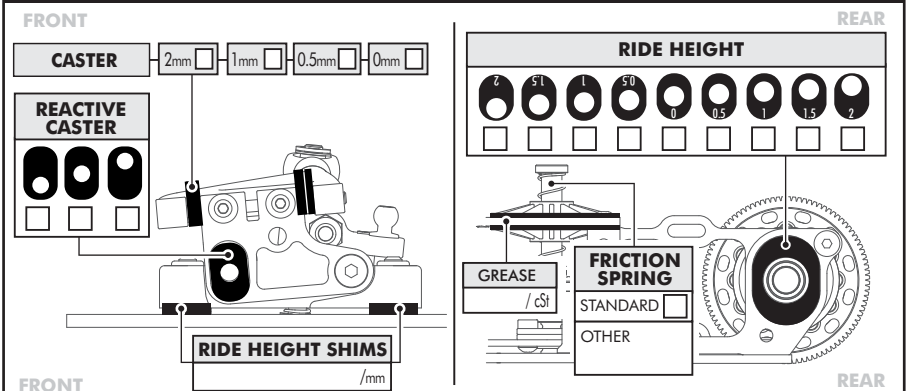
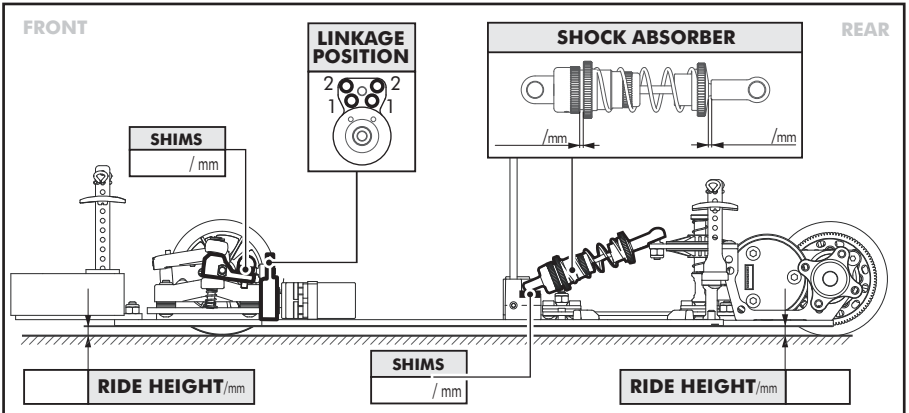
FRONT		REAR	
		<b>TIRES</b>	
		DIAMETER/mm	
		ADDITIVE	
		ADDITIVE timing	
FRONT LEFT	FRONT RIGHT	REAR LEFT	REAR RIGHT
ADDITIVE TREATED AREA			

TRANSMISSION	
DIFF SETTING	
<input type="checkbox"/> LOOSE	<input type="checkbox"/> MEDIUM
<input type="checkbox"/> TIGHT	
PINION / T	SPUR GEAR/T
FINAL DRIVE RATIO	ROLLOUT

BRUSHED MOTOR	
BRAND	
ARMATURE	
	<input type="checkbox"/> SPRING
	<input type="checkbox"/> BRUSH COMP.

BRUSHLESS MOTOR	
BRAND	
TURN	
ROTOR	
TIMING	

<b>ESC</b>		
<b>ESC SETTING</b>	PROGRAM <input type="checkbox"/>	PUNCH <input type="checkbox"/>
	INITIAL BRAKE <input type="checkbox"/>	AUTO BRAKE <input type="checkbox"/>
<b>BATTERIES</b>		
<b>BODY</b>		



COMMENTS